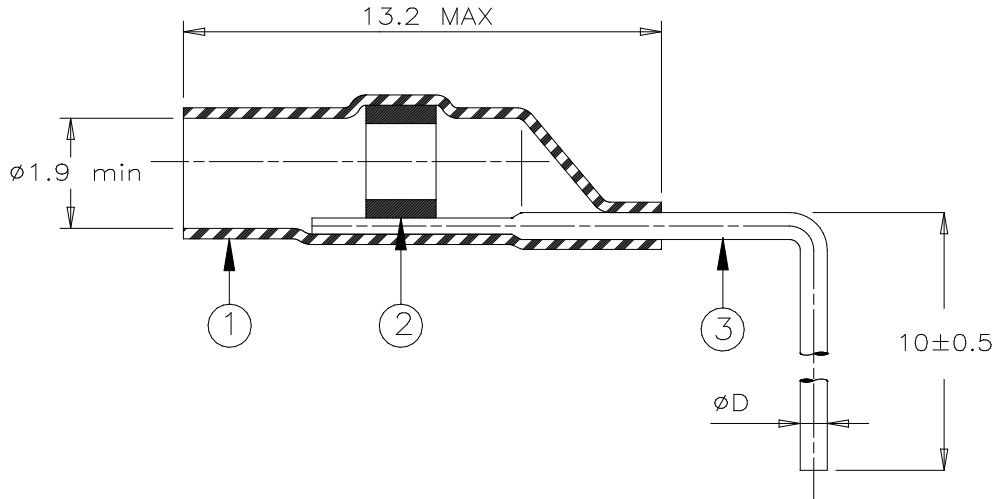


CUSTOMER DRAWING



Product Name	ϕD	ϕX
B-801-06	0.68	0.8
B-801-08	0.88	1

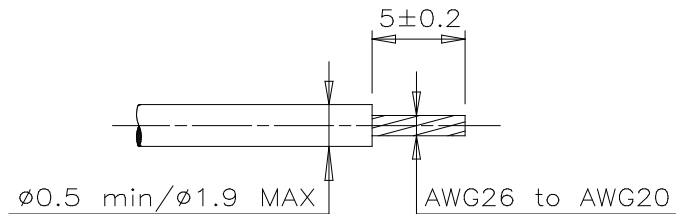
MATERIALS


- INSULATION SLEEVE: Heat-shrinkable, transparent blue, radiation cross-linked modified polyvinylidene fluoride.
- SOLDER PREFORM WITH FLUX:
SOLDER: TYPE Sn62 Pb36 Ag2 per ANSI-J-STD-006.
FLUX: TYPE ROL0 per ANSI-J-STD-004.
- PIN: Phosphor bronze coated with Sn60 Pb40 solder alloy.

APPLICATION

- These controlled soldering devices are designed for termination of a tin or silver plated stranded AWG26, AWG24 and AWG22 conductor having an insulation rated for at least +125°C on a PC board with ϕX diameter hole. If AWG20 wire is used, pre-tinning is recommended.
- Temperature range: -55°C to +150°C. For application tooling, contact your local TE Connectivity technical service.

For best results, prepare the wire as shown:



		Raychem THERMOFIT DEVICES		TITLE: PINPAK* DEVICE FOR PCB TERMINATION		
				DOCUMENT NO.: B-801-0X		
Unless otherwise specified dimensions are in millimeters. [Inches dimensions are shown in brackets]						
TOLERANCES: 0.00 N/A 0.0 N/A 0 N/A		ANGLES: N/A ROUGHNESS IN MICRON		TE Connectivity reserves the right to amend this drawing at any time. Users should evaluate the suitability of the product for their application.		
DRAWN BY: M. FORONDA		DATE: 22-Mar-1999				
				SCALE: NTS		DATE: 09-Mar-2020
				SIZE: A		SHEET: 1 of 1

© 09-Mar-2020 Tyco Electronics Corporation. All rights reserved.

If this document is printed it becomes uncontrolled. Check for the latest revision.

*TE Connectivity, TE connectivity (logo), Raychem, THERMOFIT, SolderSleeve are trademarks

单击下面可查看定价，库存，交付和生命周期等信息

[>>TE Connectivity\(泰科\)](#)