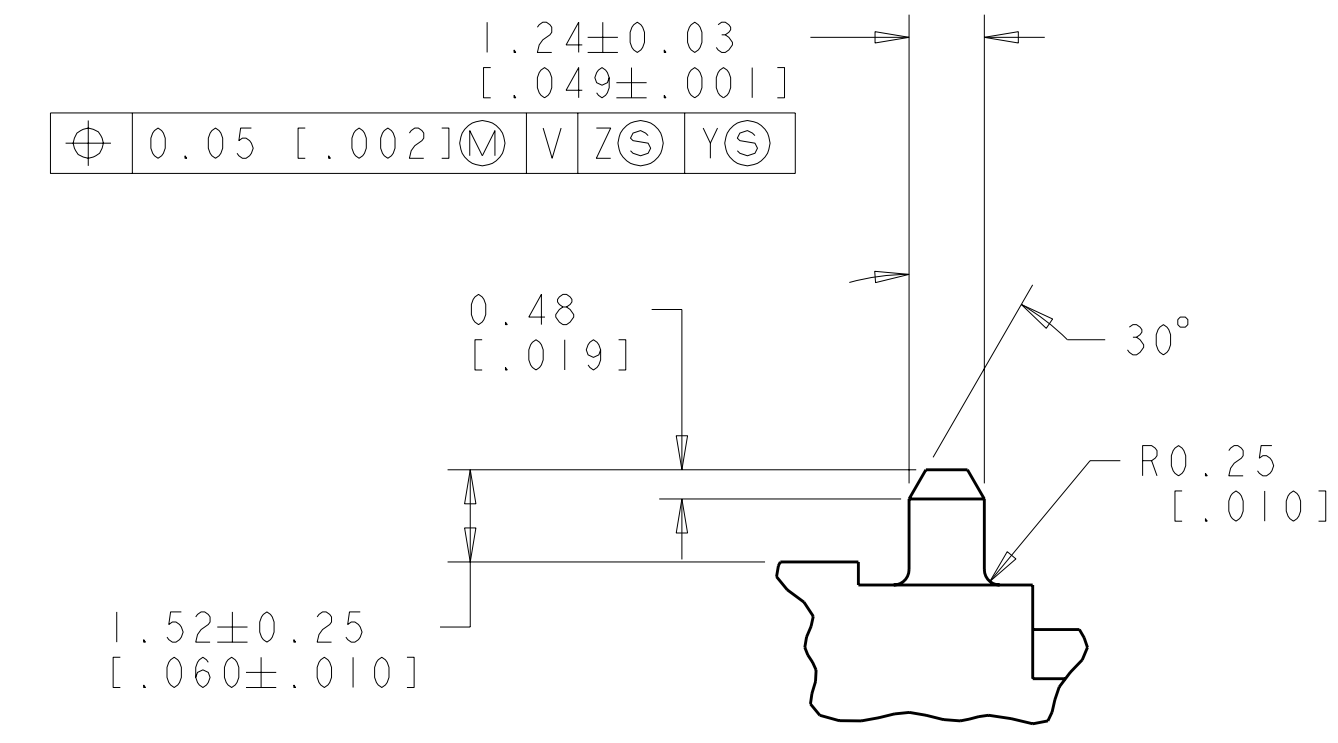
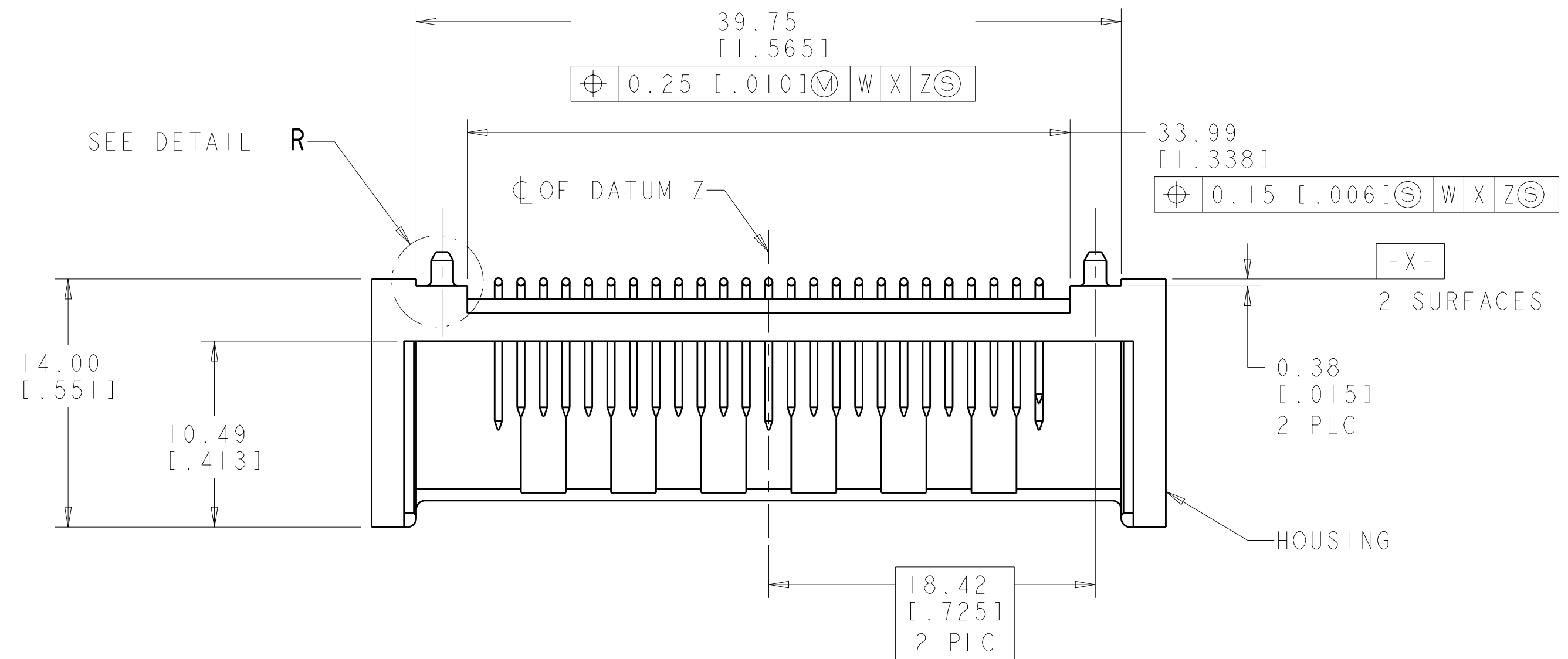
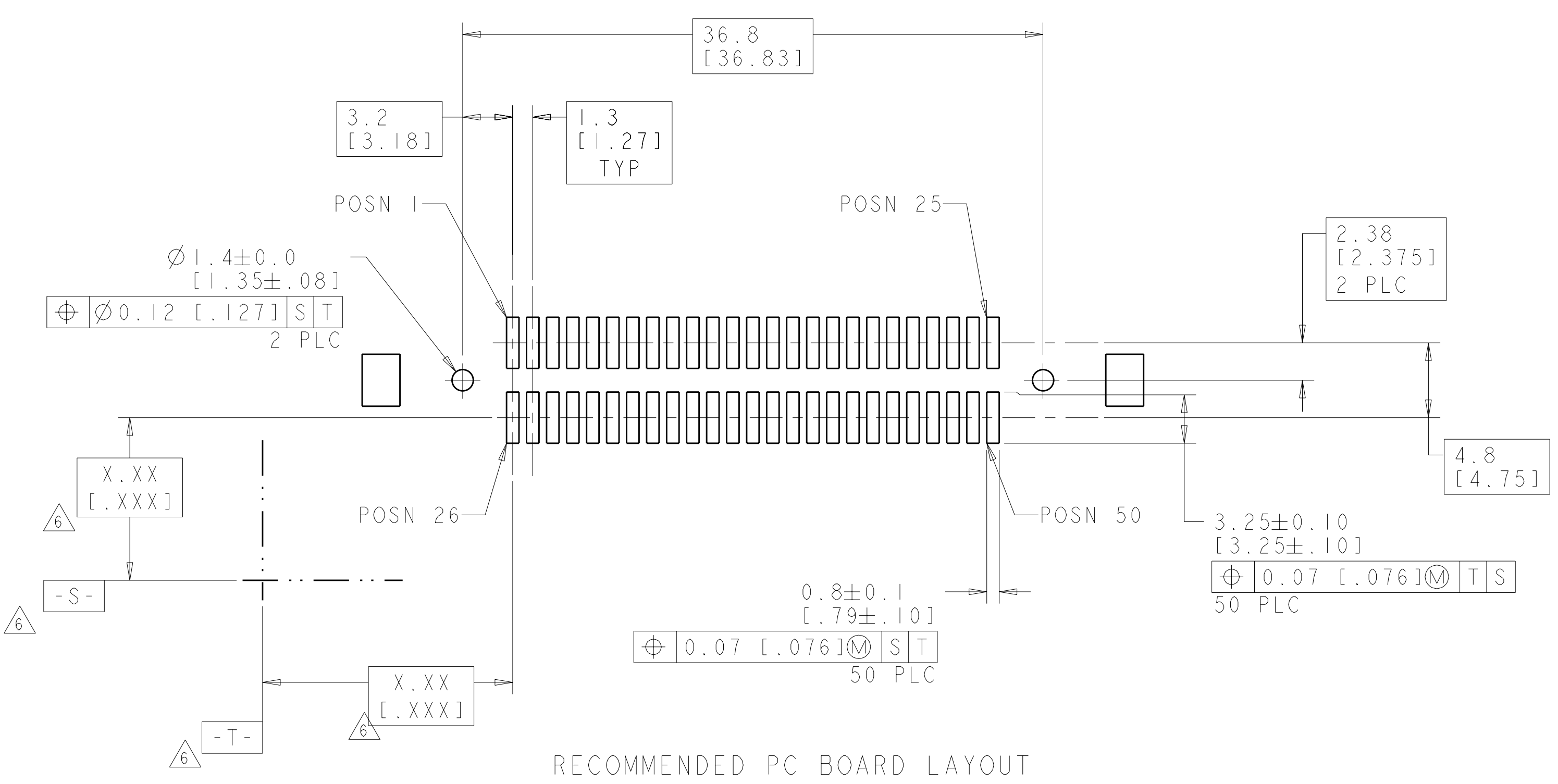
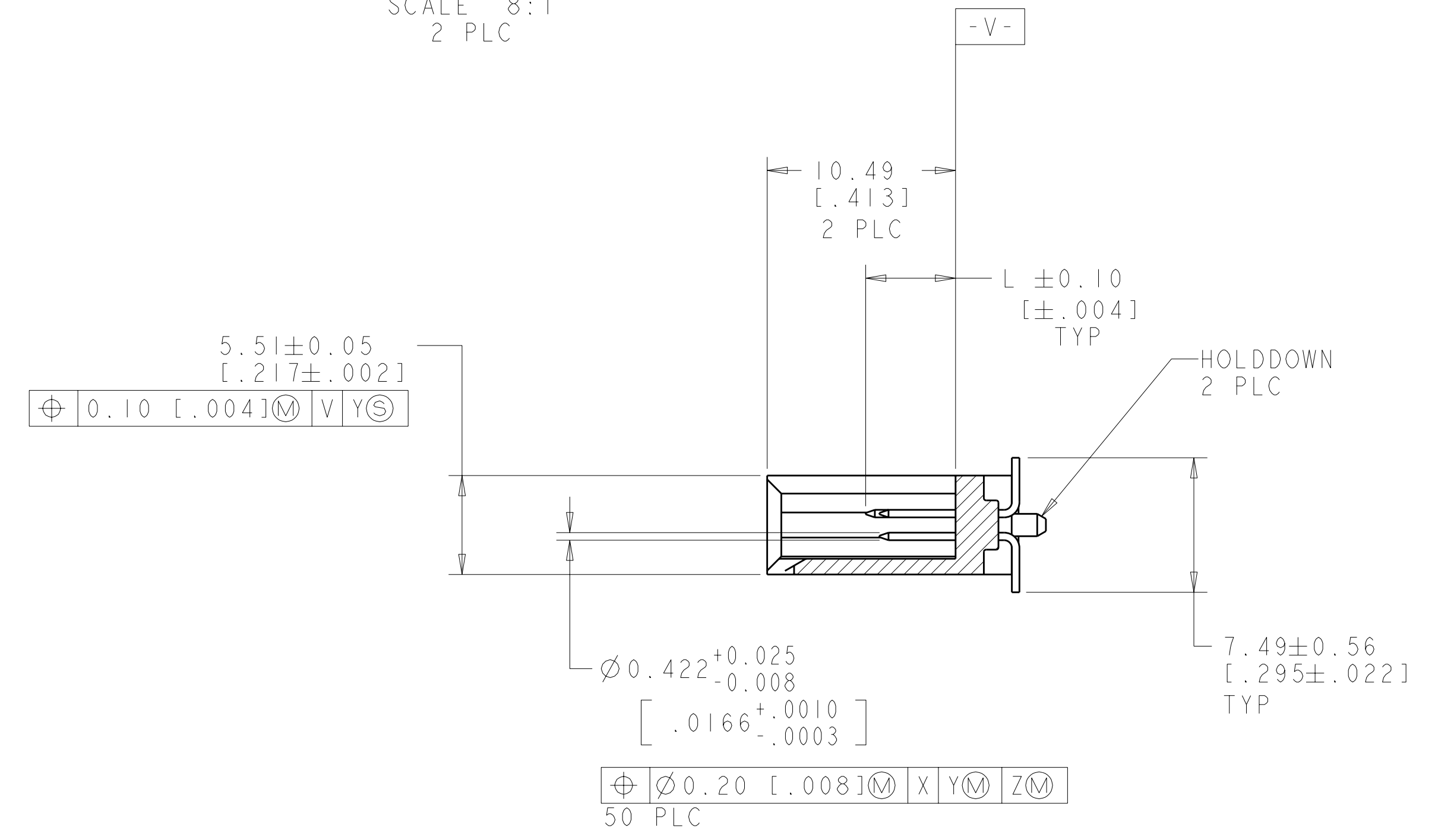
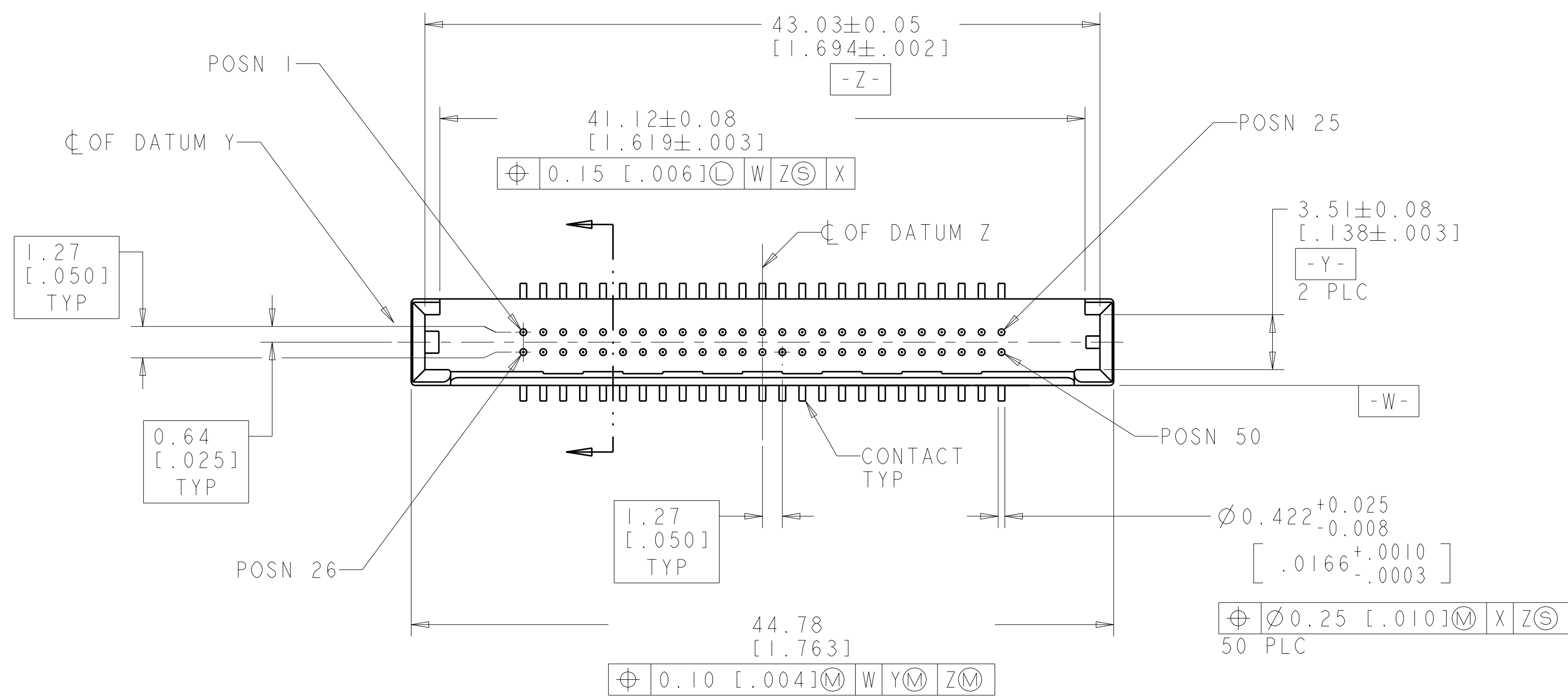


LOC	DIST	REV	DATE	BY	APP'D
GP	00	A	17 JUL 2009	CR	DG
		A1	30 JUN 2010	CJV	DLG



DETAIL R
SCALE 8:1
2 PLC



- 1 HOUSING: POLYESTER LCP, BLACK. CONTACTS: BRASS.
- 2 CONTACTS: 0.76µm [.000030] MIN GOLD FOR A LENGTH OF 3.51 [.138] MIN IN CONTACT AREA, 3.81µm [.000150] MIN TIN FOR A LENGTH OF 2.0 [.079] MIN ON SOLDER TAILS, ALL OVER 1.27µm [.000050] MIN NICKEL.
- 3 DIMENSION APPLIES TO POSITIONS 25 AND 26.
- 4 DIMENSION APPLIES TO POSITIONS 2 THRU 12, 14 THRU 24, 27 THRU 37 AND 39 THRU 49.
- 5 DIMENSION APPLIES TO POSITIONS 1, 13, 38 AND 50.
- 6 DATUMS AND BASIC DIMENSIONS ESTABLISHED BY CUSTOMER.

5.00 [.197] 5	4.24 [.167] 4	3.51 [.138] 3	5788643-1
L			PART NUMBER

DIMENSIONS: mm [INCHES]		TOLERANCES UNLESS OTHERWISE SPECIFIED:		DWN G. PETERS 25NOV05 CHK D. GORENC 25NOV05 APVD M. WALMSLEY 25NOV05		Tyco Electronics Harrisburg, PA 17105-3608	
9 PLC ± 1 PLC ± 5 PLC ±0.13 (1.005) 4 PLC ± ANGLES ±	2	WEIGHT CUSTOMER DRAWING	SIZE CAGE CODE DRAWING NO A100779C=5788643	RESTRICTED TO	SCALE 4:1	SHEET 1 OF 1	REV A1

单击下面可查看定价，库存，交付和生命周期等信息

[>>TE Connectivity\(泰科\)](#)