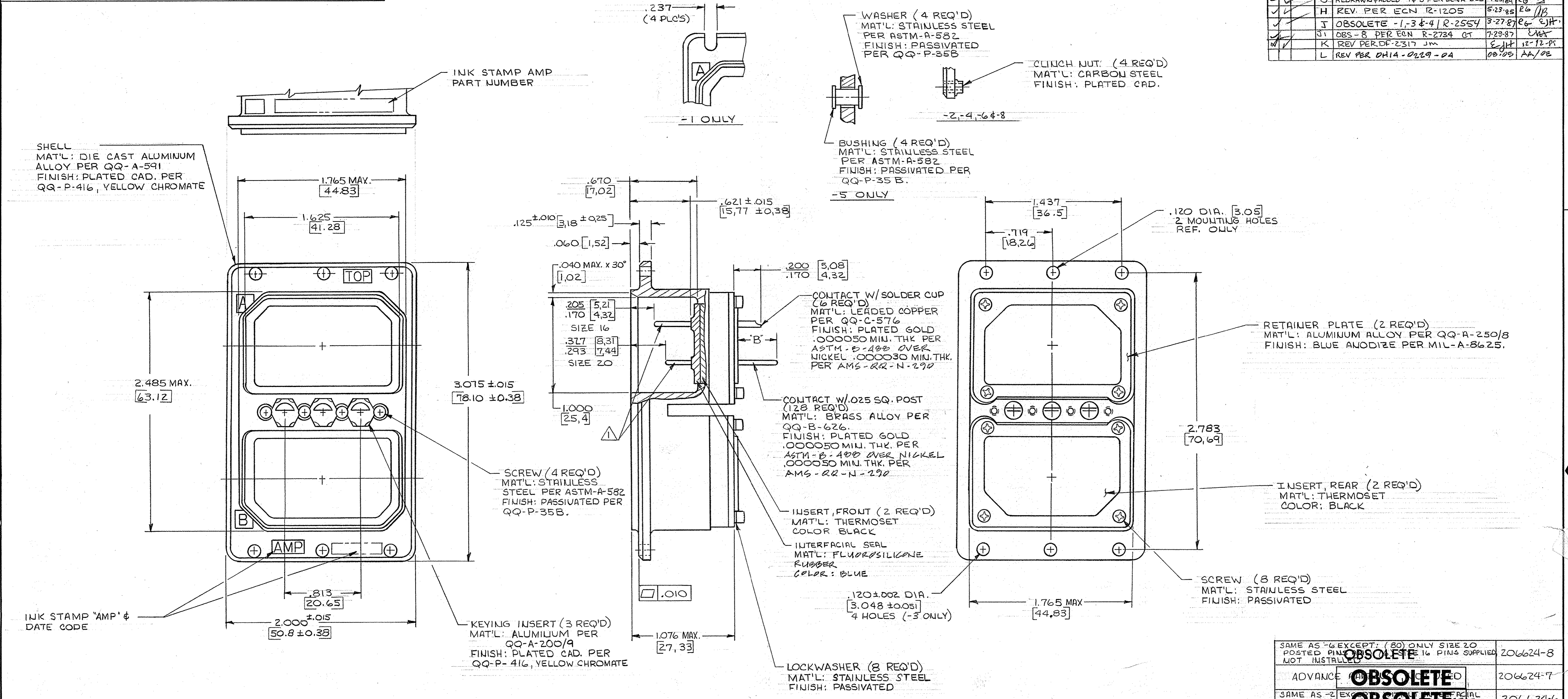


P		F		Z		L		R		T		R		E		V		I		S	
ZONE		L		T		R		E		V		I		S		DATE		APPROVED		LOC	
✓	✓	G															6/25/84	Rg	By		
✓	✓	H															5/23/85	Rg	By		
✓	✓	J															3-27-87	Rg	By		
✓	✓	K															7-29-87	EM	By		
✓	✓	L															8/11/87	EM	By		
																	08/05	AA	By		



- CONTRACTS ARE ASSEMBLED IN POSITION FOR SHIPMENT.
- FOR MATING CONNECTOR ORDER RM2P675675.
- FOR ADDITIONAL ORDERING INFORMATION SEE DWG. 205102.
- CONNECTOR MEETS AMP PRODUCT SPEC. 108-10,019.

SAME AS -6 EXCEPT: (80) ONLY SIZE 20 POSTED PINS. 16 PINS SUPPLIED NOT INSTALLED.	OBSELETE	206624-8
ADVANCE	OBSELETE	206624-7
SAME AS -2 EXCEPT: SPECIAL SEAL CAVITY. SPECIAL INSERT FACE POLARIZATION.	OBSELETE	206624-6
SAME AS -3 EXCEPT: WITH FLOATING BUSHINGS	OBSELETE	206624-5
SAME AS -3 EXCEPT: WITH CLINCH NUTS POSTED CONTACTS.	OBSELETE	206624-4
AS SHOWN WITH POSN.	OBSELETE	206624-3
SAME AS -3 EXCEPT: WITH CLINCH NUTS AND POLARIZATION "44"	OBSELETE	206624-2
SAME AS -3 EXCEPT	OBSELETE	206624-1

206624-8	.445/.415
206624-7	—
206624-6	.445/.415
206624-5	.445/.415
206624-4	.650/.610
206624-3	.445/.415
206624-2	.445/.415
206624-1	.445/.415
PART NO.	'B' DIM.

UNLESS OTHERWISE SPECIFIED DIMENSIONS ARE IN INCHES.
 TOLERANCES ON:
 DECIMALS ± .005
 ANGLES ±

CONTRACT NO. 6-25-84

DR. R. Grybowski

CHK. B.D. York 6-27-84

APPD. B. Baulhann 6-28-84

APPD. H. S. S. 6-28-84

OTHER APPD.

NAME: CONNECTOR ASSEMBLY, DUAL RECEPTACLE, SPECIAL W/ .025 SQ. POSTED PIN CONTACTS

SIZE: D FSCM NO: 00779 DRAWING NO: 206624

SCALE: N.T.S. SHEET: 1 of 1

单击下面可查看定价，库存，交付和生命周期等信息

[>>TE Connectivity\(泰科\)](#)