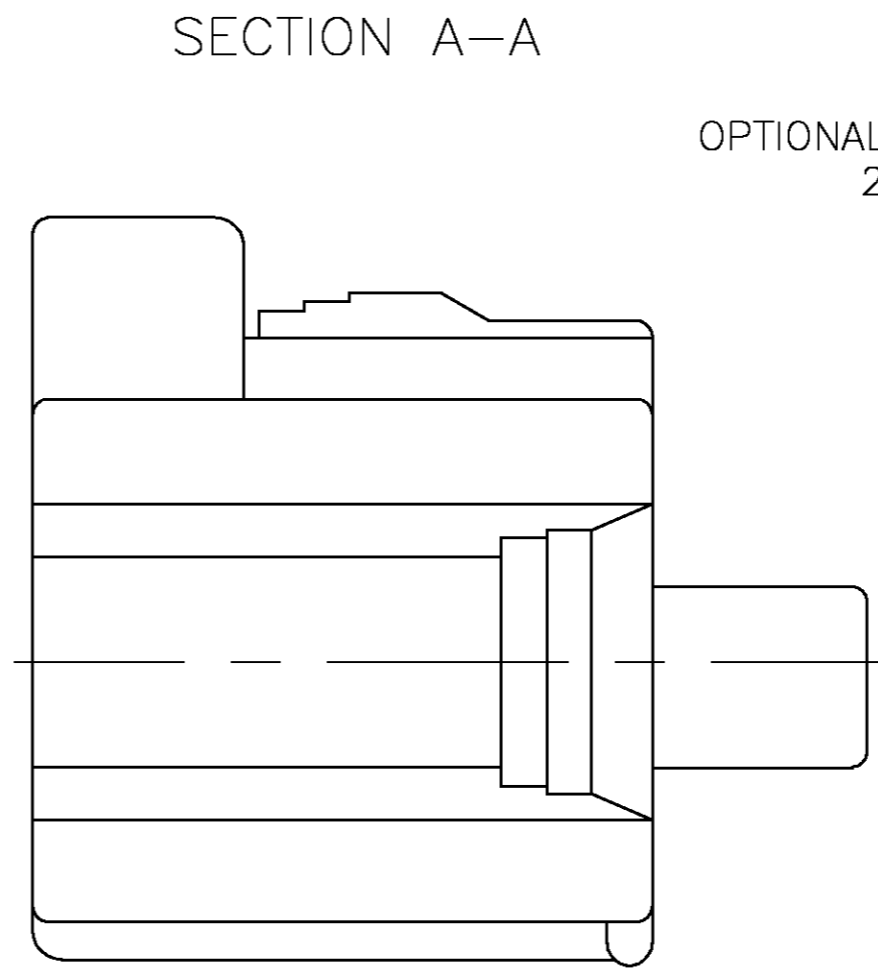
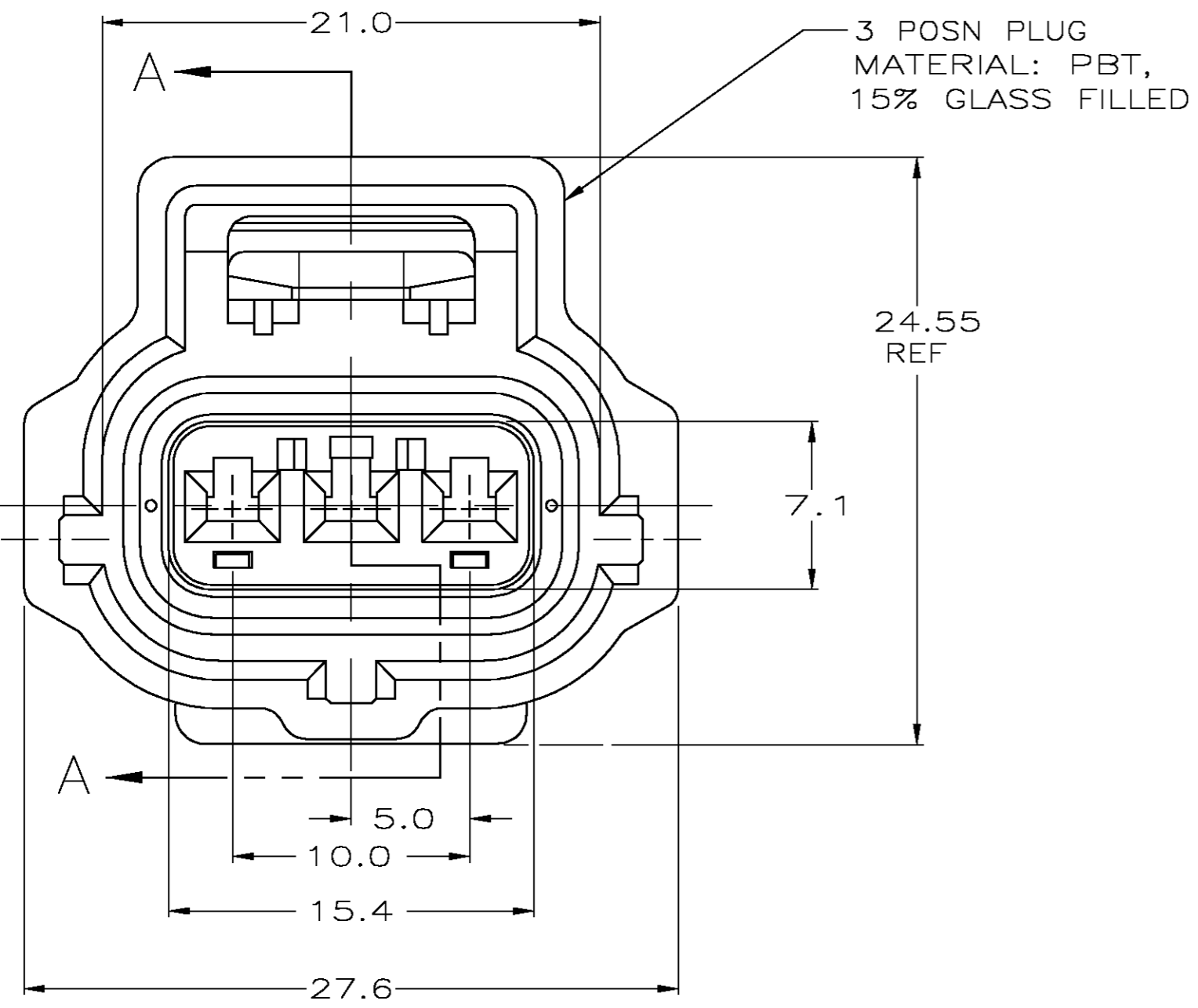
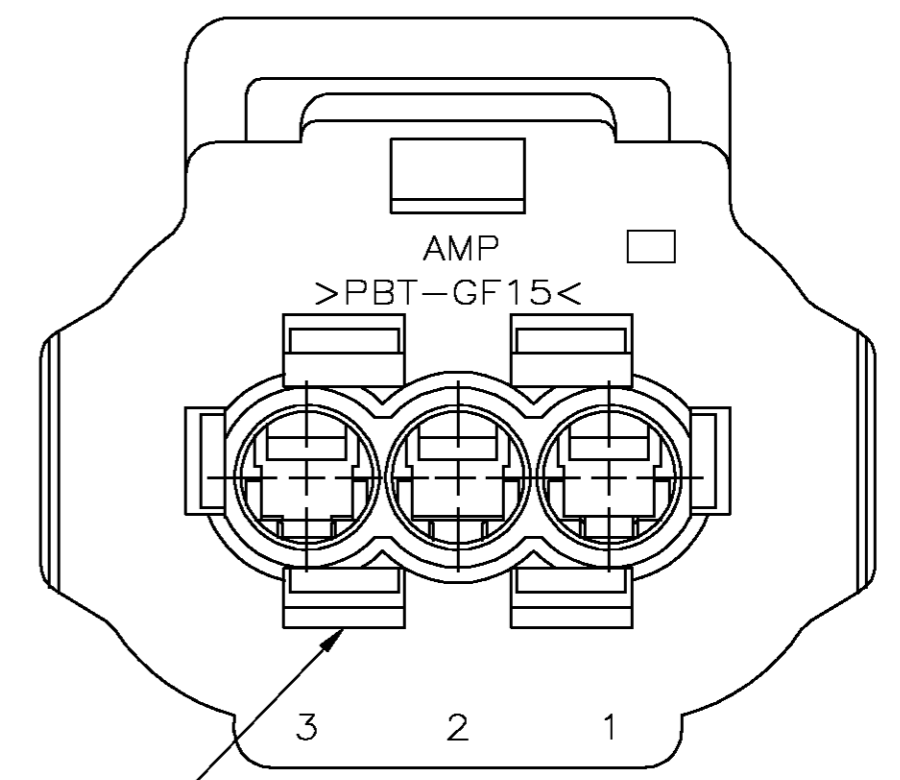
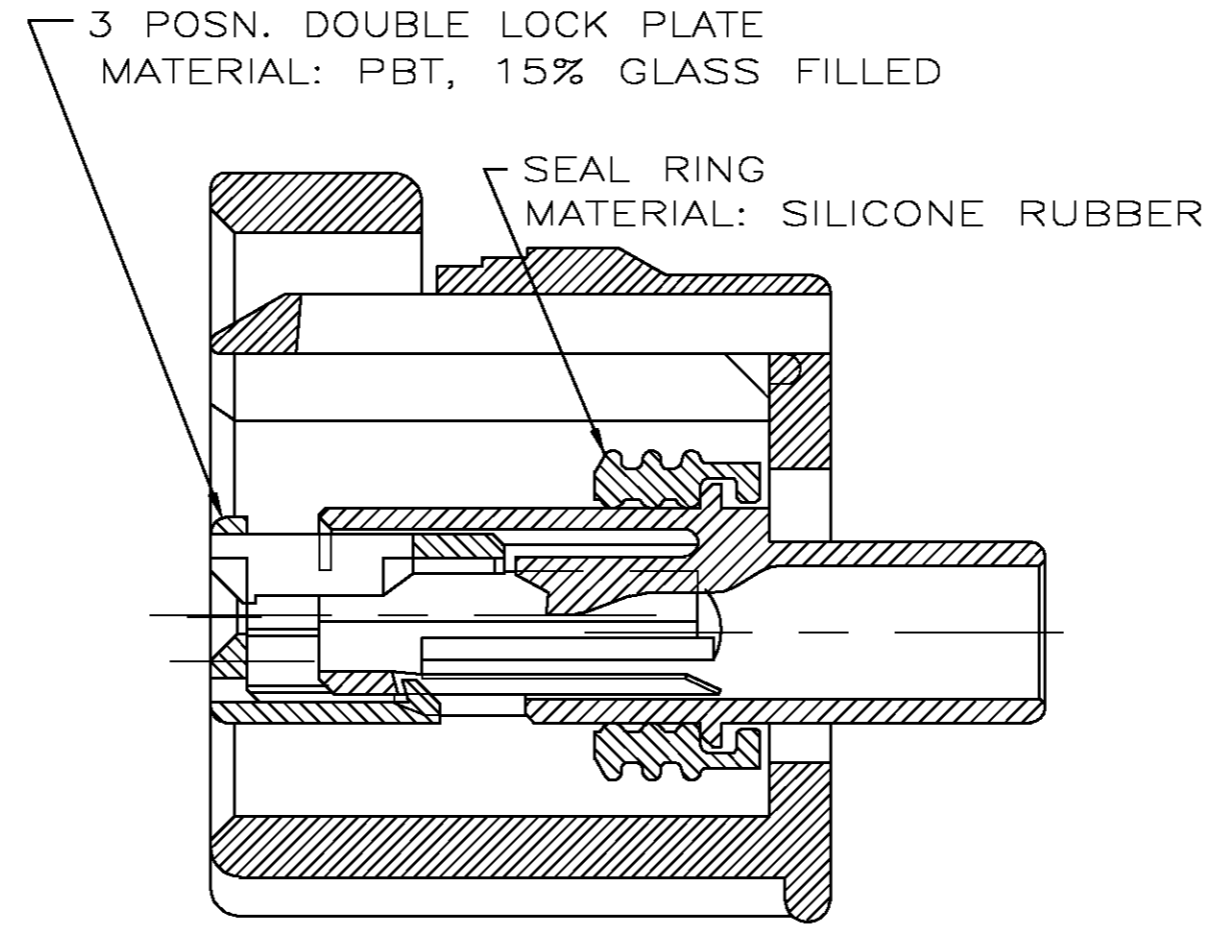
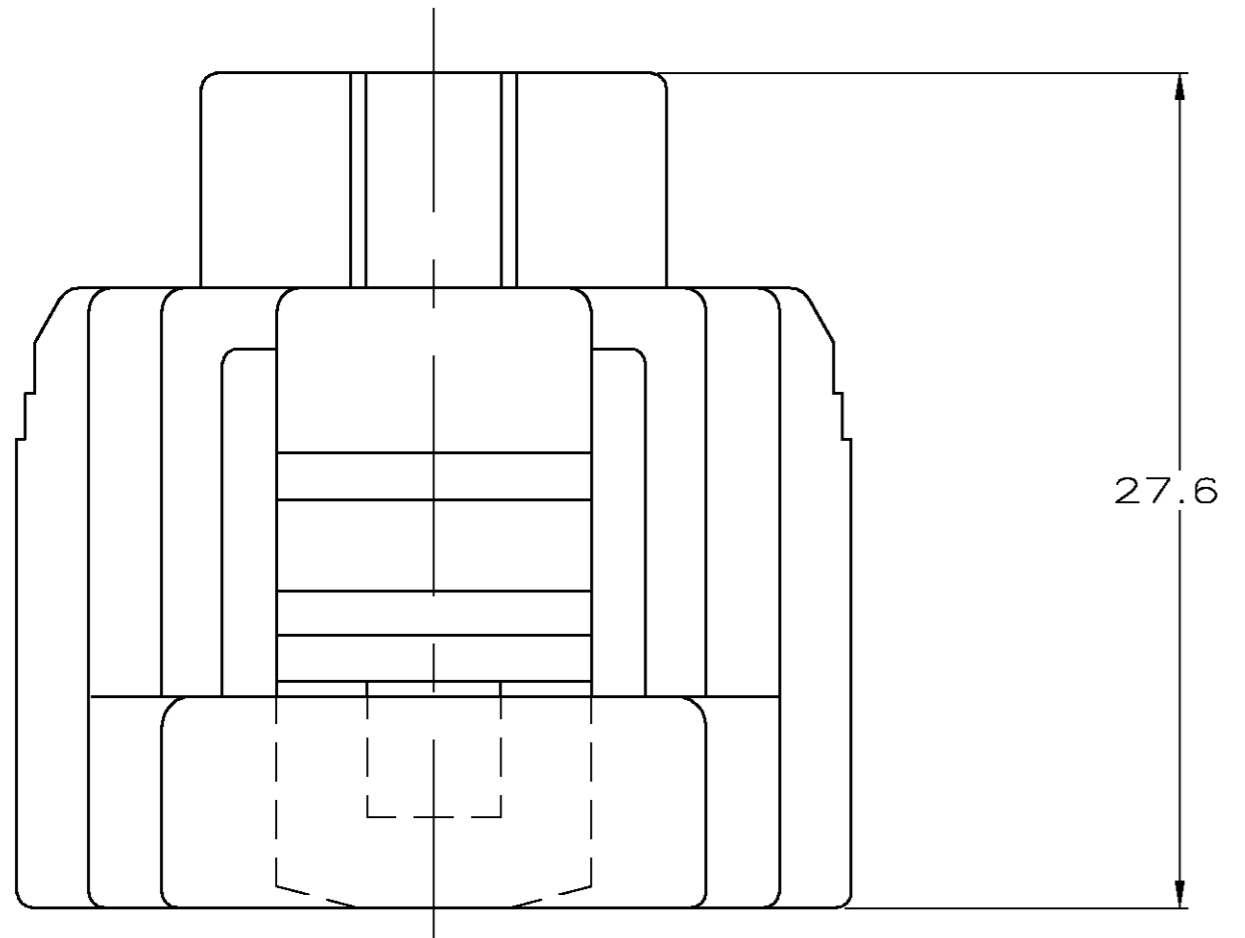
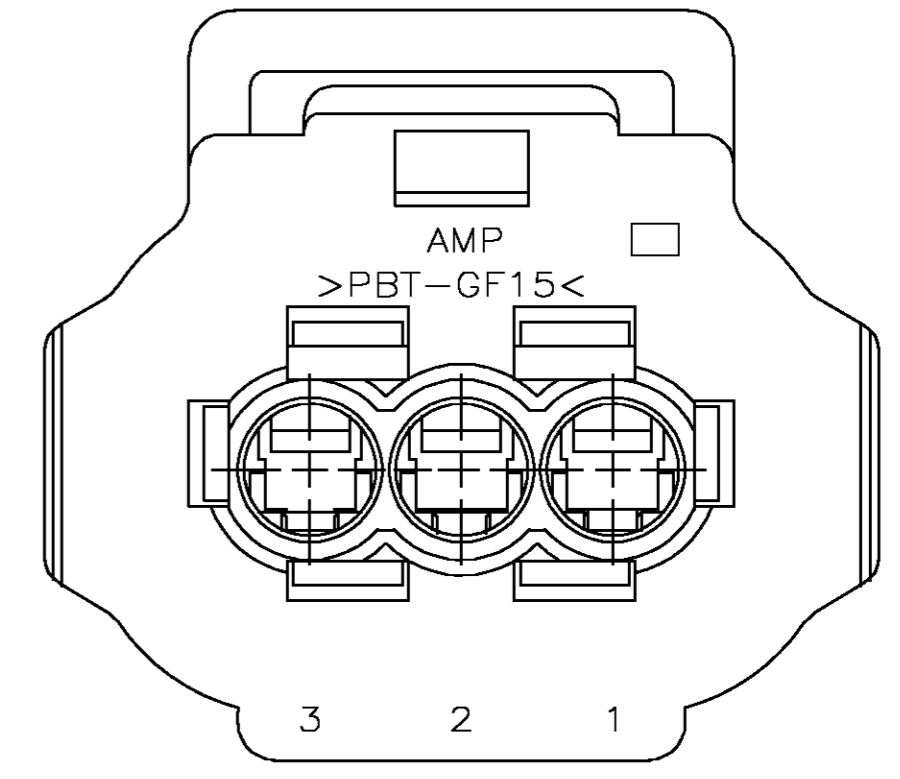


THIS DRAWING IS UNPUBLISHED. RELEASED FOR PUBLICATION
 © COPYRIGHT BY TYCO ELECTRONICS CORPORATION. ALL RIGHTS RESERVED.

LOC		DIST		REVISIONS			
P	LTR	DESCRIPTION		DATE	DWN	APVD	
G	16	E		REVISED PER EC 0K40-0387-04	19NOV2004	DLD	KLK



OPTIONAL CORING
2 PLACES



184034-1
PART NO

THIS DRAWING IS A CONTROLLED DOCUMENT.		DWN	KD LYTLE	12/8/94	 Tyco Electronics Corporation Harrisburg, PA 17105-3608
DIMENSIONS: MM		CHK	JP KUNKLE	12/9/94	
TOLERANCES UNLESS OTHERWISE SPECIFIED:		APVD	JP KUNKLE	12/9/94	
0 PLC ± - 1 PLC ± 0.3 2 PLC ± 0.3 3 PLC ± - 4 PLC ± - ANGLES ±1° - FINISH -		NAME	JP KUNKLE		
MATERIAL AS NOTED		PRODUCT SPEC	1 X 3 PLUG ASSEMBLY KEY B-C3		
		APPLICATION SPEC	SIZE	A2	RESTRICTED TO
		WEIGHT	CAGE CODE	00779	
		CUSTOMER DRAWING	DRAWING NO	C=184034	
		SCALE	4:1	SHEET	1 OF 1
		REV	E		

单击下面可查看定价，库存，交付和生命周期等信息

[>>TE Connectivity\(泰科\)](#)