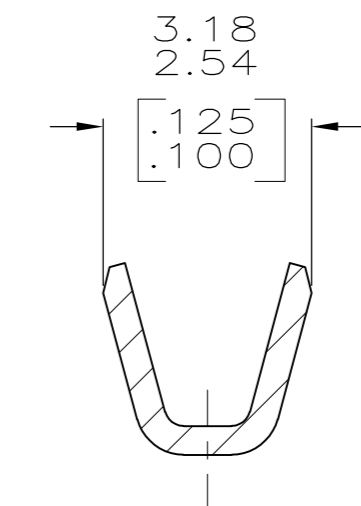
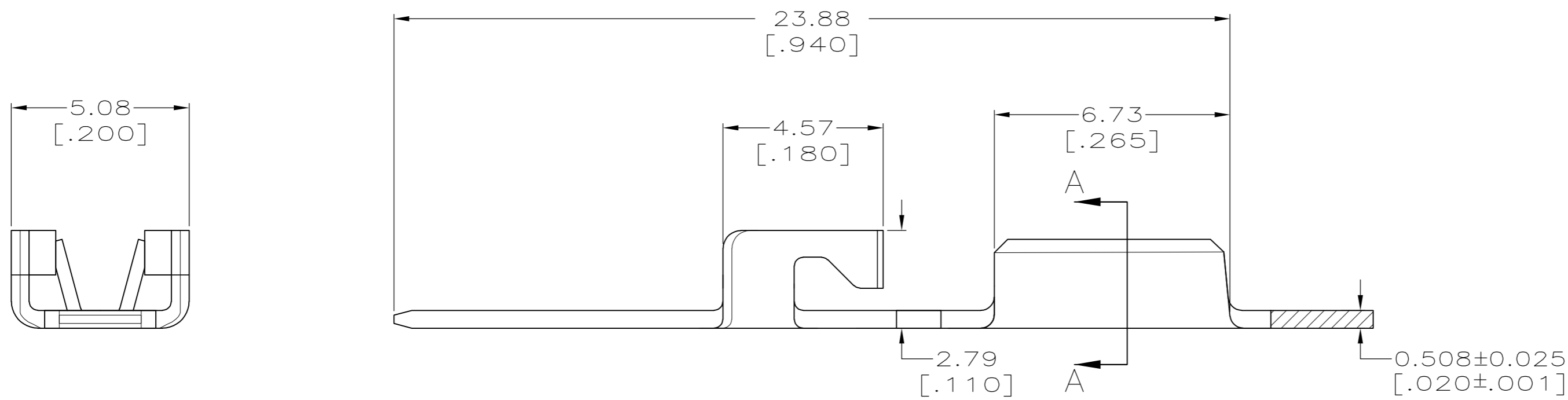
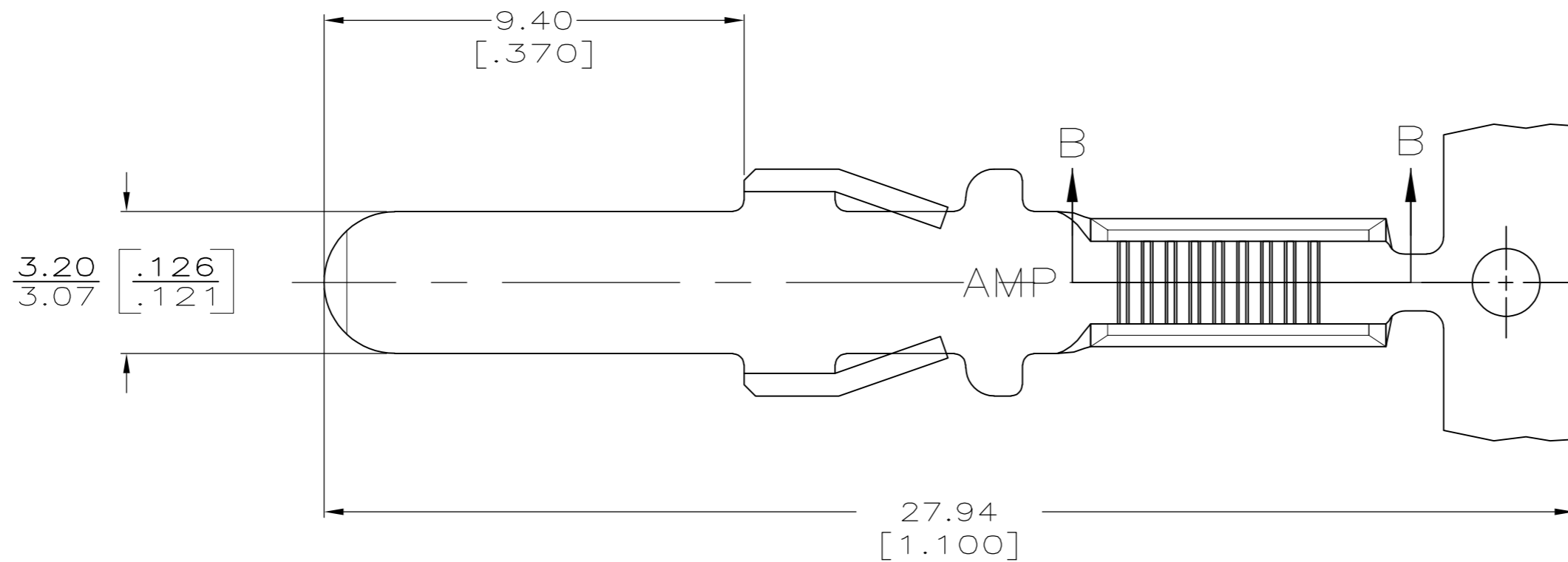


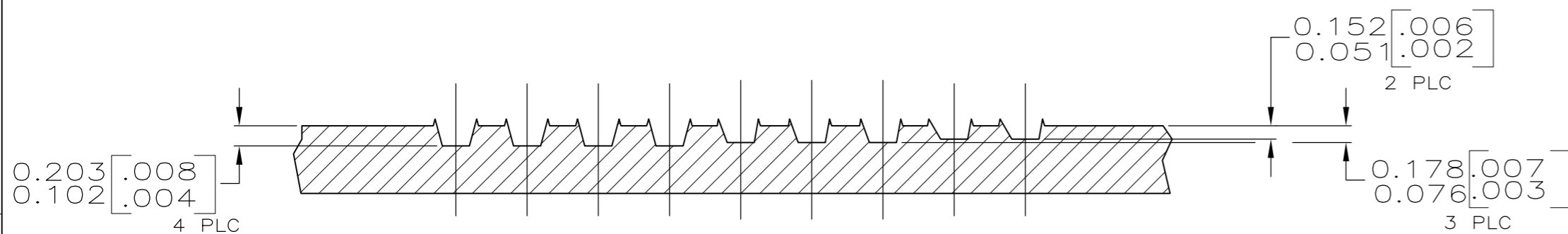
THIS DRAWING IS UNPUBLISHED. RELEASED FOR PUBLICATION
 © COPYRIGHT - By TYCO ELECTRONICS CORPORATION. ALL RIGHTS RESERVED.

| LOC | DIST | REVISIONS | | | |
|-----|------|--------------------------|---------|-----|------|
| P | LTR | DESCRIPTION | DATE | DWN | APVD |
| AF | 50 | | | | |
| | F | REVISE PER ECR-13-013738 | 15FEB14 | GRZ | JL |

1 CONTINUOUS STRIP ON REEL.



SECTION A-A
SCALE 10:1



SECTION B-B
SCALE 25:1

| | |
|-----------------------|-------------|
| 400-1600 CMA RANGE | 1217029-1 |
| WIRE RANGE | PART NUMBER |

| | | | | |
|--|--|--|---|--|
| THIS DRAWING IS A CONTROLLED DOCUMENT. | | DWN 04/NOV/97 PHILLIP M. FORTNEY | TE Connectivity | |
| DIMENSIONS: INCHES | | CHK 04/NOV/97 JEFF R. RUTH | CONTACT, 3.18 [.125] BLADE,AMPLIVAR | |
| TOLERANCES UNLESS OTHERWISE SPECIFIED: | | APVD - | NAME | |
| 0 PLC ± - | | PRODUCT SPEC - | SIZE CAGE CODE DRAWING NO RESTRICTED TO | |
| 1 PLC ± - | | APPLICATION SPEC - | A2 00779 C=1217029 | |
| 2 PLC ± 0.25 [.010] | | WEIGHT - | SCALE 8:1 SHEET 1 of 1 REV F | |
| 3 PLC ± - | | CUSTOMER DRAWING | | |
| 4 PLC ± - | | | | |
| ANGLES ± - | | | | |
| MATERIAL BRASS | | FINISH 0.002032 [.000080] MIN TIN PL PER MIL-T-10727 | | |

CUSTOMER DRAWING

单击下面可查看定价，库存，交付和生命周期等信息

[>>TE Connectivity\(泰科\)](#)