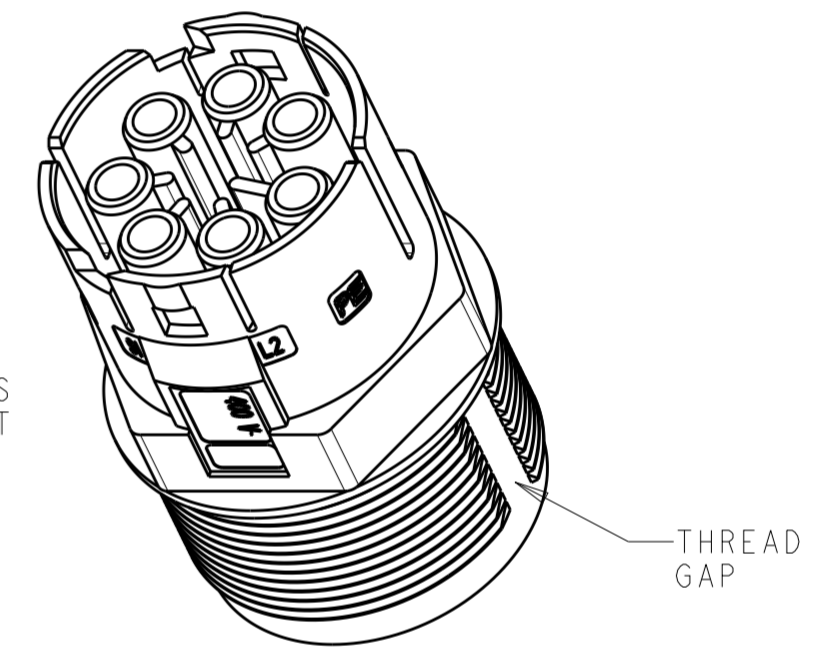
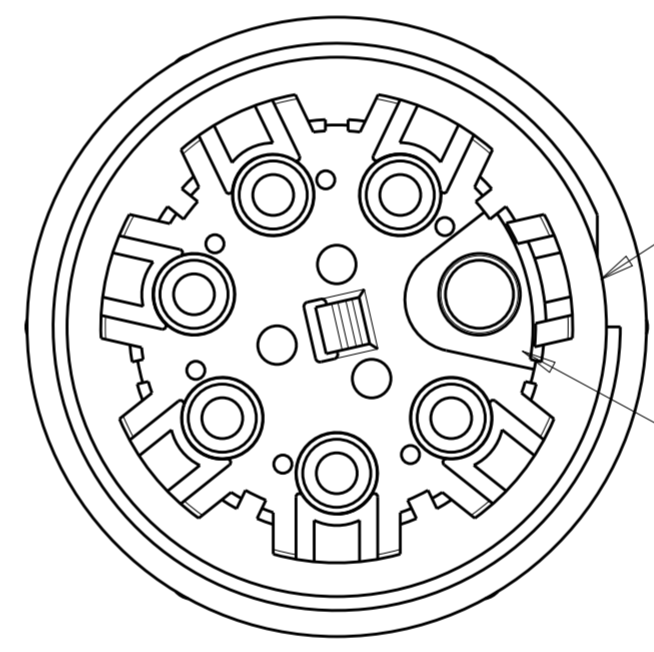
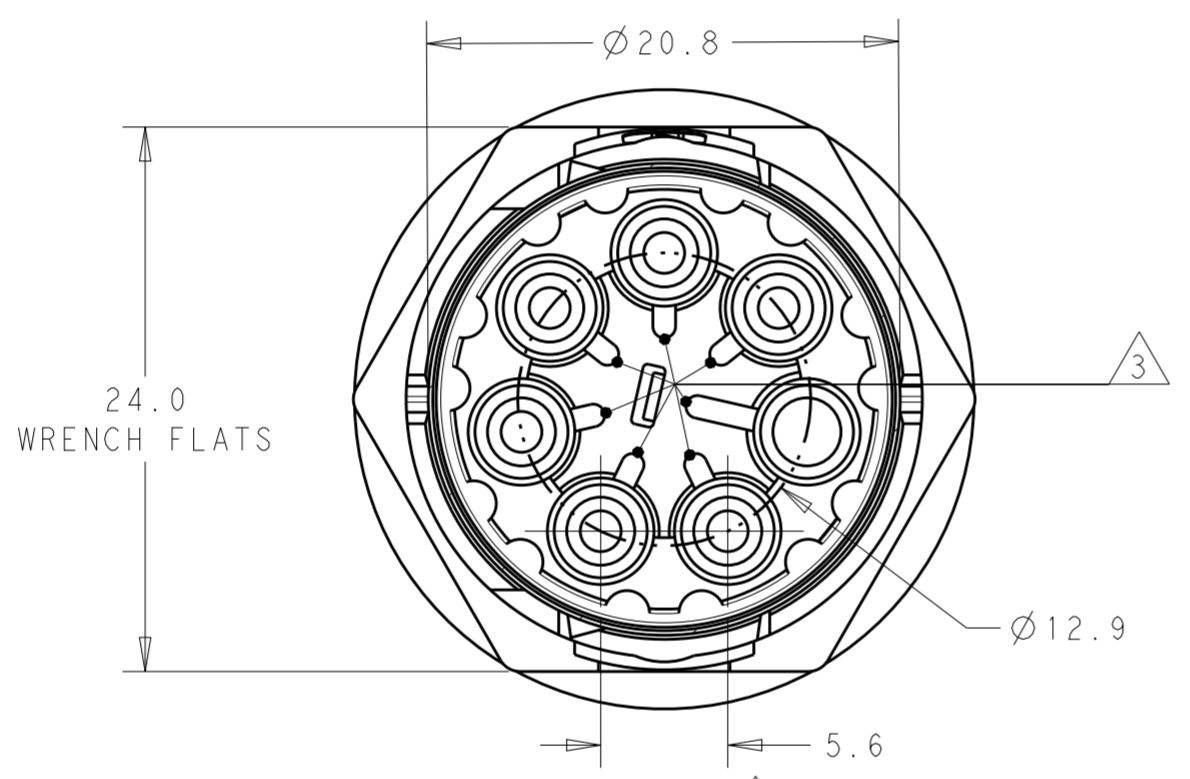
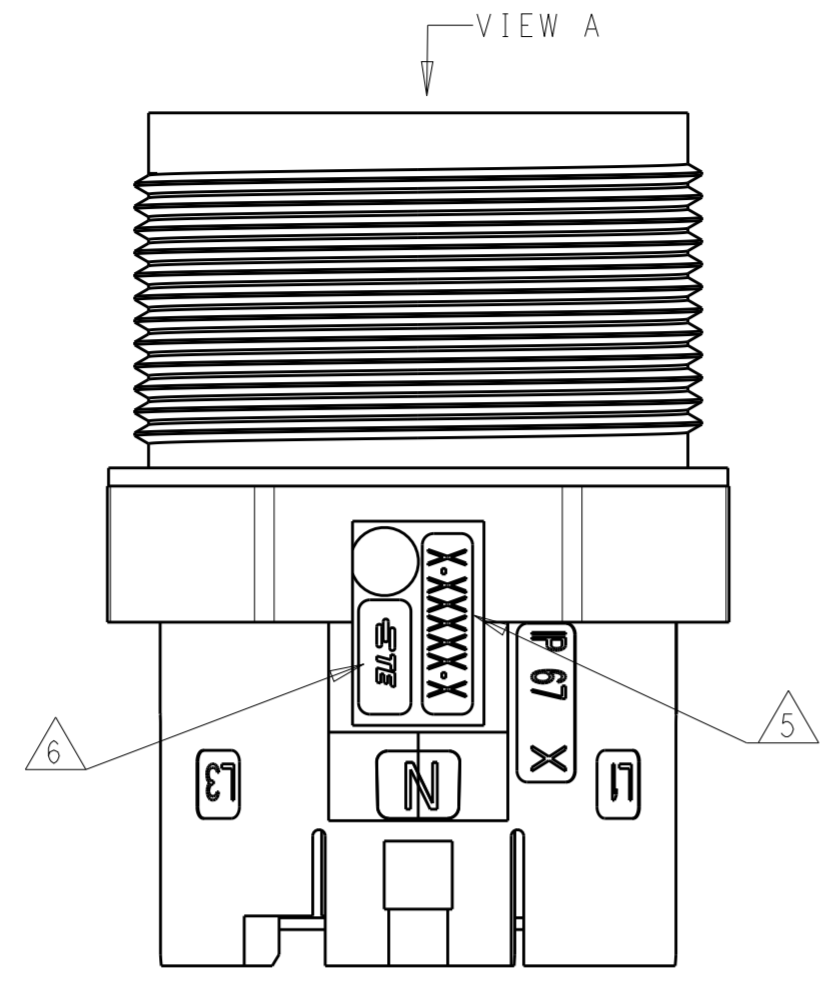


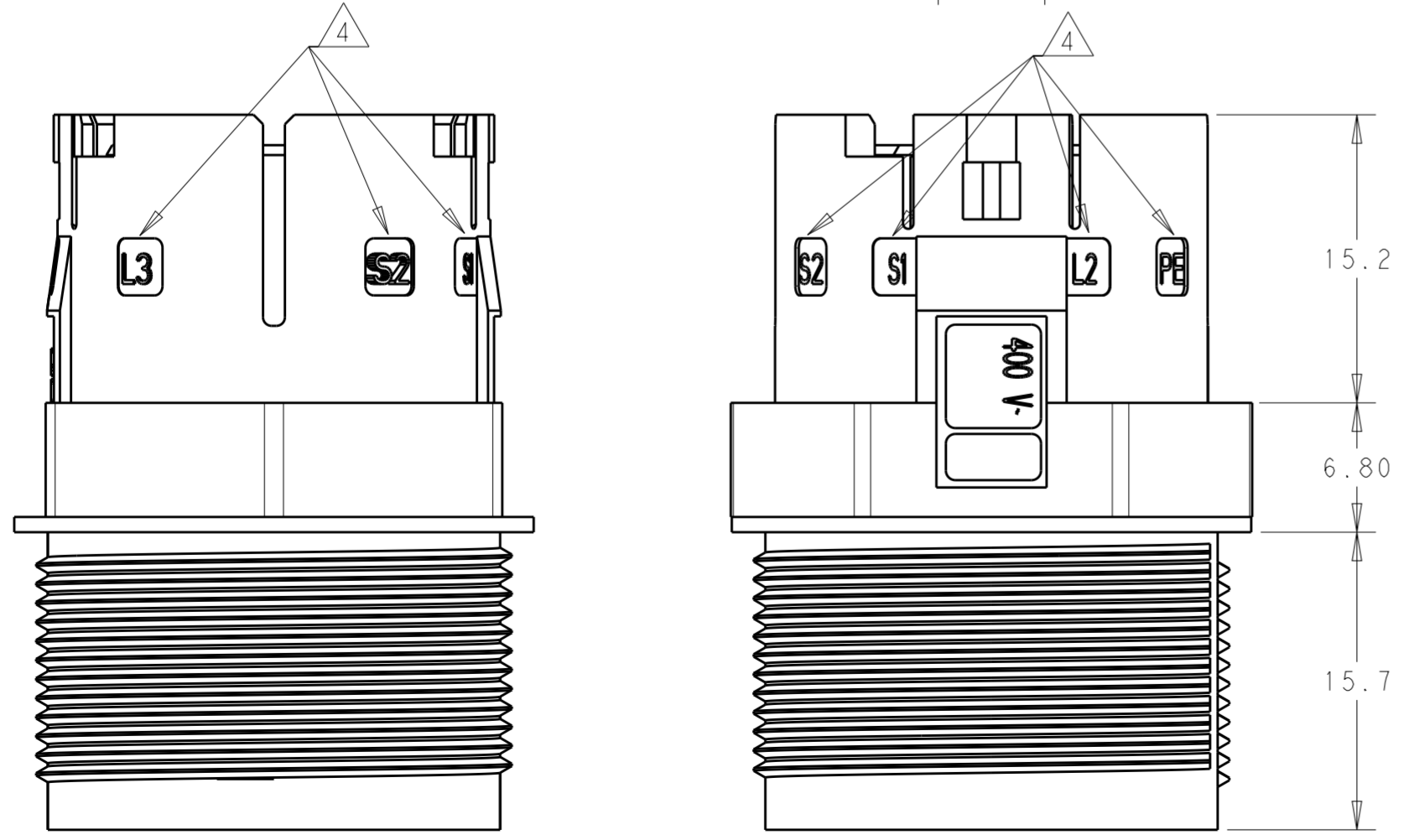
THIS DRAWING IS UNPUBLISHED. RELEASED FOR PUBLICATION 20
COPYRIGHT 20 BY - ALL RIGHTS RESERVED.

REVISIONS				
P	LTR	DESCRIPTION	DATE	APVD
A		REVISED AS PER ECR-15-005925	21APR2015	RS JL
B		REVISED AS PER ECR-16-000859	08MAR2016	RS JL
B1		ECR-18-006945	05JUL2018	SR MZ



NOTES:

- MATERIAL: GLASS FILLED PBT, COLOR: BLACK
- MUST COMPLY WITH DIRECTIVE 2002/95/EC (ROHS)
- ALL POLARIZATION KEYS SHOWN FOR REF ONLY.
- CIRCUIT I.D.
- TE PART NUMBER
- TE LOGO
- THIS PRODUCT HAS NOT COMPLETED VALIDATION TESTING



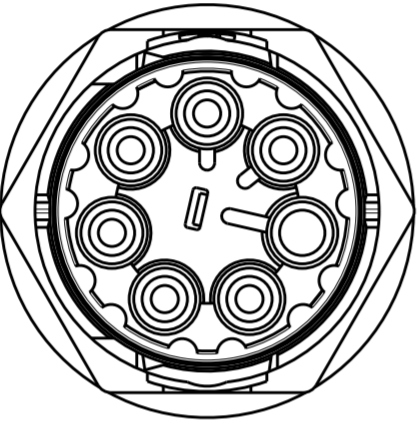
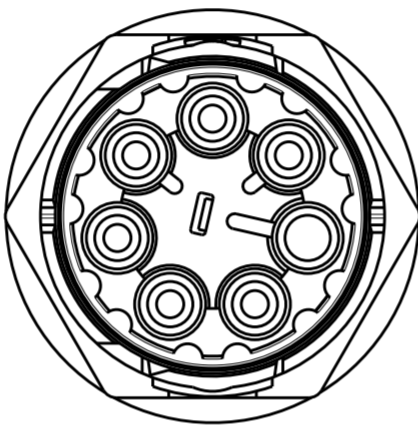
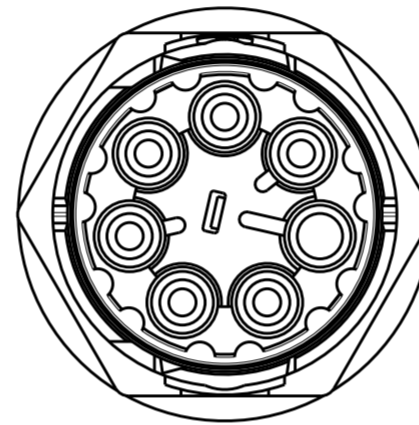
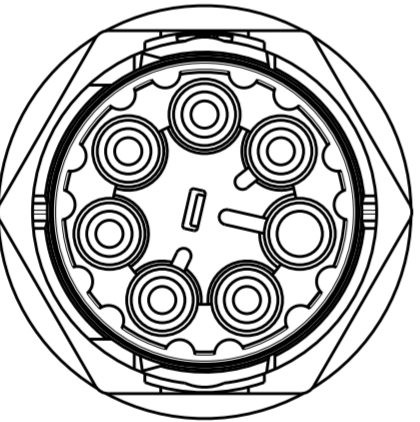
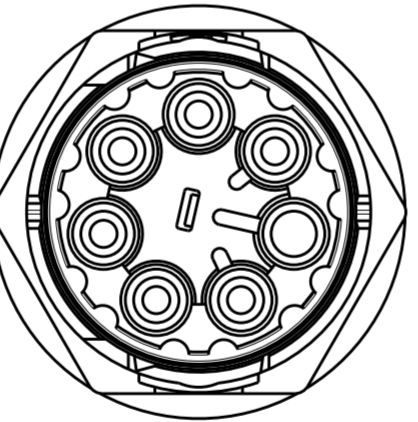
VIEW A SCALE 3:1


OBSOLETE	E	FREE HANGING SKT. SEALED NECTOR M, 7 POSN	2213240-5
	D	FREE HANGING SKT. SEALED NECTOR M, 7 POSN	2213240-4
	C	FREE HANGING SKT. SEALED NECTOR M, 7 POSN	2213240-3
	B	FREE HANGING SKT. SEALED NECTOR M, 7 POSN	2213240-2
	A	FREE HANGING SKT. SEALED NECTOR M, 7 POSN	2213240-1
	POLARIZATION TYPE	DESCRIPTION	PART NUMBER

THIS DRAWING IS A CONTROLLED DOCUMENT.		DWN J. SHAFFER 12NOV2013	TE Connectivity	
DIMENSIONS: mm		CHK M. LUKSIC 12NOV2013		
TOLERANCES UNLESS OTHERWISE SPECIFIED:		APVD M. LUKSIC 12NOV2013	NAME	
0 PLC ±	1 PLC ±0.2	PRODUCT SPEC	FREE HANGING, SOCKET: SEALED NECTOR M, 7 POSN	
2 PLC ±0.13	3 PLC ±	108-133014	SIZE	A2
4 PLC ±	ANGLES ±	114-32111	CAGE CODE	-
FINISH -	-	WEIGHT -	DRAWING NO	G-2213240
NOTE 1	-	CUSTOMER DRAWING	RESTRICTED TO	-
		SCALE 2:1	SHEET 1 OF 2	REV B1

THIS DRAWING IS UNPUBLISHED. RELEASED FOR PUBLICATION 20
 © COPYRIGHT 20 BY - ALL RIGHTS RESERVED.

REVISIONS				
P	LTR	DESCRIPTION	DATE	APVD
-		SEE SHEET 1	-	-

POLARIZATION TYPES		
POLARIZATION TYPE "A"	POLARIZATION TYPE "B"	POLARIZATION TYPE "C"
		
PN: 2213240-1	PN: 2213240-2	PN: 2213240-3
POLARIZATION TYPE "D"	POLARIZATION TYPE "E"	
		
PN: 2213240-4	PN: 2213240-5	

THIS DRAWING IS A CONTROLLED DOCUMENT.		DWN J. SHAFFER 12NOV2013	 TE Connectivity	
DIMENSIONS: mm		CHK M. LUKSIC 12NOV2013		
TOLERANCES UNLESS OTHERWISE SPECIFIED:		APVD M. LUKSIC 12NOV2013	NAME FREE HANGING, SOCKET: SEALED NECTOR M, 7 POSN	
0 PLC ±		PRODUCT SPEC 108-133014	RESTRICTED TO	
1 PLC ±0.2		APPLICATION SPEC 114-32111	SIZE A2	CAGE CODE -
2 PLC ±0.13		WEIGHT -	DRAWING NO C-2213240	SCALE 2:1
3 PLC ±		CUSTOMER DRAWING	SHEET 2 OF 2	REV B1
4 PLC ±				
ANGLES ±				
FINISH -				
NOTE 1				

单击下面可查看定价，库存，交付和生命周期等信息

[>>TE Connectivity\(泰科\)](#)