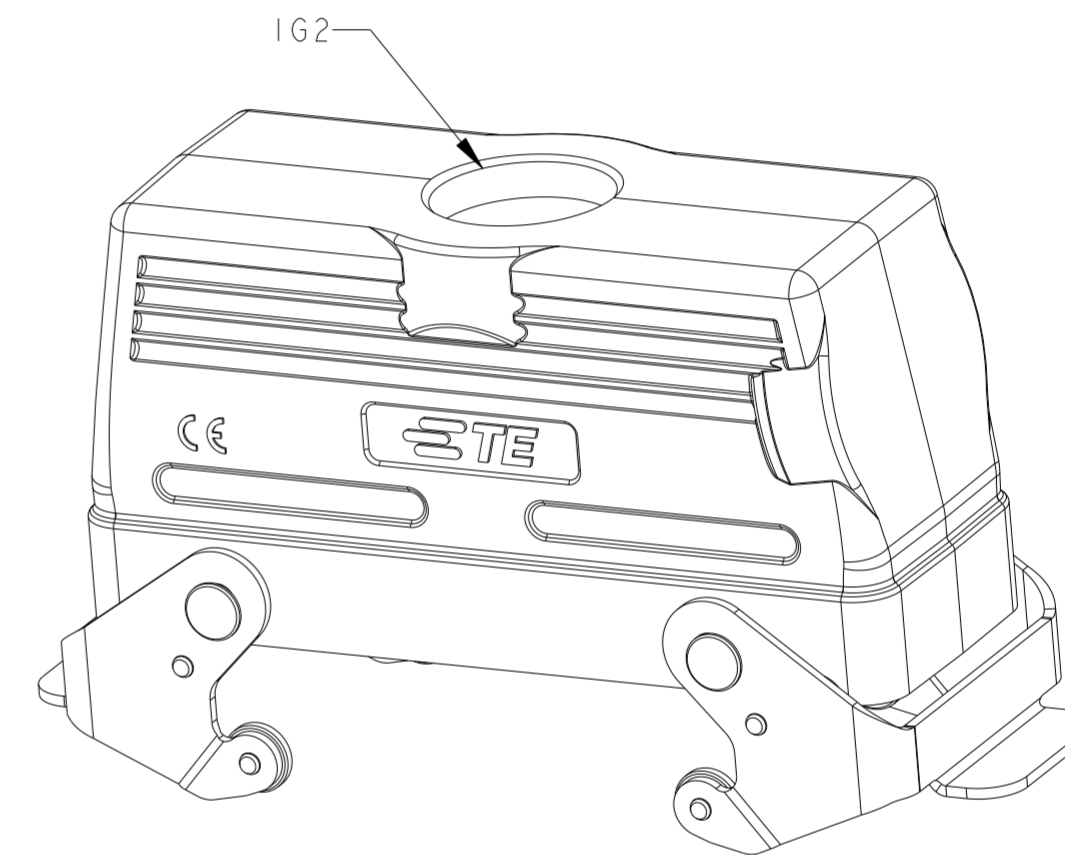
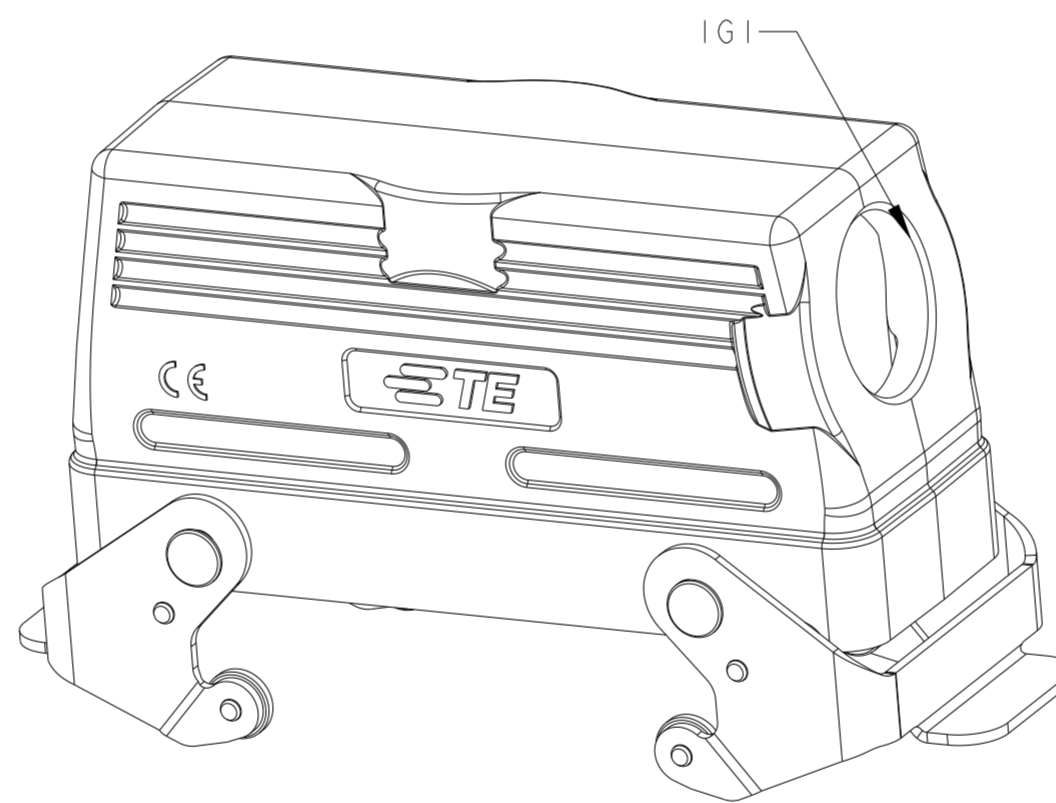
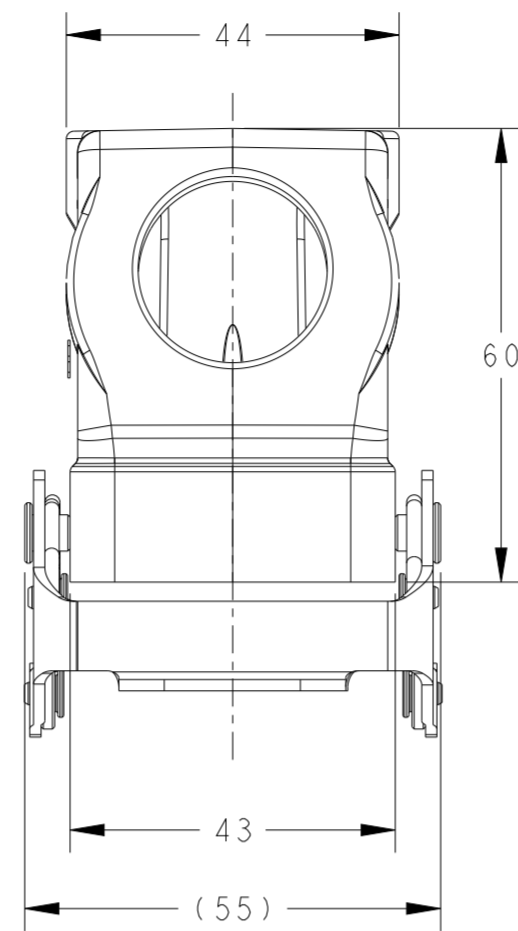
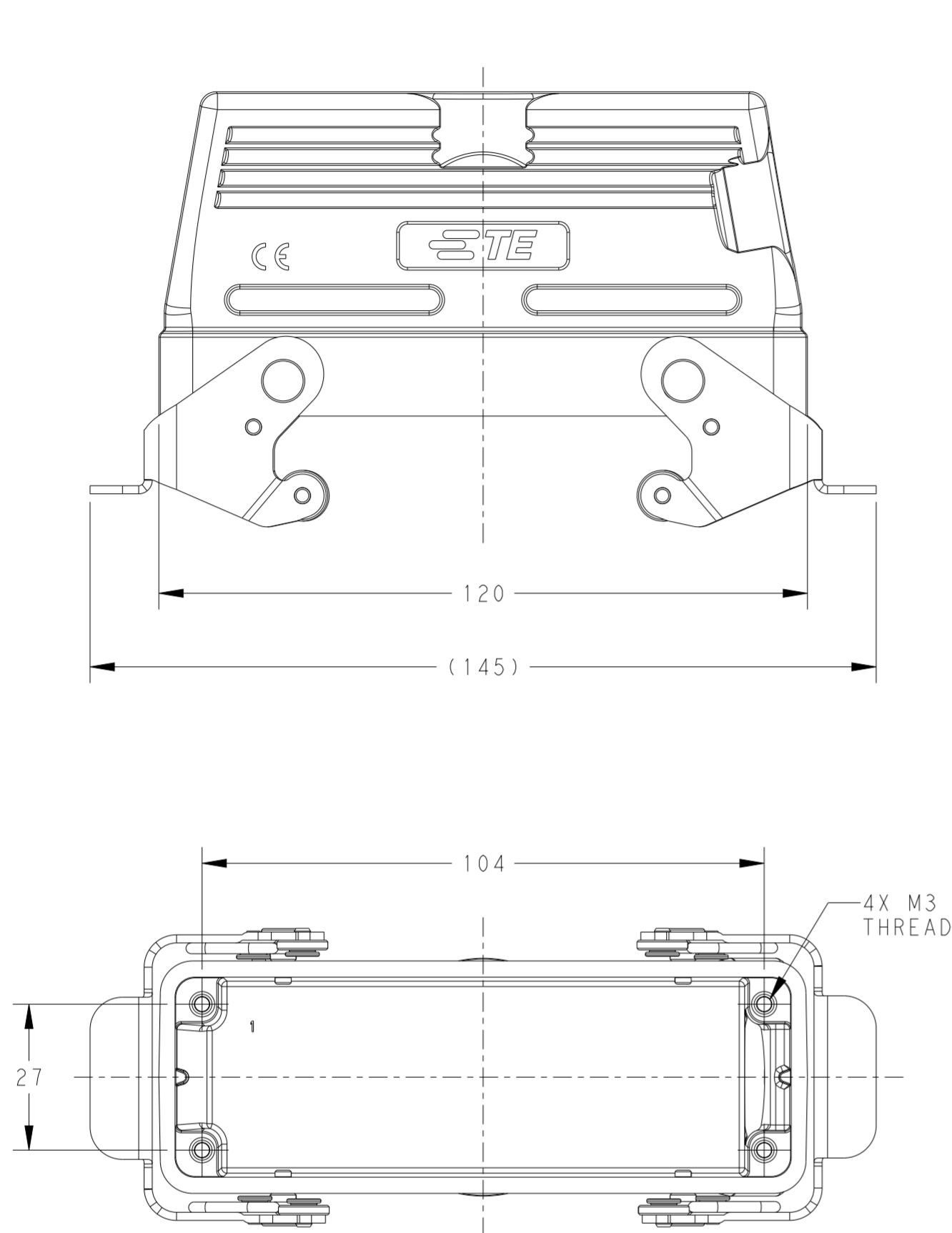


THIS DRAWING IS UNPUBLISHED. RELEASED FOR PUBLICATION 20  
 © COPYRIGHT 20 BY - ALL RIGHTS RESERVED.

REVISIONS				
P	LTR	DESCRIPTION	DATE	APVD
A		INITIAL	06JUN2015	DW CW
B		ECR-20-014876	06NOV2020	WOR CW

NOTES:  
 1. TECHNICAL CHARACTERISTICS:  
 HOOD MATERIAL: DIE CAST ALUMINIUM ALLOY  
 SURFACE: POWDER COATED, GREY  
 DEGREE OF PROTECTION: IP65 (MATED)

注释:  
 1. 技术参数:  
 上壳材料: 铝合金  
 表面处理: 粉末涂层, 灰色  
 防护等级: IP65(配合)



TYPE 1: LOW CONSTRUCTION, SIDE ENTRY WITH STAINLESS STEEL LOCKING

TYPE 2: LOW CONSTRUCTION, TOP ENTRY WITH STAINLESS STEEL LOCKING  
 OTHER SPEC REFER TO TYPE 1

T1250243121-000	TYPE 1	H24B-TSBS-PG21	PG21	-
T1250243125-000		H24B-TSBS-M25	M25	-
T1250243132-000		H24B-TSBS-M32	M32	-
T1260243121-000	TYPE 2	H24B-TGBS-PG21	-	PG21
T1260243125-000		H24B-TGBS-M25	-	M25
T1260243129-000		H24B-TGBS-PG29	-	PG29
T1260243132-000		H24B-TGBS-M32	-	M32
PART NUMBER	TYPE	DESCRIPTION	IG1	IG2

THIS DRAWING IS A CONTROLLED DOCUMENT.		DWN David Wang 06JUN2015	TE Connectivity															
DIMENSIONS: mm		CHK Chris Wang 06JUN2015																
TOLERANCES UNLESS OTHERWISE SPECIFIED:		APVD Xiang Xu 06JUN2015	NAME H24B-TSBS/TGBS-M/PG															
<table border="1"> <tr><td>0 PLC</td><td>±</td></tr> <tr><td>1 PLC</td><td>±</td></tr> <tr><td>2 PLC</td><td>±</td></tr> <tr><td>3 PLC</td><td>±</td></tr> <tr><td>4 PLC</td><td>±</td></tr> <tr><td>ANGLES</td><td>±</td></tr> <tr><td>FINISH</td><td>±</td></tr> </table>		0 PLC	±	1 PLC	±	2 PLC	±	3 PLC	±	4 PLC	±	ANGLES	±	FINISH	±	PRODUCT SPEC 108-137013	SIZE CAGE CODE DRAWING NO RESTRICTED TO	
0 PLC	±																	
1 PLC	±																	
2 PLC	±																	
3 PLC	±																	
4 PLC	±																	
ANGLES	±																	
FINISH	±																	
MATERIAL -		APPLICATION SPEC 114-137013	A200779 C-T12X02431XXX00															
		WEIGHT -	SCALE 1:1 SHEET 1 OF 1 REV B															
		Customer Drawing																

单击下面可查看定价，库存，交付和生命周期等信息

[>>TE Connectivity\(泰科\)](#)