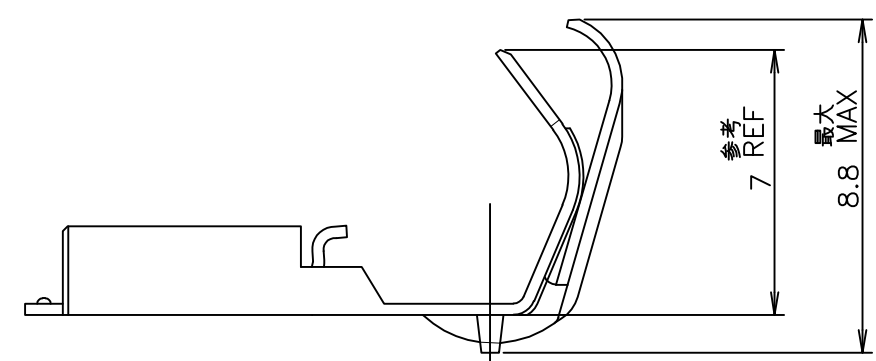
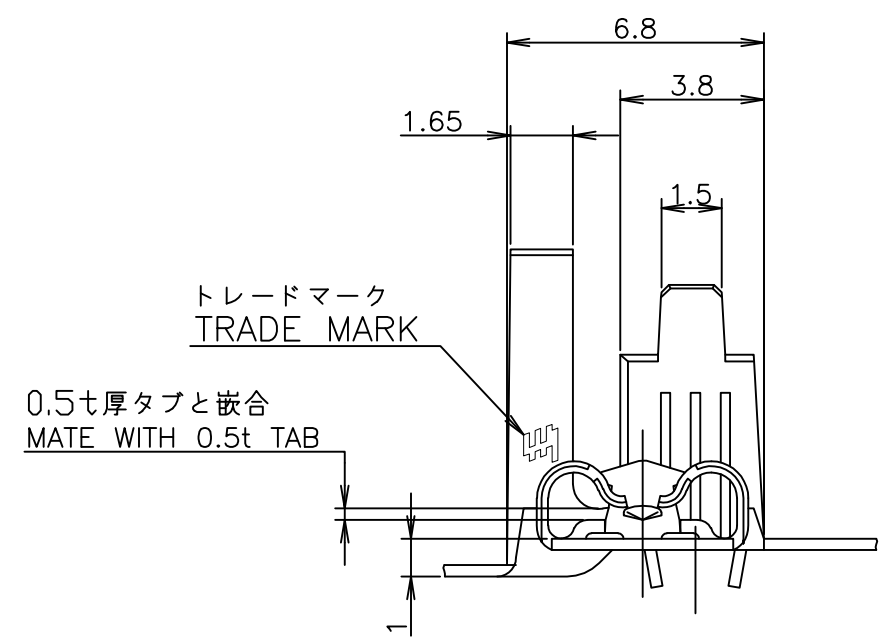
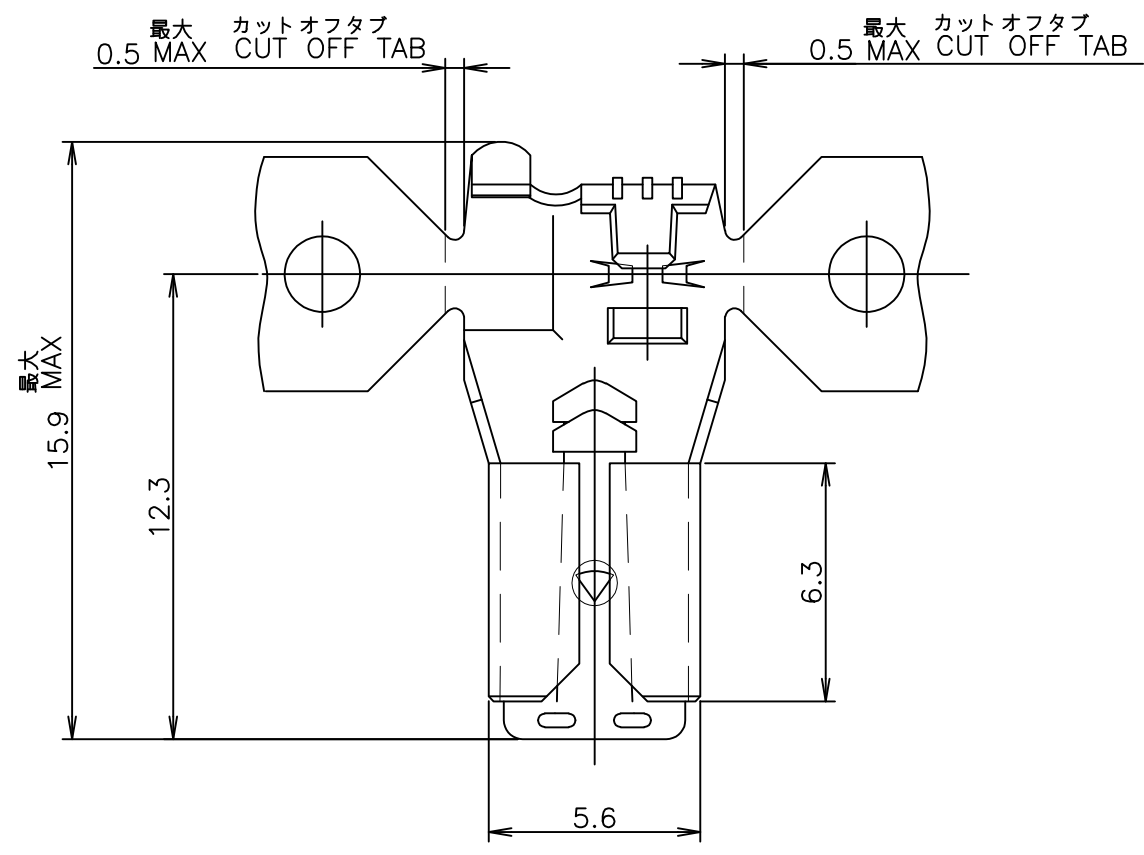


THIS DRAWING IS UNPUBLISHED. RELEASED FOR PUBLICATION JUL ,1999.
 © COPYRIGHT 1999 By - ALL RIGHTS RESERVED.

REVISIONS 変更				
P	LTR	DESCRIPTION	DATE	APVD
	F2	REVISED PER ECR-15-018717	29JUN17	LP TD

-1; AS SHOWN



OBSOLETE

1 APPLICABLE SLEEVE P/N: 1717269, 178708

1 適用スリーブ型番: 1717269, 178708

PRE TIN HIGH HEAT RESISTANCE COPPER ALLOY 0.3t	175019-6
錫めっき済み高耐熱銅合金 0.3t	
PRE TINNED PHOSPHOR BRONZE 0.3t	175019-5
錫めっき済み磷青銅 0.3t	
PRE TINNED BRASS 0.3t	175019-1
錫めっき済み黄銅 0.3t	
MATERIAL 材質	P/N 型番
WIRE RANGE 抱合電線断面積 AWG #22-#16 0.3~1.42 mm ²	INSULATION DIA 被覆外径 1.5~4.32 mm ϕ

THIS DRAWING IS A CONTROLLED DOCUMENT.

DIMENSIONS: 単位: 耗 mm	TOLERANCES UNLESS OTHERWISE SPECIFIED: 一般公差
0 PLC	±
1 PLC	±
2 PLC	±
3 PLC	±
4 PLC	±
ANGLES	±

GENERAL TOLERANCE 一般公差
10 \geq : ± 0.2
30 \geq > 10: ± 0.25
100 \geq > 30: ± 0.3
ANGLES: $\pm 3^\circ$

MATERIAL 表参照 材料 SEE TABLE	FINISH 仕上
---------------------------	-----------

DWN M.SUZUKI 07JUL1999
CHK M.SHINDO 07JUL1999
APVD M.SHINDO 07JUL1999
PRODUCT SPEC 製品規格 108-5250
APPLICATION SPEC 取付適用規格 114-5118
WEIGHT 0.000000

STE TE Connectivity			
NAME 名称 187 SERIES FLAG POSITIVE LOCK-EX REC. 187 シリーズ・旗型・ポジティブロック EX リセブタクル			
SIZE A3	CAGE CODE 00779	DRAWING NO 番号 C-175019	RESTRICTED TO
CUSTOMER DRAWING		SCALE 尺度 5:1	SHEET 1 OF 1 REV F2

单击下面可查看定价，库存，交付和生命周期等信息

[>>TE Connectivity\(泰科\)](#)