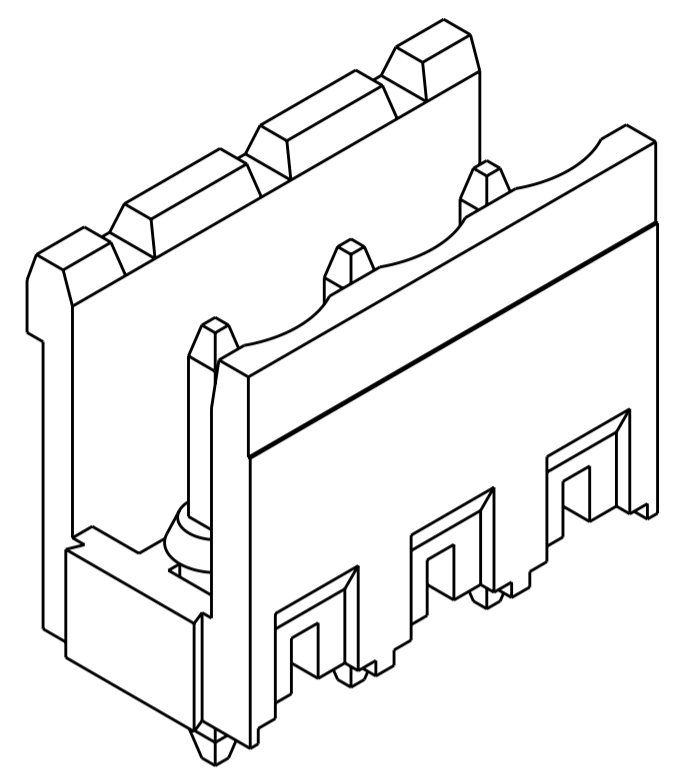
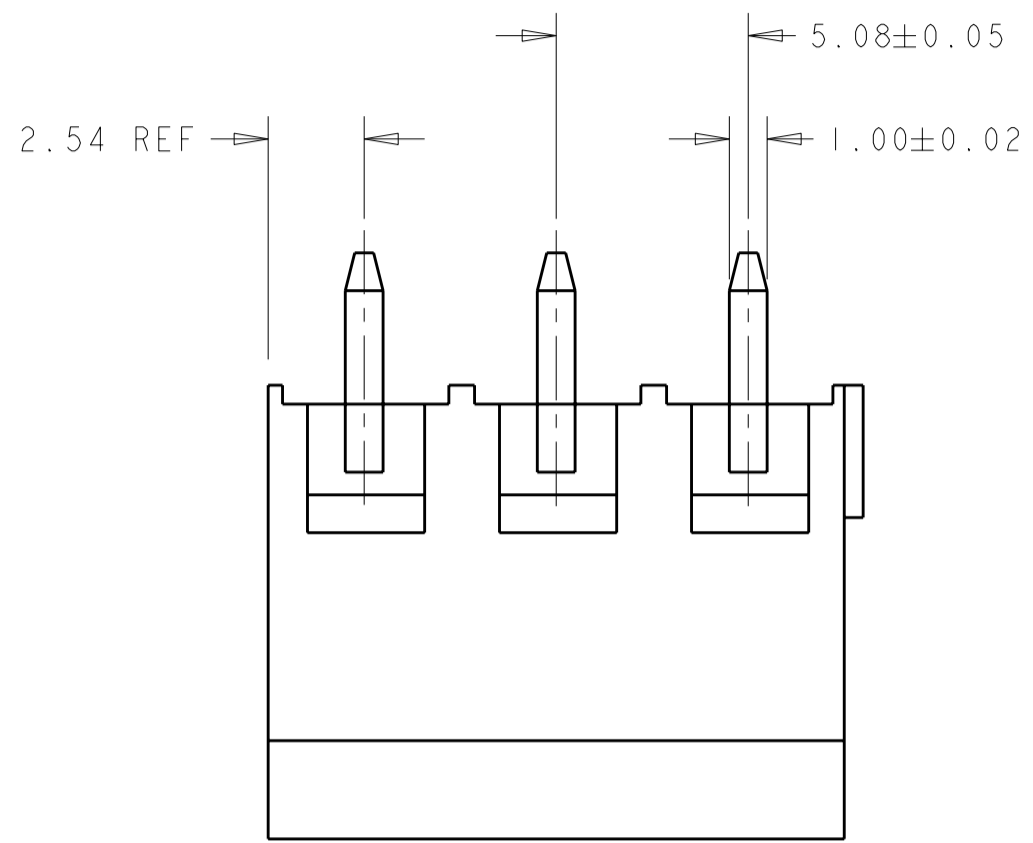


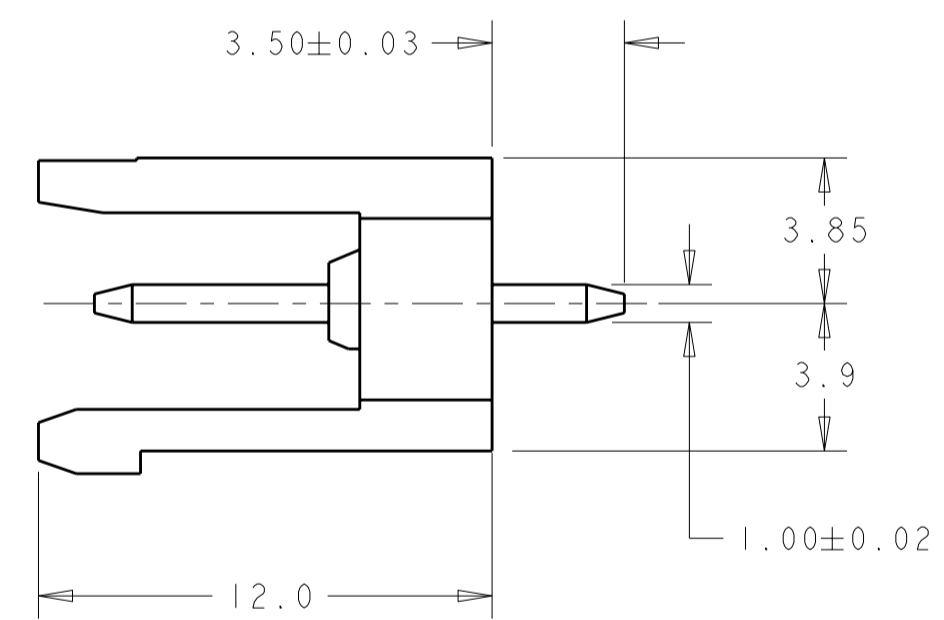
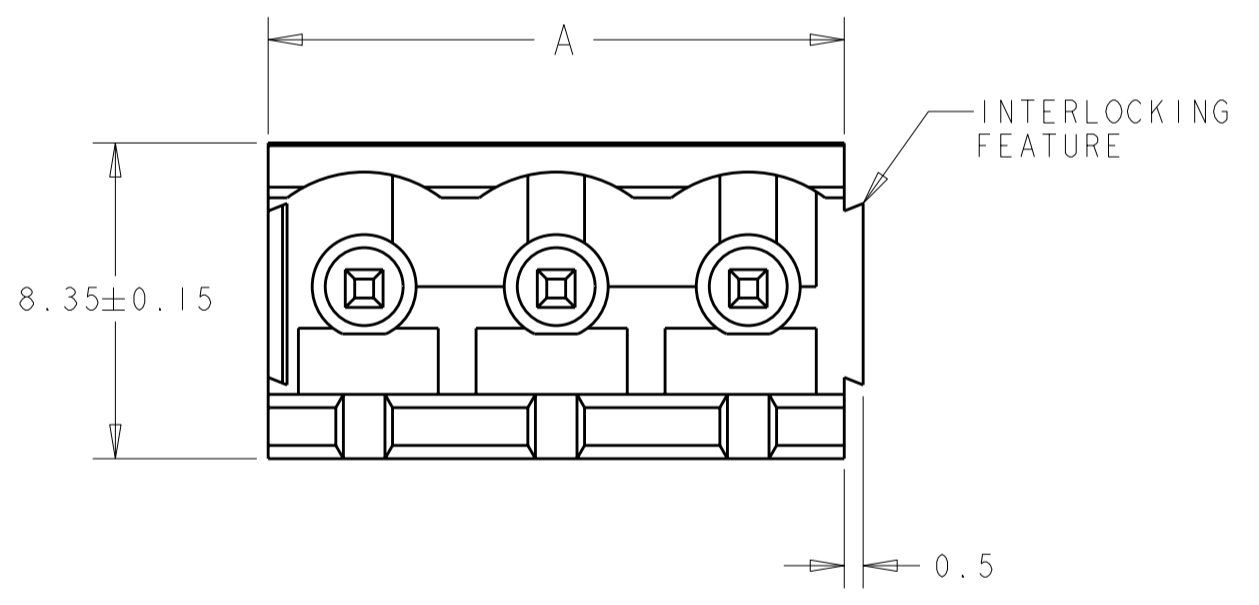
THIS DRAWING IS UNPUBLISHED. RELEASED FOR PUBLICATION 20
 © COPYRIGHT 20 Tyco Electronics AMP GmbH ALL RIGHTS RESERVED.

LOC	DIST	REVISIONS			
P	LTR	DESCRIPTION	DATE	DWN	APVD
FT	0	01 REVISED PER ECO-12-007711	26APR2012	KH	MS

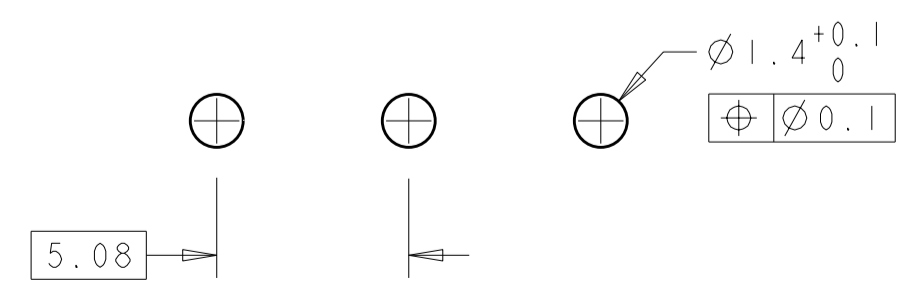


1776143-3 AS SHOWN

1. MATERIALS AND FINISH
 HOUSING: HIGH TEMPERATURE POLYAMIDE, UL 94V-0 RATED,
 COLOR: BLACK.
 TERMINAL: COPPER ALLOY, TIN PLATED.
2. SUITABLE FOR 1,6-2,4mm PC BOARD THICKNESS.
3. END-TO-END STACKABLE WITHOUT LOSS OF CENTERLINE SPACING.
4. RECOGNIZED UNDER THE COMPONENT PROGRAM OF UNDERWRITERS LABORATORIES INC., FILE N° E60677.
5. IMQ CERTIFICATE WITH SURVEILLANCE IN CONFORMITY WITH IEC 998-1/998-2-1.
6. UL RATING: 300V, 15A.



20.32	4	1776143-4
15.24	3	1776143-3
10.16	2	1776143-2
A	NO OF POSN	PART NUMBER



RECOMMENDED PC BOARD LAYOUT

THIS DRAWING IS A CONTROLLED DOCUMENT.		DWN S. WELDON 28JUN2005	STE TE Connectivity	
		CHK C. RICHARD 28JUN2005		
		APVD C. RICHARD 28JUN2005	NAME TERMINAL BLOCK HEADER ASSEMBLY	
DIMENSIONS: mm		PRODUCT SPEC 108-20166	180 DEGREE, OPEN ENDS, STACKING	
TOLERANCES UNLESS OTHERWISE SPECIFIED:		APPLICATION SPEC 114-20079	W/ INTERLOCK, 5.08mm PITCH	
0 PLC ±-		WEIGHT -	SIZE A2	CAGE CODE C-1776143
1 PLC ±.2		CUSTOMER DRAWING	SCALE 5:1	SHEET 1 OF 1
2 PLC ±.25				REV 01
3 PLC ±-				
4 PLC ±-				
ANGLES ±2				
FINISH				

单击下面可查看定价，库存，交付和生命周期等信息

[>>TE Connectivity\(泰科\)](#)