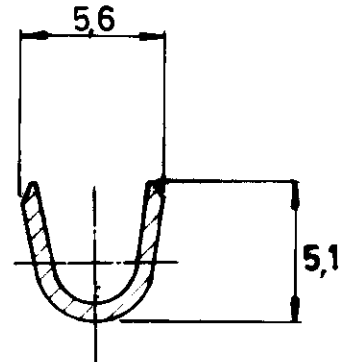
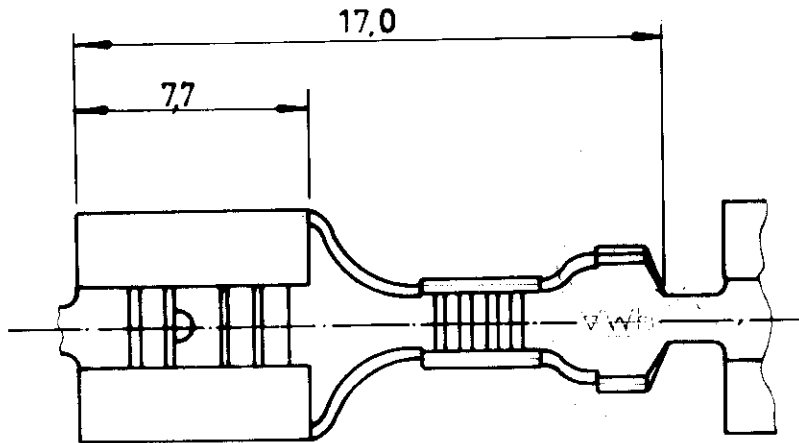
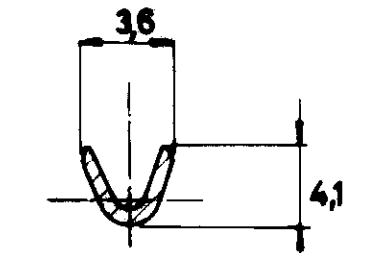
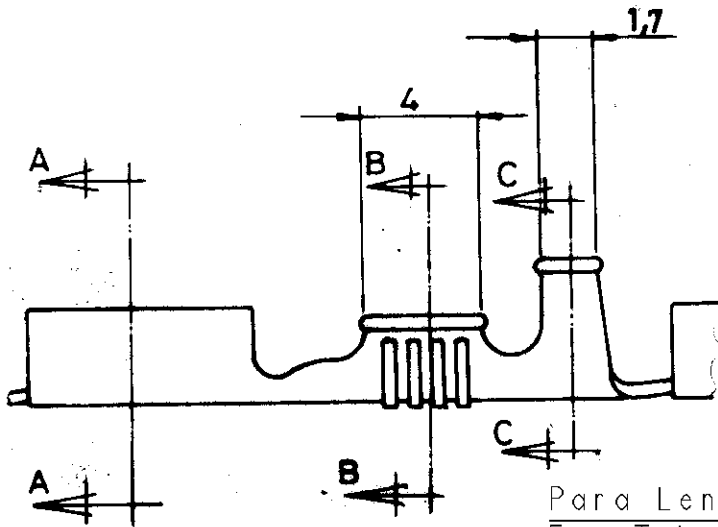


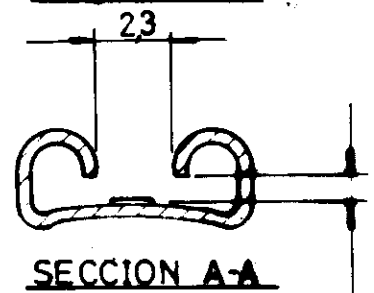
LOC	DIST	REVISIONS				
P	LTR	DESCRIPTION	DATE	DWN	APVD	
AL	2	G	REVISED PER ES00-0011-04	15JAN2004	JL	JL



SECCION C C



SECCION B-B



SECCION A-A

Para Lengüeta de 0,8 mm espesor
For Tab of 0,8 mm thickness

WIRE RANGE: 1.0-2.5 MM²
INS. RANGE Ø : 4.3 MAX.

PRE-TIN	BRASS	1-735220-2
SILVER	BRASS	735220-5
TIN-PLATE	BRONZE	735220-4
----	BRONZE	735220-3
TIN-PLATE	BRASS	735220-2
----	BRASS	735220-1
FINISH	MATERIAL	PART MUNBER

THIS DRAWING IS UNPUBLISHED. BY TYCO ELECTRONICS CORPORATION. ALL RIGHTS RESERVED. COPYRIGHT 20

DIMENSIONS: mm	DWN J. LAZARO	22JAN98	MATERIAL	FINISH
	CHK L. BATLLO	22JAN98	Tyco Electronics Barcelona Spain	
TOLERANCES UNLESS OTHERWISE SPECIFIED:	APVD L. BATLLO	22JAN98		
	0 PLC ± 1 PLC ±GENERAL 2 PLC ±TOLERANCES 3 PLC ±0.3 4 PLC ±0 ANGLES ±0° 1'	PRODUCT SPEC 108	APPLICATION SPEC -	SIZE A4
	WEIGHT -	DRAWING NO C=735220	RESTRICTED TO -	SCALE 4:1
	CUSTOMER DRAWING	SHEET 1	OF 1	REV G

单击下面可查看定价，库存，交付和生命周期等信息

[>>TE Connectivity\(泰科\)](#)