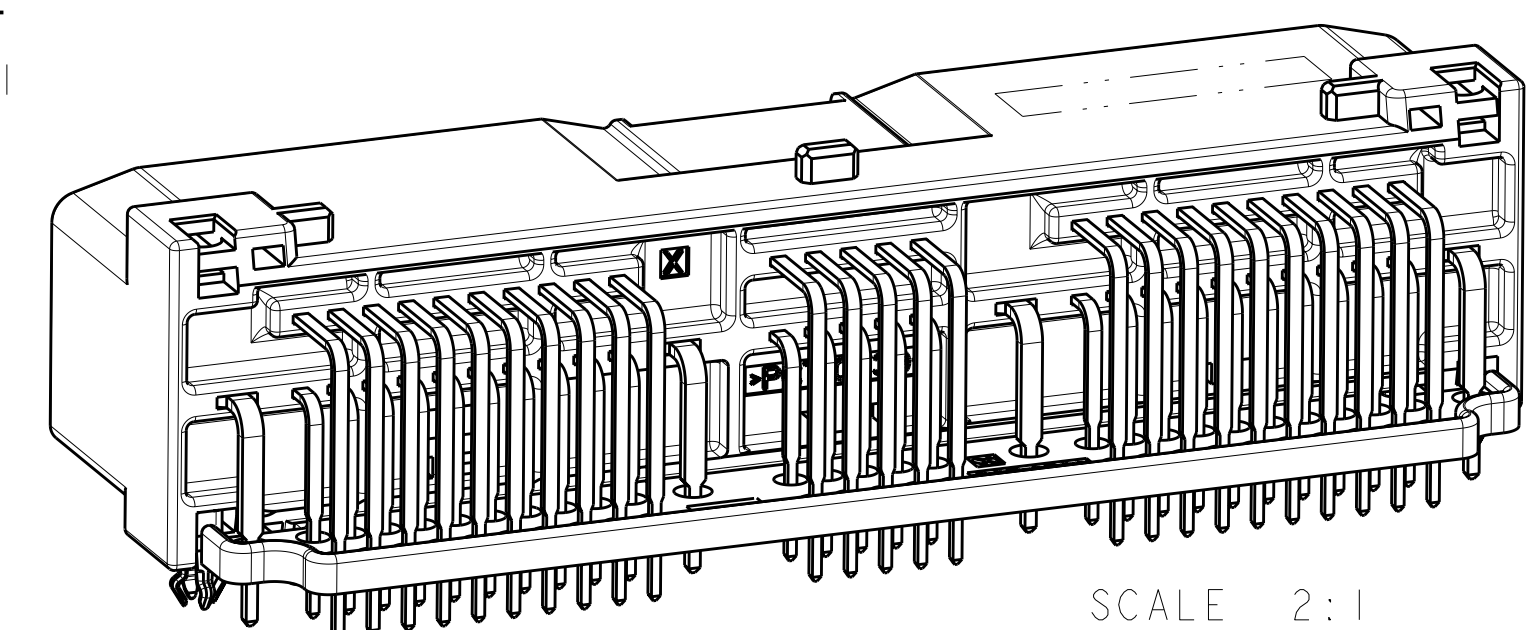
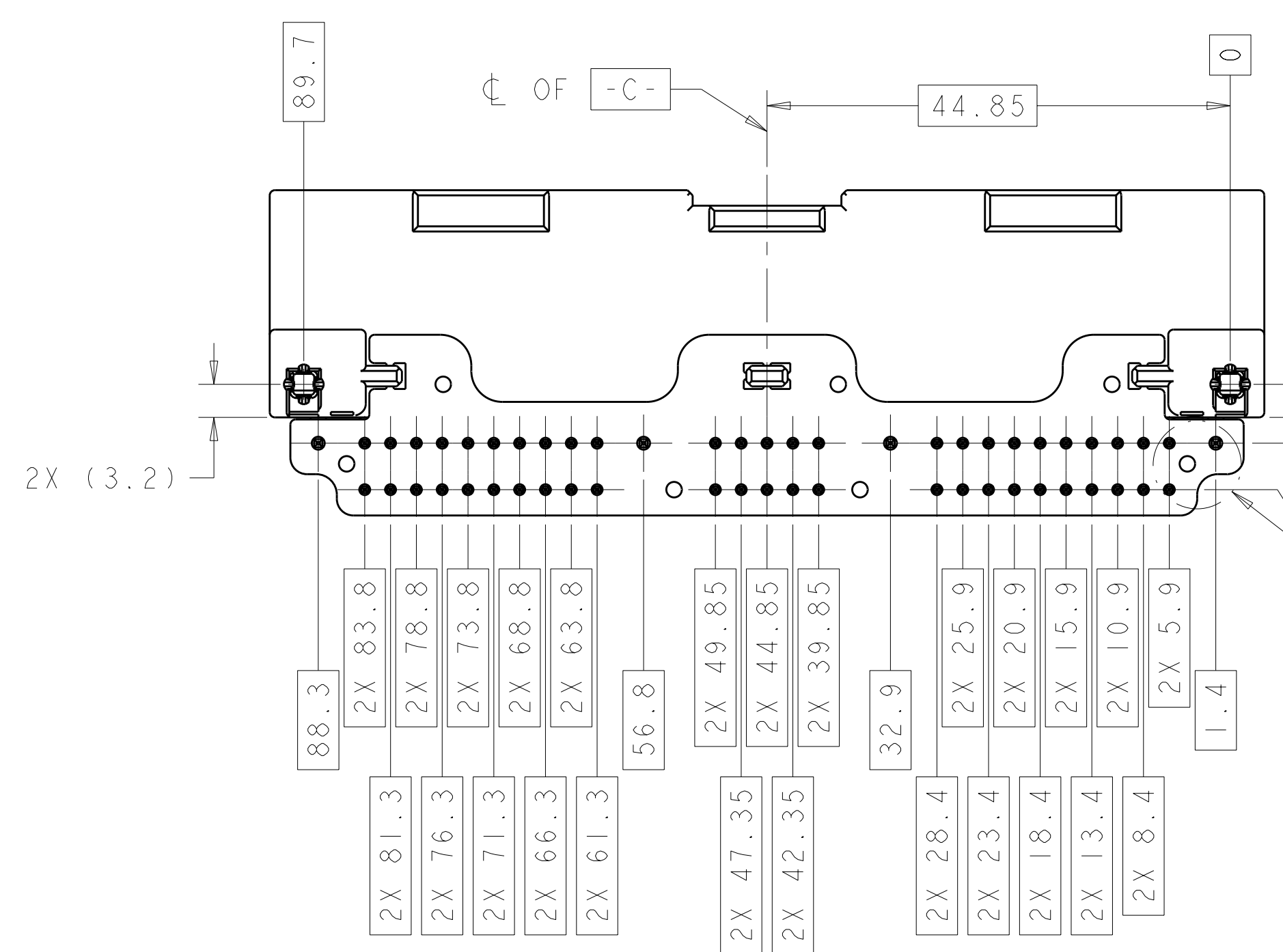
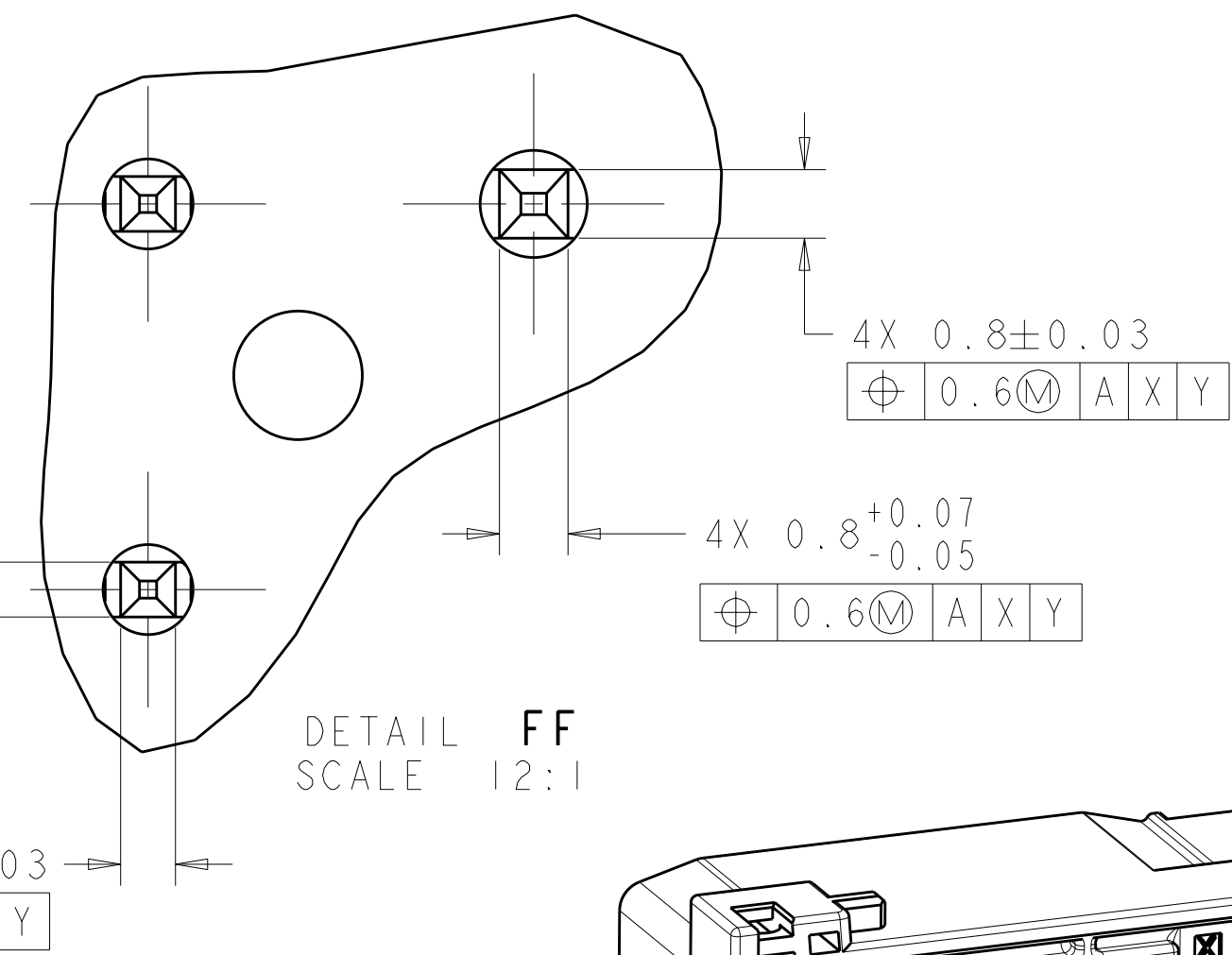
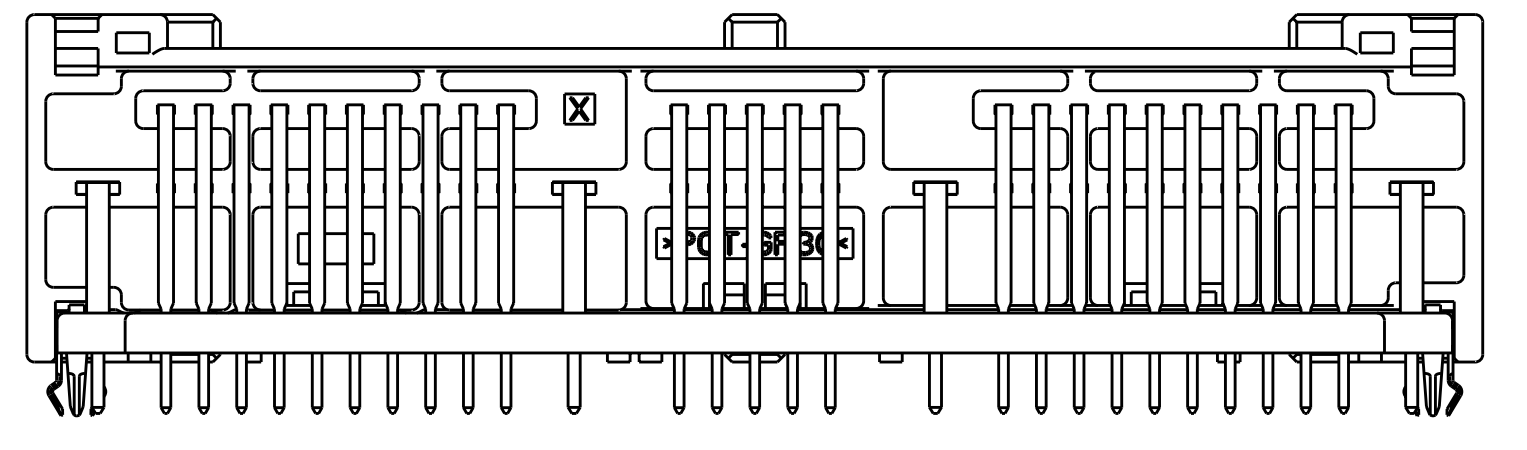
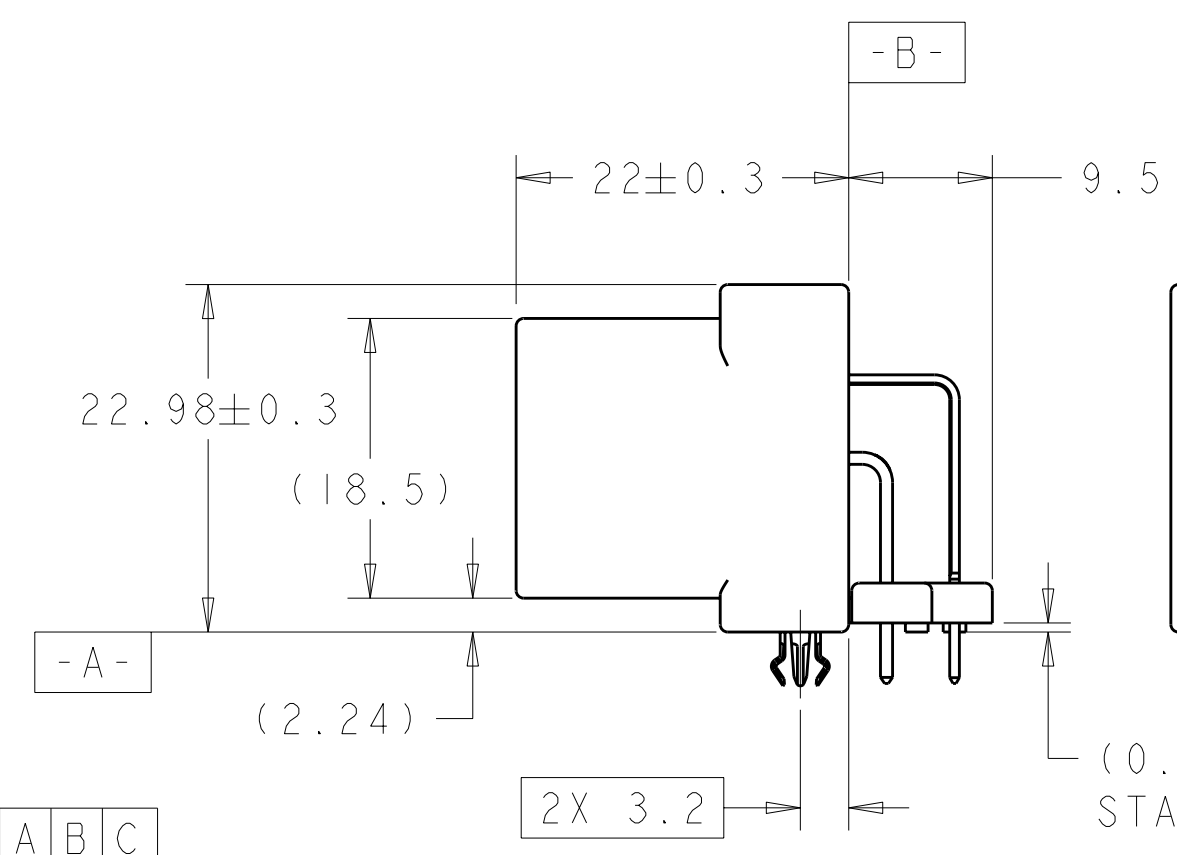
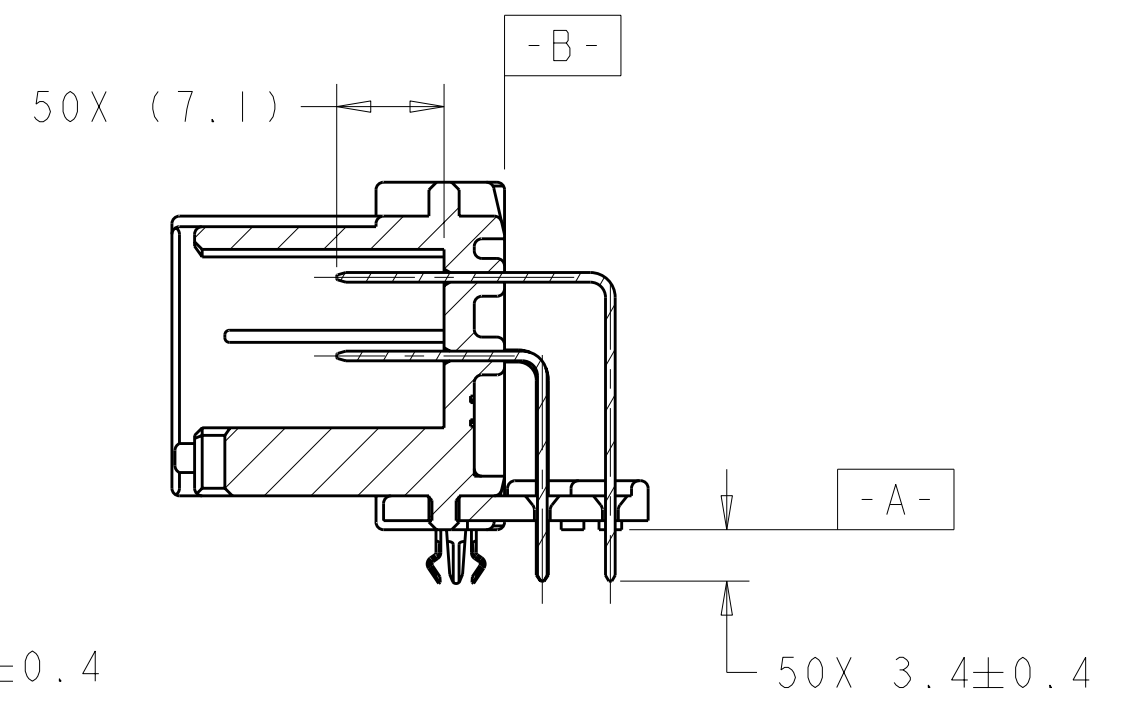
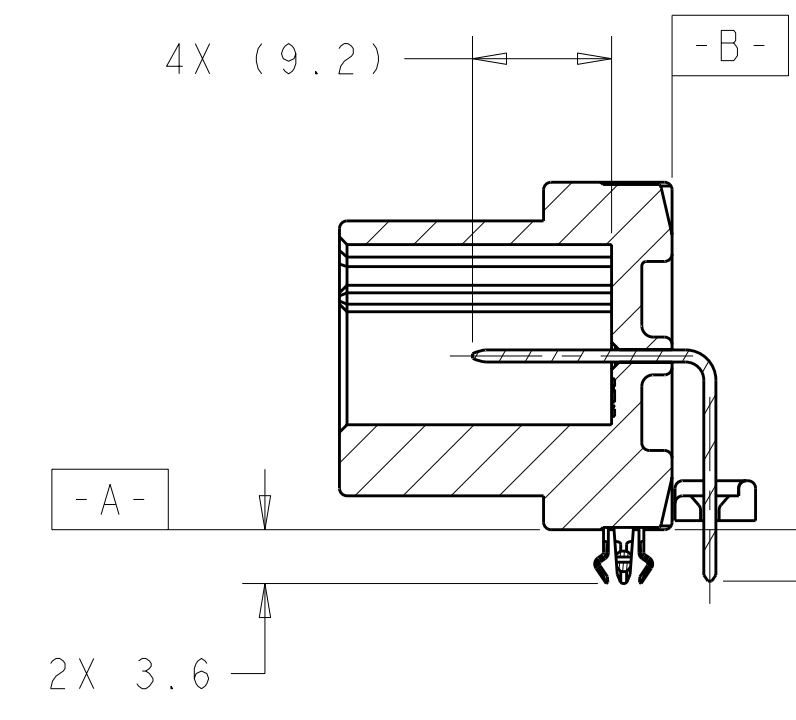
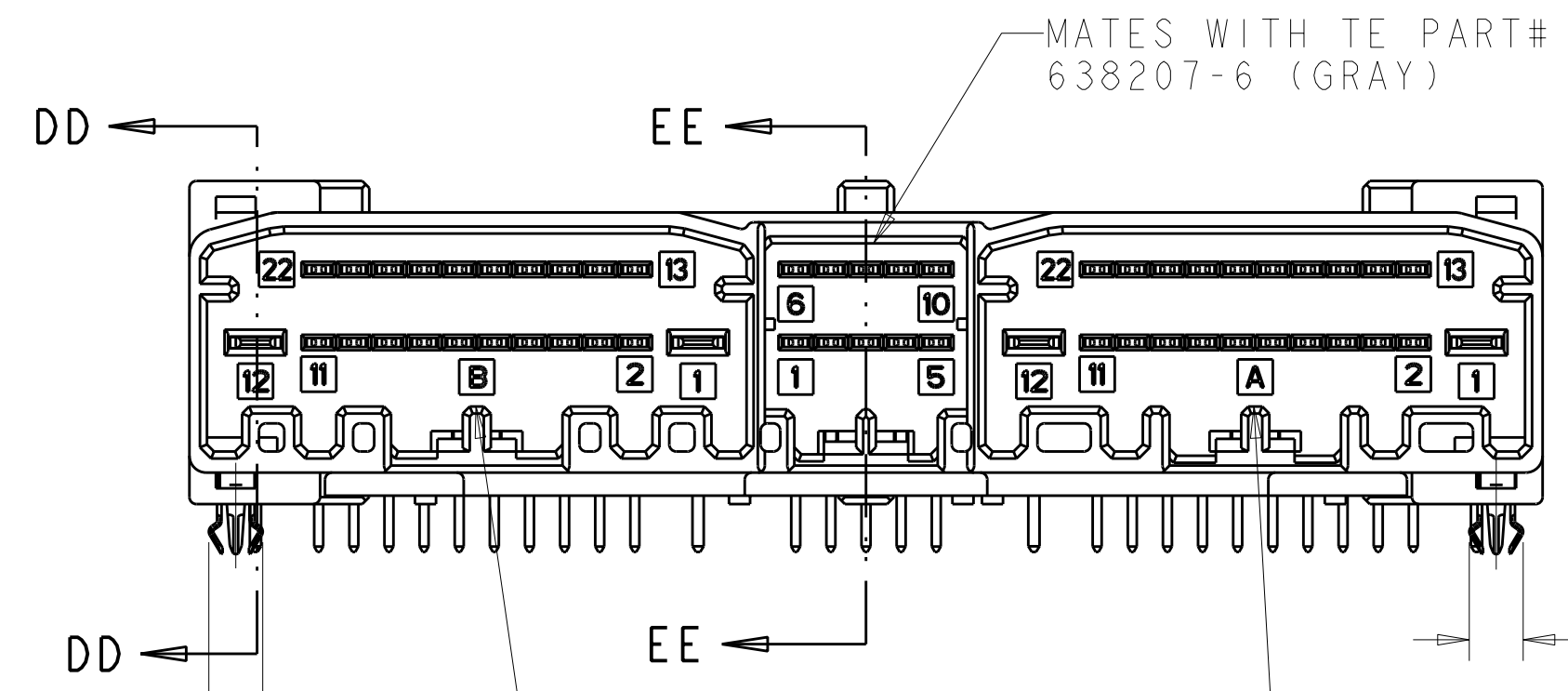
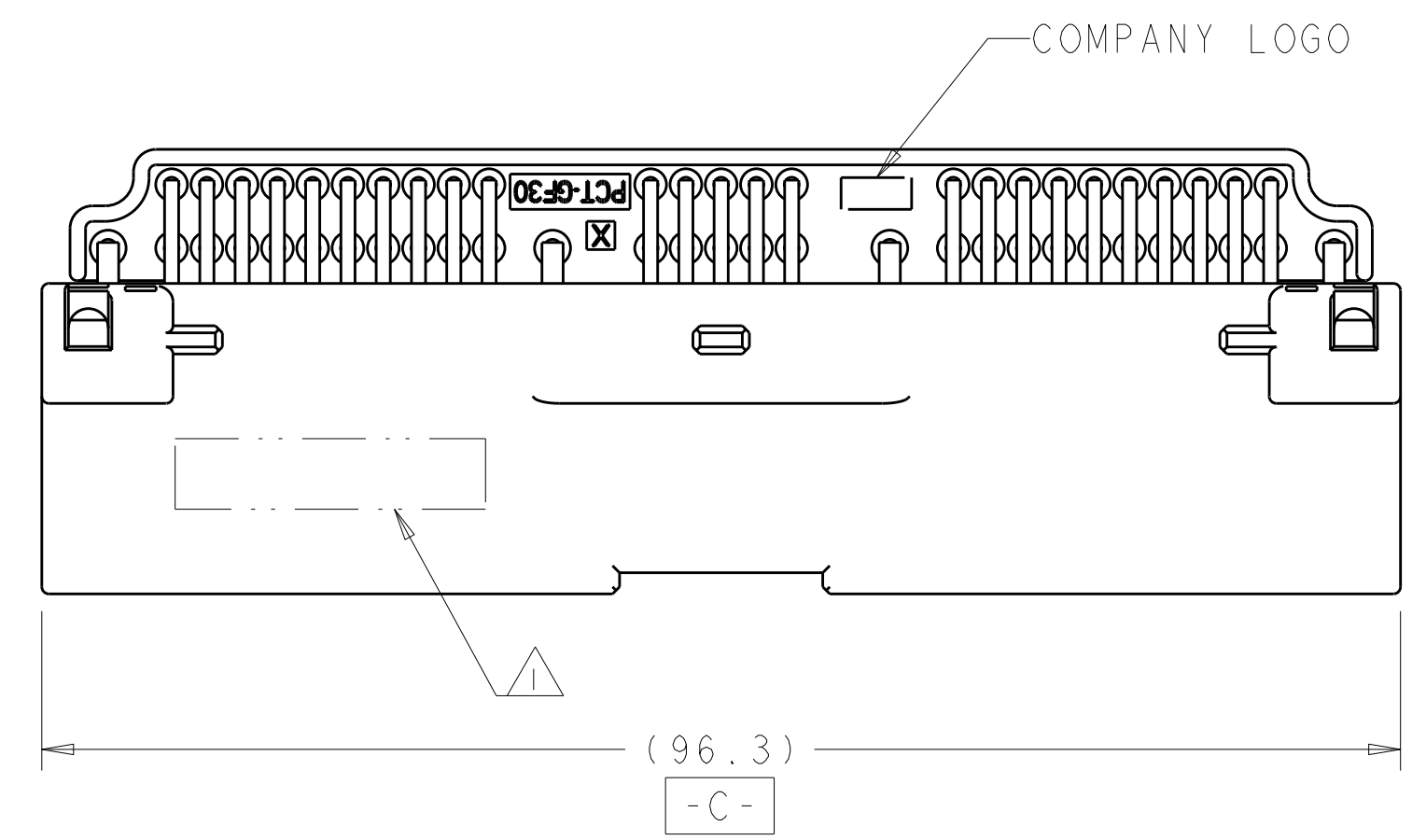
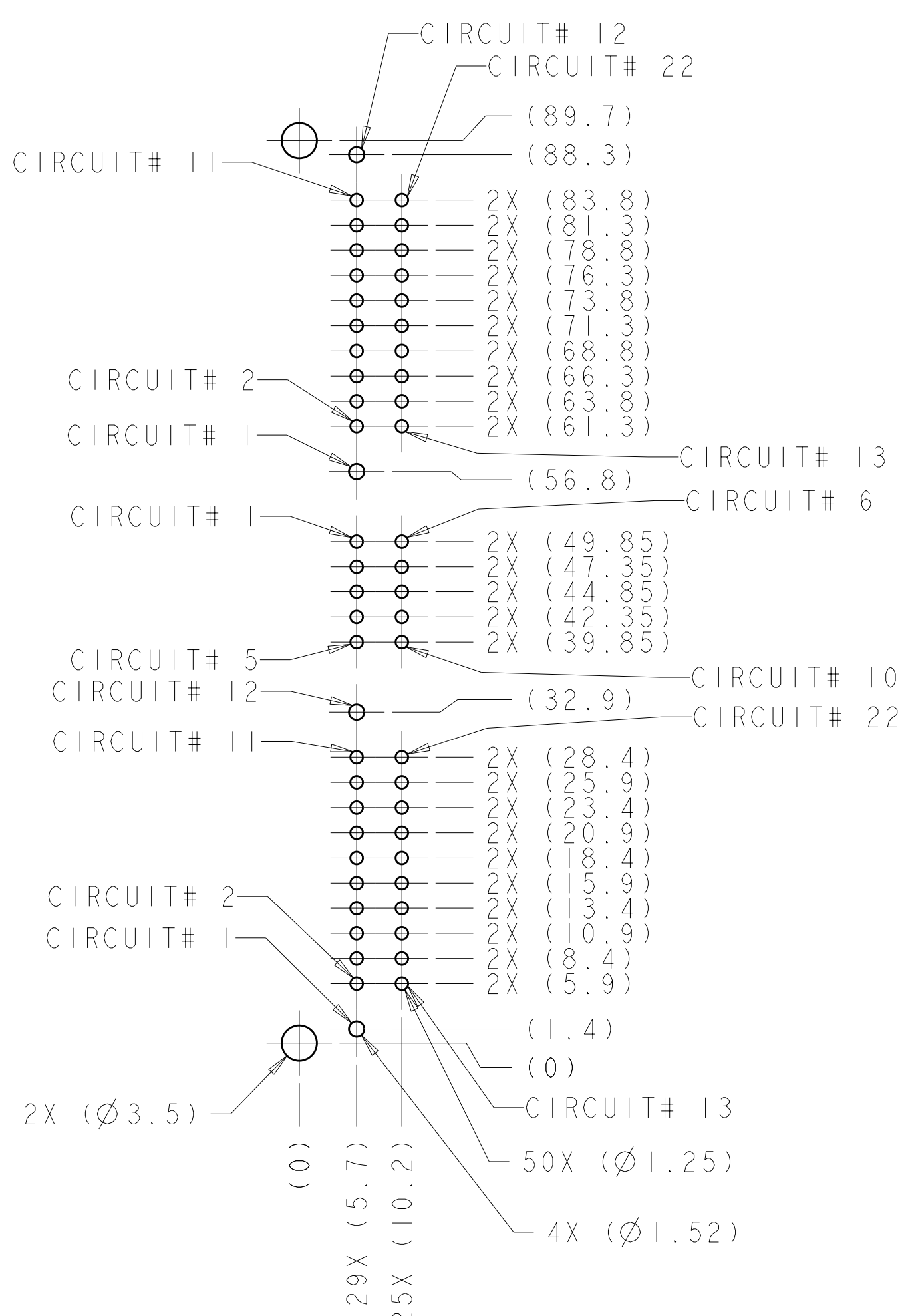


LOC	DIST	REV	DATE	BY	APPD
FX	00				
C		REV PER ECR-06-000886	09MAR2006	MBH	AV
C1		REV PER ECR-06-021177	27FEB2007	AH	CS
C2		REVISED PER ECO-09-016926	20JUL2009	DLD	MHB
C3		REV PER ECR-10-012887	17JUN2010	VSS	MB



PCT	GRAY	BRASS	PRE-TIN	BRASS	POST-TIN	PCT	GRAY	9-1438743-6
MATERIAL	FINISH	MATERIAL	FINISH	MATERIAL	FINISH	MATERIAL	COLOR	PART NO
TINE PLATE		BOARDLOCK		CONTACT		HOUSING		
DIMENSIONS:				TOLERANCES UNLESS OTHERWISE SPECIFIED:				DWN 27 JUL 2004
mm				9 PLC ±0.0				CHK A. VASINDR 27 JUL 2004
				1 PLC ±0.3				APPD T. MEHAFFEY 27 JUL 2004
				5 PLC ±0.1				NAME
				4 PLC ±				Tyco Electronics
				ANGLES				Tyco Electronics
MATERIAL				FINISH				114-13158
SEE TABLE				SEE TABLE				00779 C=1438743
				WEIGHT				SCALE 2:1 SHEET 1 OF 1 REV C3
				CUSTOMER DRAWING				RESTRICTED TO

NOTES:  
 △ MARK DATE CODE IN APPROXIMATE LOCATION.

单击下面可查看定价，库存，交付和生命周期等信息

[>>TE Connectivity\(泰科\)](#)