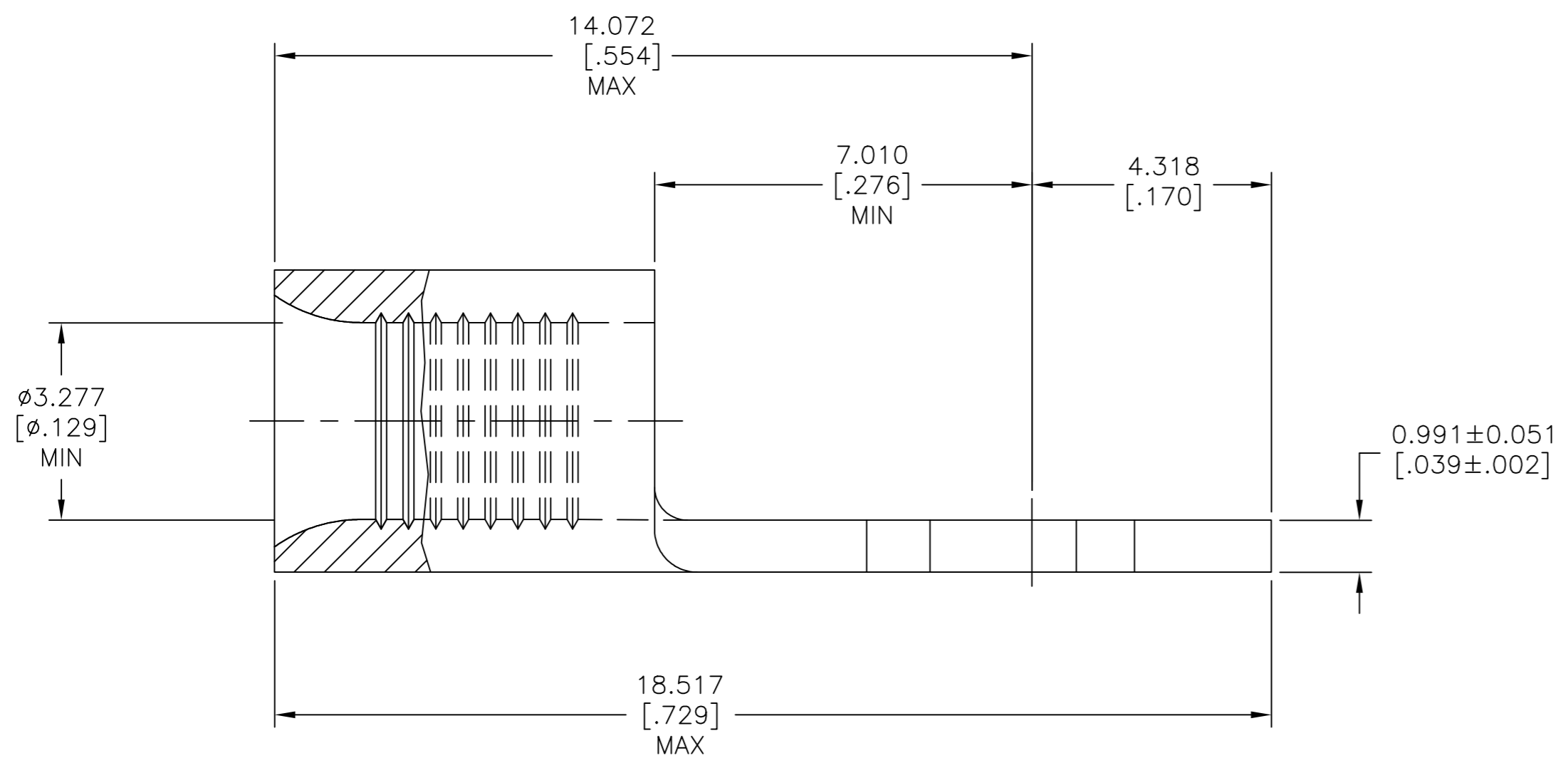
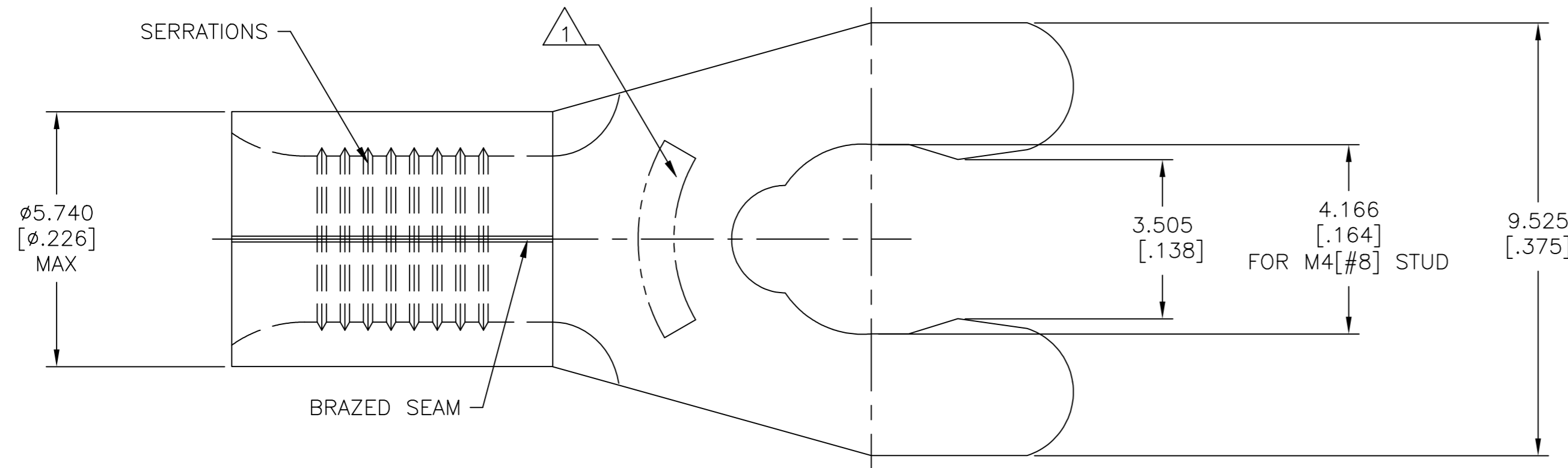


THIS DRAWING IS UNPUBLISHED. RELEASED FOR PUBLICATION
 © COPYRIGHT - TE Connectivity Ltd. ALL RIGHTS RESERVED.

P	LTR	DESCRIPTION	DATE	DWN	APVD
C		REV, RDRW, & SM PKG PER 0720-0040-93	3-29-93	-	DAP
C1		REVISED PER ECO-17-008808	09FEB2018	RS	DR



WIRE RANGE	E13288 Listed
12-10 AWG SOLID OR STRANDED	12-10 AWG STRANDED
MILITARY P/N AND CLASS	
12-10 AWG SOLID OR STRANDED	NOT APPLICABLE

△ 1 STAMP 8S AMP 12-10* APPROX AS SHOWN
 8S INDICATES STUD SIZE

2500	ON TAPE	53127-2
500	LOOSE PIECE	53127-1
QUANTITY	PACKAGE TYPE	PART NO

AMP INCORPORATED CUSTOMER SERVICE SYSTEMS		THIS DRAWING IS A CONTROLLED DOCUMENT.		DWN TA BRINKMAN 3-29-93 CHK DA PATTERSON 3-29-93 APVD DE MILLER 3-29-93	TE Connectivity Ltd.
FOR ADDITIONAL PRODUCT INFORMATION OR COPIES OF DRAWINGS AND TECHNICAL DOCUMENTS PRODUCT INFORMATION CENTER 1-800-522-6752	MAX RECOMMENDED OPERATING TEMPERATURE: 170°C [338°F] MAX	DIMENSIONS: mm [INCHES]	TOLERANCES UNLESS OTHERWISE SPECIFIED: 0 PLC ± - 1 PLC ± - 2 PLC ± - 3 PLC ± 0.127[.005] 4 PLC ± - ANGLES ± -	NAME UL 486 A-B APPLICATION SPEC	TERMINAL, SHORT SPRING SPADE, SOLISTRAND™ 12-10 AWG
FOR APPLICATION TOOLING INFORMATION TOOLING ASSISTANCE CENTER 1-800-722-1111	VOLTAGE RATING: NOT APPLICABLE		MATERIAL PHOSPHOR BRONZE PER ASTM B-103 ANNEALED	FINISH TIN PLATE .00254[.000100] MIN THK PER ASTM B545	SIZE CAGE CODE DRAWING NO RESTRICTED TO A2 00779 C=53127 -
FOR ORDER ENTRY 1-800-526-5142	WIRE CROSS SECTIONAL AREA RANGE: 2.62-6.64mm²[5,180-13,100] CIR MILS SOLID OR STRANDED	WEIGHT CUSTOMER DRAWING	SCALE 10:1	SHEET 1 OF 1	REV C1

单击下面可查看定价，库存，交付和生命周期等信息

[>>TE Connectivity\(泰科\)](#)