

1. INTRODUCTION

This instruction sheet covers mounting and wiring information for the AGASTAT* GP and TR Series Control Relays (see Figure 1). Read these instructions thoroughly before mounting the relay.

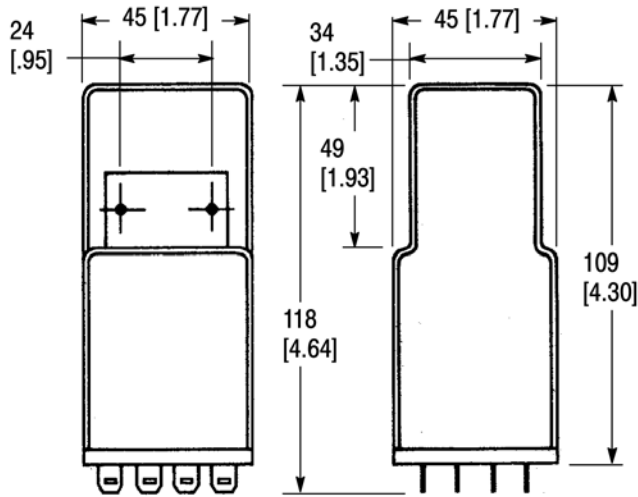


Dimensions in this instruction sheet are in millimeters [with inches in brackets]. Figures are not drawn to scale.

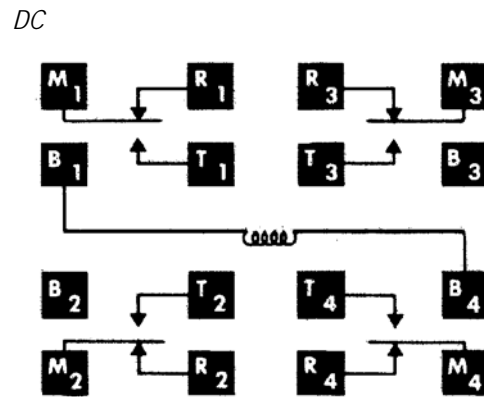
2. DESCRIPTION

Each relay is an accurate instrument using a minimum of moving parts. When satisfactory performance cannot be restored, the unit should be returned to TE Connectivity for repair or replacement.

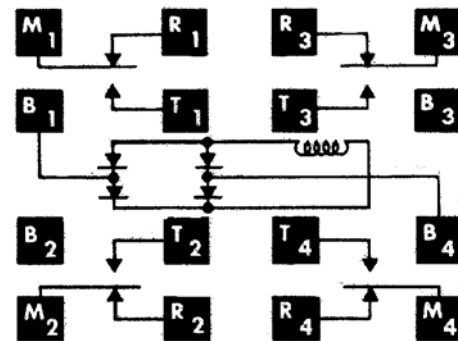
See Figure 2 for mounting hardware.



GP Series Terminal Diagram



AC



TR Series Terminal Diagram

AC and DC

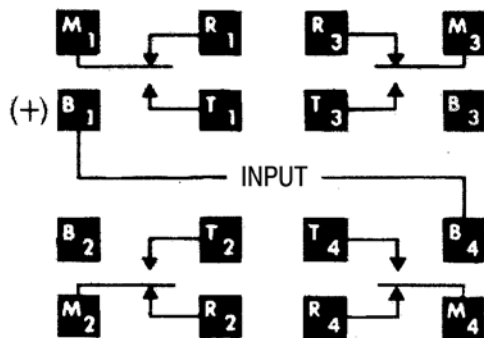
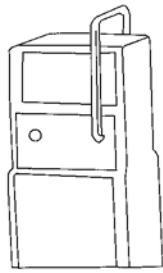
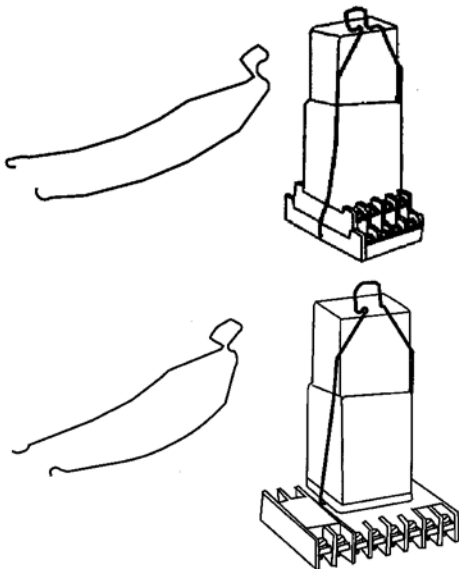
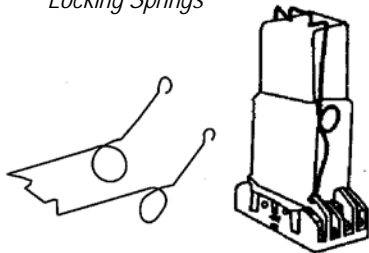


Figure 1

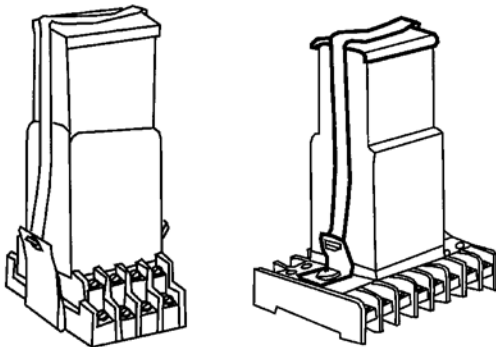


Extracting Handle

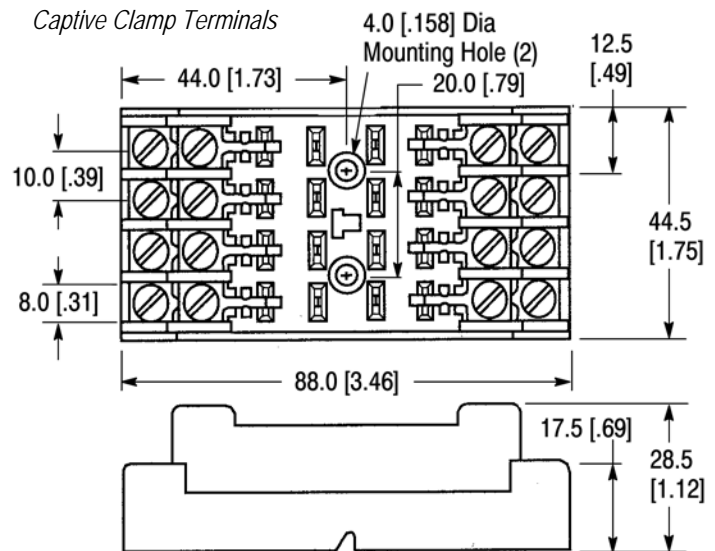
Locking Springs



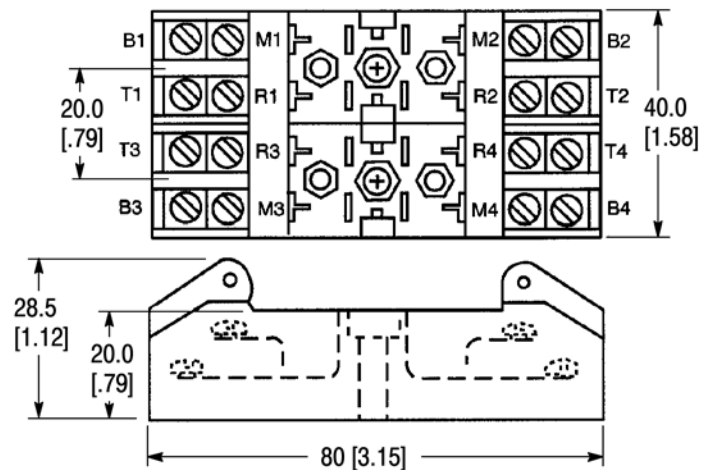
Heavy Duty Locking Straps



Captive Clamp Terminals



Screw Terminals (No. 6)



Screw Terminals (Type Z No. 6)

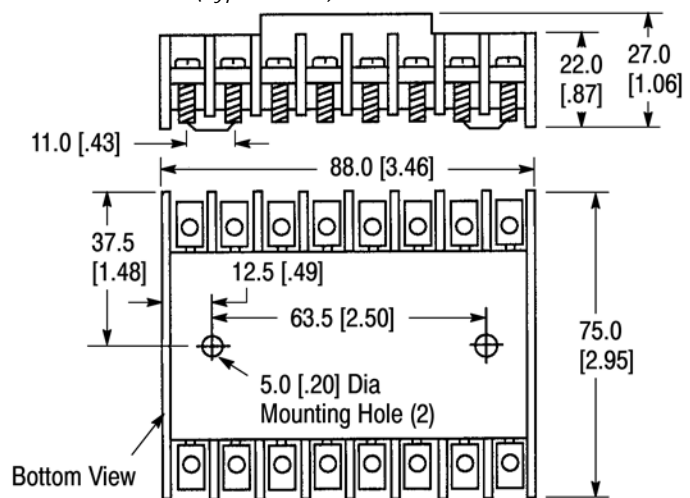


Figure 2

3. REVISION SUMMARY

Since the previous version of this document, the following changes were made:

- Removed references to ML series relays.
- Changed company name and logo.

单击下面可查看定价，库存，交付和生命周期等信息

[>>TE Connectivity\(泰科\)](#)