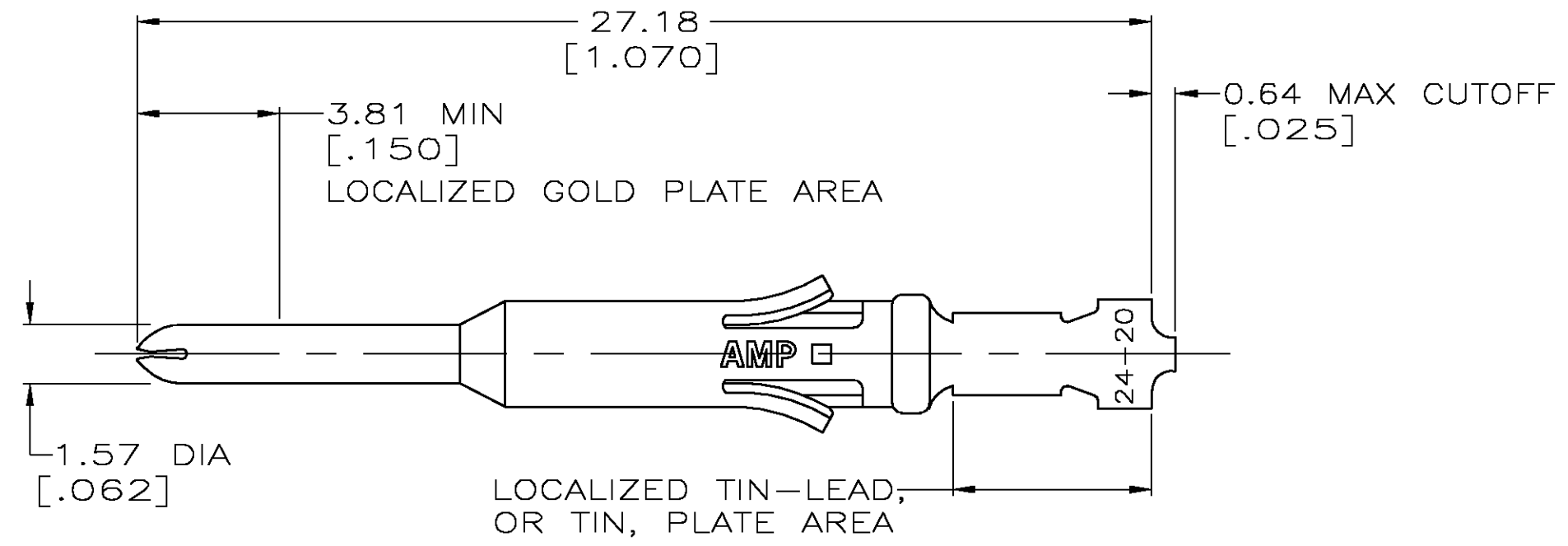


THIS DRAWING IS UNPUBLISHED. RELEASED FOR PUBLICATION
 © COPYRIGHT BY TYCO ELECTRONICS CORPORATION. ALL RIGHTS RESERVED.

LOC	DIST	REVISIONS			
P	LTR	DESCRIPTION	DATE	DWN	APVD
BD	39	F	0G3B-0317-03	24APR03	TK GS



1. WIRE RANGE 24-20 AWG.
2. INSULATION RANGE 1.02-2.03 [.040-.080] DIA.
3. 0.76µm [.000030] MIN GOLD IN LOCALIZED GOLD PLATE AREA, 1.27µm [.000050] MIN TIN-LEAD IN LOCALIZED TIN-LEAD PLATE AREA, BOTH OVER 1.27µm [.000050] MIN NICKEL.
4. TIN PLATED.
5. GOLD PLATING PER MIL-G-45204, TIN PER MIL-T-10727 AND NICKEL PER QQ-N-290.
6. 0.76µm [.000030] MIN GOLD IN LOCALIZED GOLD PLATE AREA, 1.27µm [.000050] MIN TIN IN LOCALIZED TIN PLATE AREA, BOTH OVER 1.27µm [.000050] MIN NICKEL.

STRIP REF	FINISH	PART NO
1-66583-0	6	66593-4
66583-4	3	66593-2
66583-2	4	66593-1

THIS DRAWING IS A CONTROLLED DOCUMENT.		DWN D.HARDY 06/15/94	Tyco Electronics Corporation Harrisburg, Pa	
DIMENSIONS: INCHES		CHK R.STONE 06/22/94		
TOLERANCES UNLESS OTHERWISE SPECIFIED:		APVD G.STEINHAUER 06/27/03	NAME CONTACT, PIN, LOOSE PIECE, TYPE VI, MULTIMATE	
0 PLC ± - 1 PLC ± - 2 PLC ± 0.13 [.005] 3 PLC ± - 4 PLC ± - ANGLES ± -		PRODUCT SPEC -	SIZE A3	
MATERIAL BRS PER MIL-C-50		FINISH SEE TABLE	CAGE CODE 00779	DRAWING NO C-66593
CUSTOMER DRAWING			RESTRICTED TO -	SCALE 6:1
			SHEET 1 OF 1	REV F

单击下面可查看定价，库存，交付和生命周期等信息

[>>TE Connectivity\(泰科\)](#)