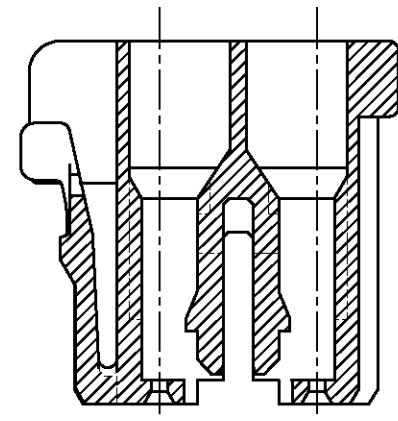
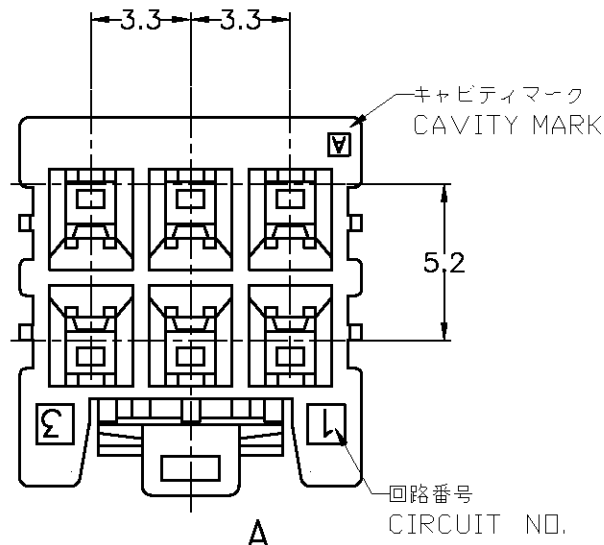


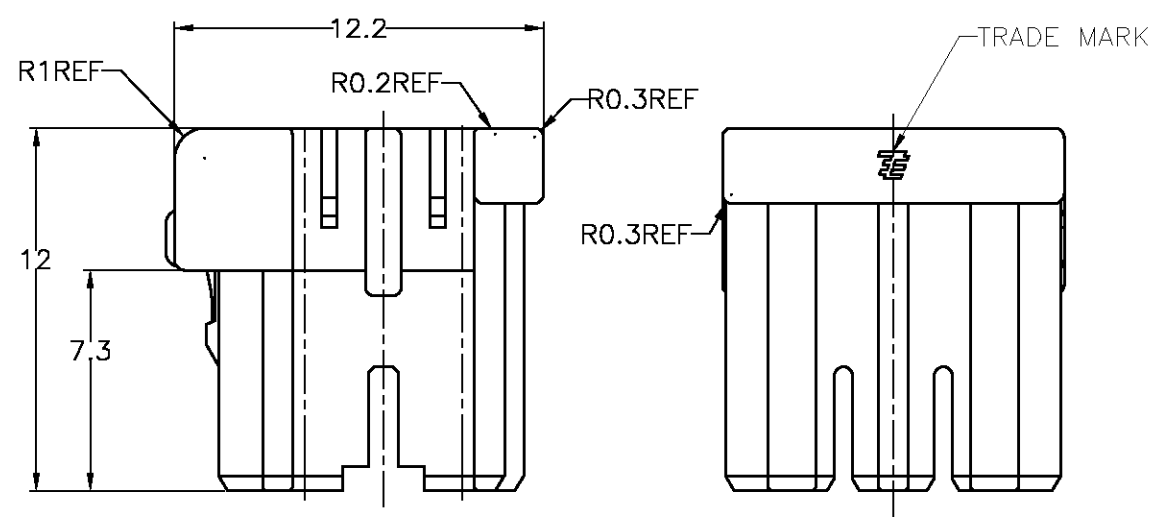
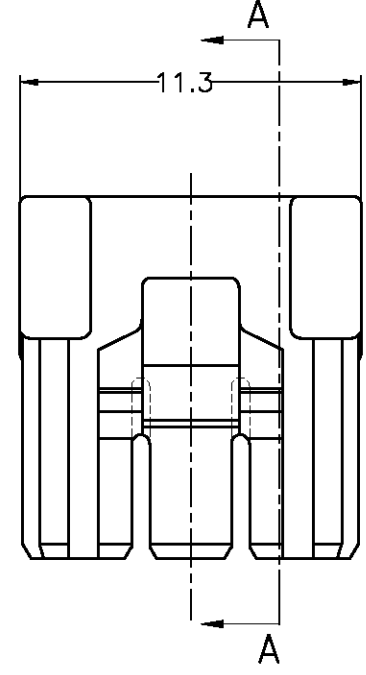
THIS DRAWING IS UNPUBLISHED. RELEASED FOR PUBLICATION
 © COPYRIGHT BY TYCO ELECTRONICS CORPORATION. ALL RIGHTS RESERVED.

LOC	DIST	REVISIONS					
J	—	P	LTR	DESCRIPTION	DATE	DWN	APVD
			E1	REVISED PER ECR-10-019980	01OCT10	HMR	TM



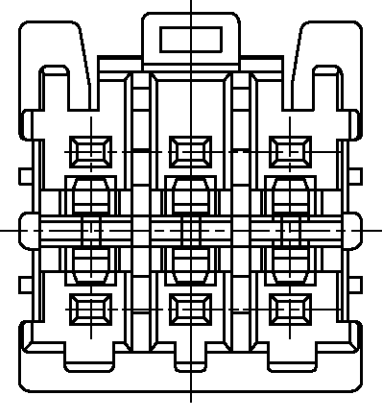
TABLE

プラグハウジング (PLUG HOUSING)	6/6ナイロンガラス強化 (6/6 NYLON GRASS FILLED) (UL94V-0)
名称 (NAME)	材料 (MATERIAL)



注) かん合相手製品型番:
 ヘッダーアッセンブリ: SEE TABLE
 リセコンタクト: 1827395-1

NOTES)
 MATING CONN. P/N
 HEADER ASSEMBLY: SEE TABLE
 REC CONTACT: 1827395-1



2-1827392-1	BLUE	2-1827386-1
1827392-1	NATURAL	1827386-1
MATING CONN. P/N	COLOR	PART NUMBER

THIS DRAWING IS A CONTROLLED DOCUMENT.		DWN A.OISHI 10DEC2004	Tyco Electronics AMP K.K. Kawasaki, Japan	
DIMENSIONS: 単位: 耗 mm		CHK N.YAMASAKI 10DEC2004	NAME GRACE INERTIA CONNECTOR 3.3 PLUG HOUSING 6POS.	
TOLERANCES UNLESS OTHERWISE SPECIFIED: 一般公差		APVD N.YAMASAKI 10DEC2004	PRODUCT SPEC 製品規格 108-78231	
0 PLC ± 0.3		APPLICATION SPEC 取付適用規格 114-5372		
1 PLC ± 0.3		SIZE A3		
2 PLC ± 0.25		CAGE CODE 00779		
3 PLC ± -		DRAWING NO C-1827386		
4 PLC ± -		RESTRICTED TO -		
ANGLES ± -		SCALE 尺度 4:1		
FINISH 仕上 -		SHEET 1 OF 1		
MATERIAL 材料 SEE TABLE		REV E1		
CUSTOMER DRAWING				

单击下面可查看定价，库存，交付和生命周期等信息

[>>TE Connectivity\(泰科\)](#)