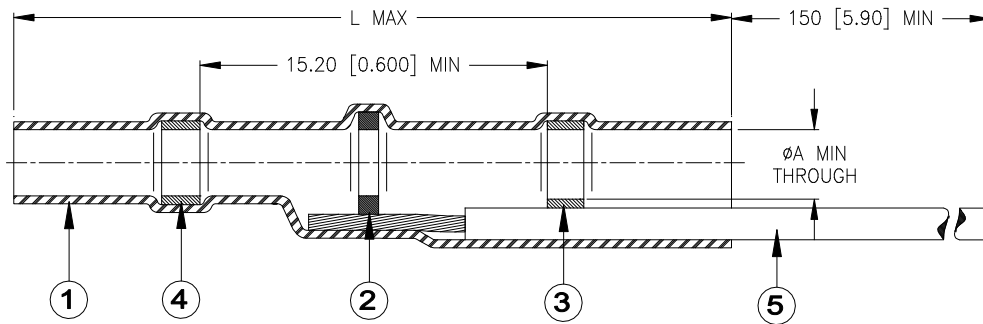


## CUSTOMER DRAWING



Product Name	Product Dimensions		Cable Dimensions			Qty: Item 2
	ØA min	L max	ØD max	ØE min	ØF min	
B-155-3803-WX	2.7 [0.105]	42.0 [1.655]	2.7 [0.105]	1.8 [0.070]	1.3 [0.050]	1
B-155-3805-WX	4.5 [0.180]	42.0 [1.655]	4.5 [0.180]	2.3 [0.090]	1.8 [0.070]	1
B-155-3806-WX	6.0 [0.235]	42.0 [1.655]	6.0 [0.235]	3.3 [0.130]	2.8 [0.110]	1
B-155-3807-WX	7.0 [0.275]	42.0 [1.655]	7.0 [0.275]	3.7 [0.145]	3.2 [0.125]	1
B-155-3809-WX	8.7 [0.340]	42.0 [1.655]	8.7 [0.340]	4.2 [0.165]	3.7 [0.145]	2
B-155-3811-WX	10.7 [0.420]	41.5 [1.630]	10.7 [0.420]	7.1 [0.280]	6.6 [0.260]	2

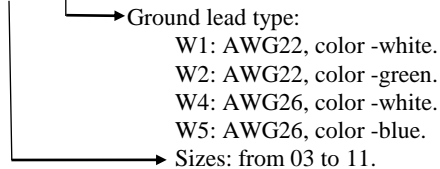
\*Consult Tyco Electronics for individual product revision. Contains more than 1 part name.

### MATERIALS

- INSULATION SLEEVE: Heat-shrinkable, transparent clear, radiation cross-linked modified polyolefin.
- SOLDER PREFORM WITH FLUX. Qty: see table (one solder washer shown).  
SOLDER: TYPE Sn42Bi58 per ANSI / J-STD-006.  
FLUX: TYPE ROM1 per ANSI / J-STD-004.
- MELTABLE RING: Thermally stabilized thermoplastic. Color: clear.
- MELTABLE RING: Thermally stabilized thermoplastic. Color: blue.
- GROUND LEAD: W1/W2: Raychem 35C0211 tin-plated copper; W4/W5: MIL-W-81822/13 solid silver-plated copper.

Part number:

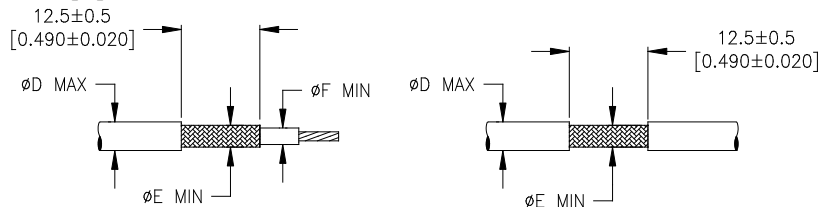
B-155-38XX-WX



### APPLICATION

- These controlled soldering devices are designed for termination of bare or tin-plated copper shield on a cable, rated for at least +85°C and meeting the dimensional criteria listed in the table above.
- Temperature range: -55°C to +125°C.
- When installed properly, it will meet the performance requirements of TE Connectivity/ Raychem Specification RT-1404.
- For installation procedure and application equipment, consult RPIP-824-00.

For best results, prepare the cable as shown:



		<b>Raychem DEVICES</b>		<b>TITLE: SOLDERSLEEVE ONE-STEP SHIELD TERMINATION WITH PRE-INSTALLED LEAD, LOW TEMPERATURE*</b>		
Unless otherwise specified dimensions are in millimeters. [Inches dimensions are shown in brackets]				<b>DOCUMENT NO.:</b> <b>B-155-38XX-WX</b>		
<b>TOLERANCES:</b> 0.00 N/A 0.0 N/A 0 N/A		<b>ANGLES:</b> N/A		<b>TE Connectivity reserves the right to amend this drawing at any time. Users should evaluate the suitability of the product for their application.</b>		
<b>ROUGHNESS IN MICRON</b>		<b>ROUGHNESS IN MICRON</b>				
<b>PREPARED BY:</b> M. FORONDA		<b>CAGE CODE:</b> 06090		<b>DATE:</b> 21-Apr-2020		<b>SHEET:</b> 1 of 1
<b>ECO NUMBER:</b> ECO-20-005249		<b>SCALE:</b> NTS		<b>SIZE:</b> A		

© 2020 TE Connectivity Ltd. Family of Companies. All Rights Reserved.

If this document is printed it becomes uncontrolled. Check for the latest revision.

\*TE Connectivity, TE connectivity (logo), Raychem, SolderSleeve are trademarks

单击下面可查看定价，库存，交付和生命周期等信息

[>>TE Connectivity\(泰科\)](#)