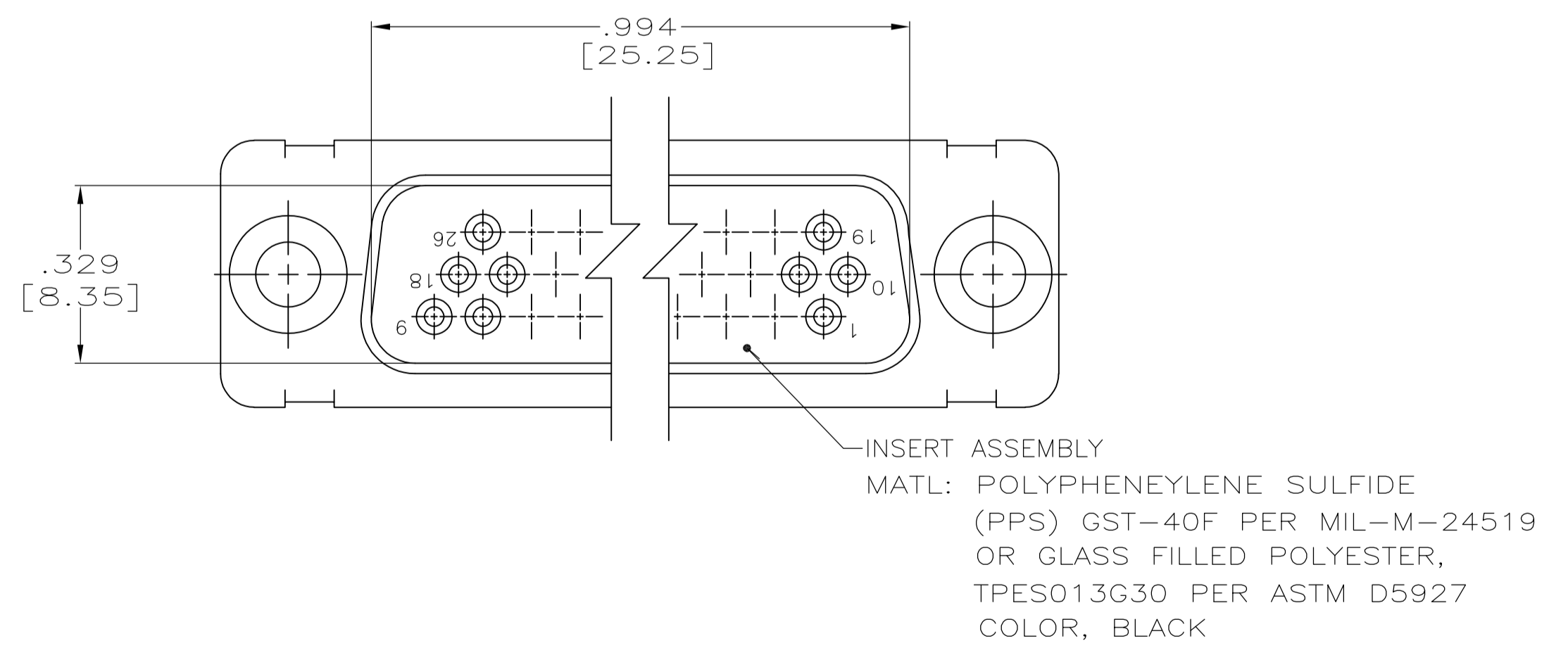
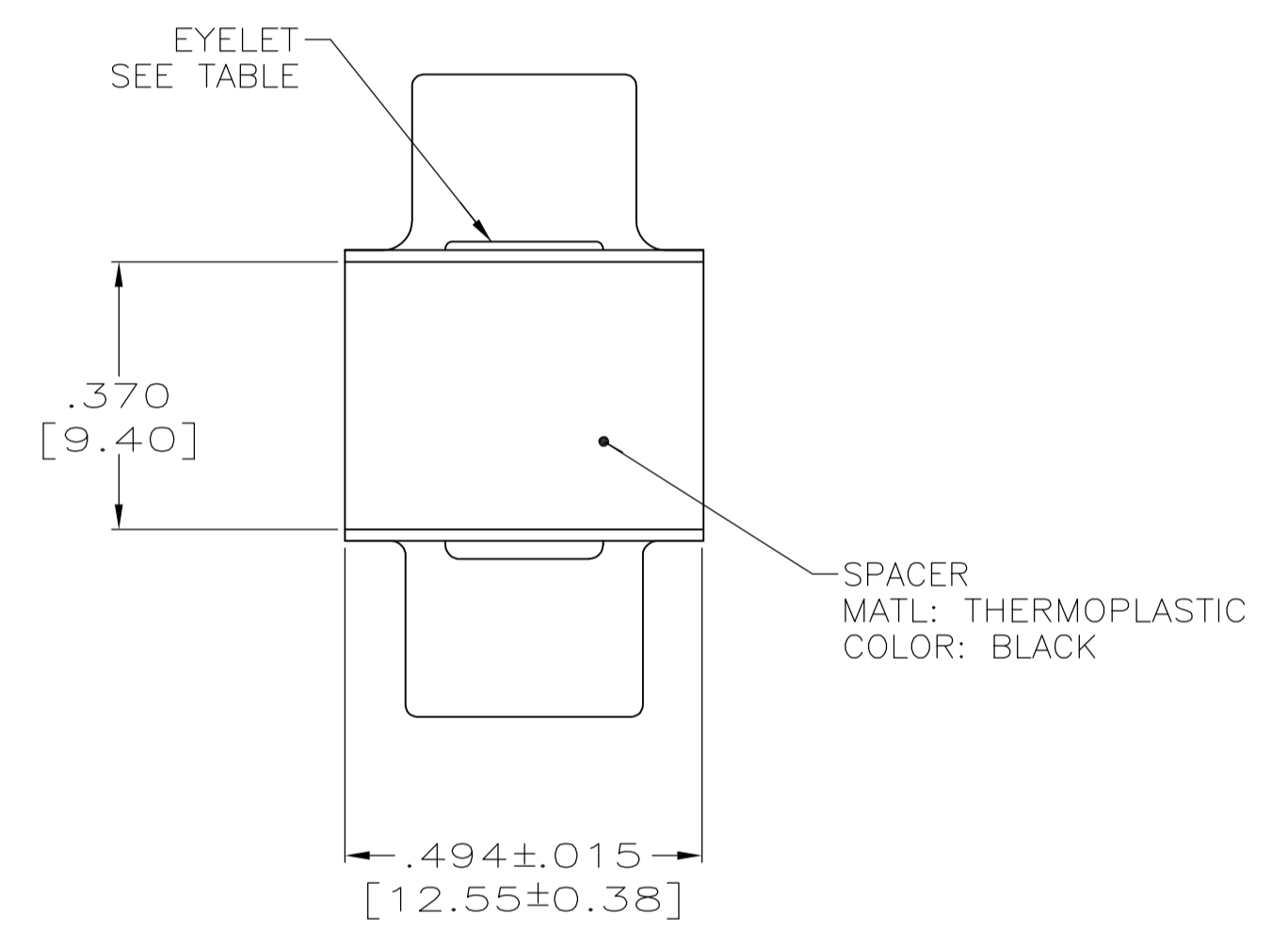
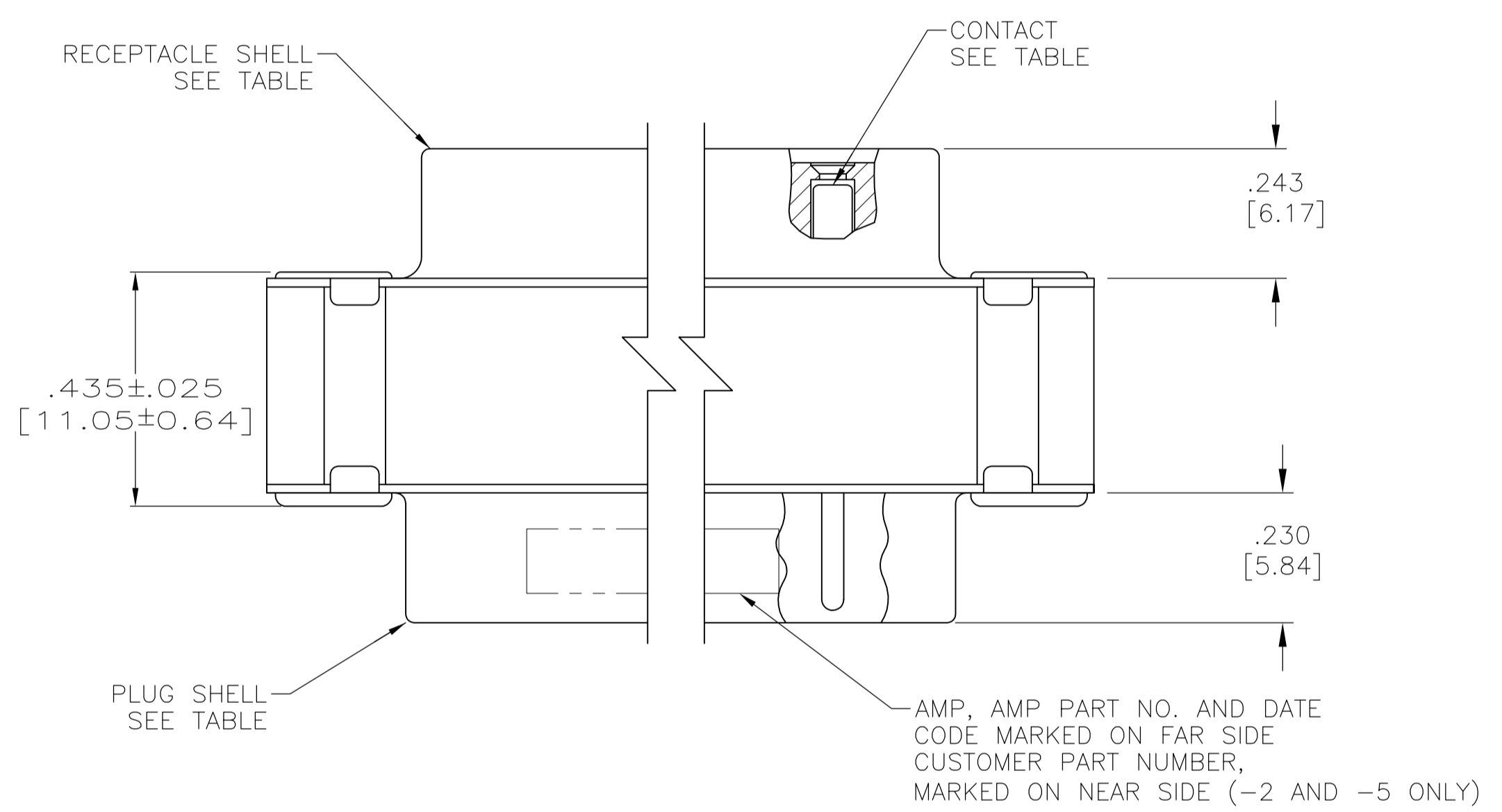
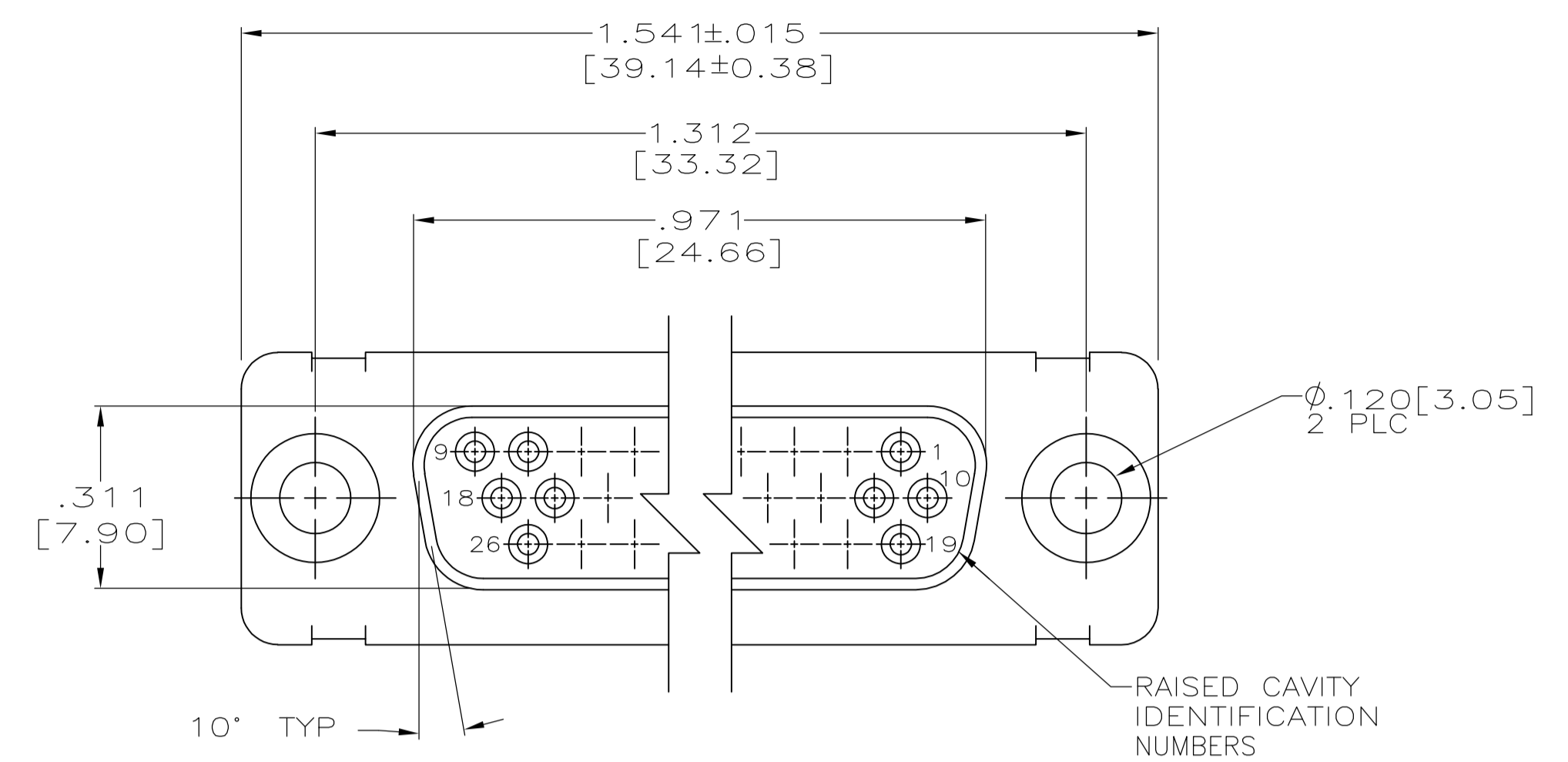
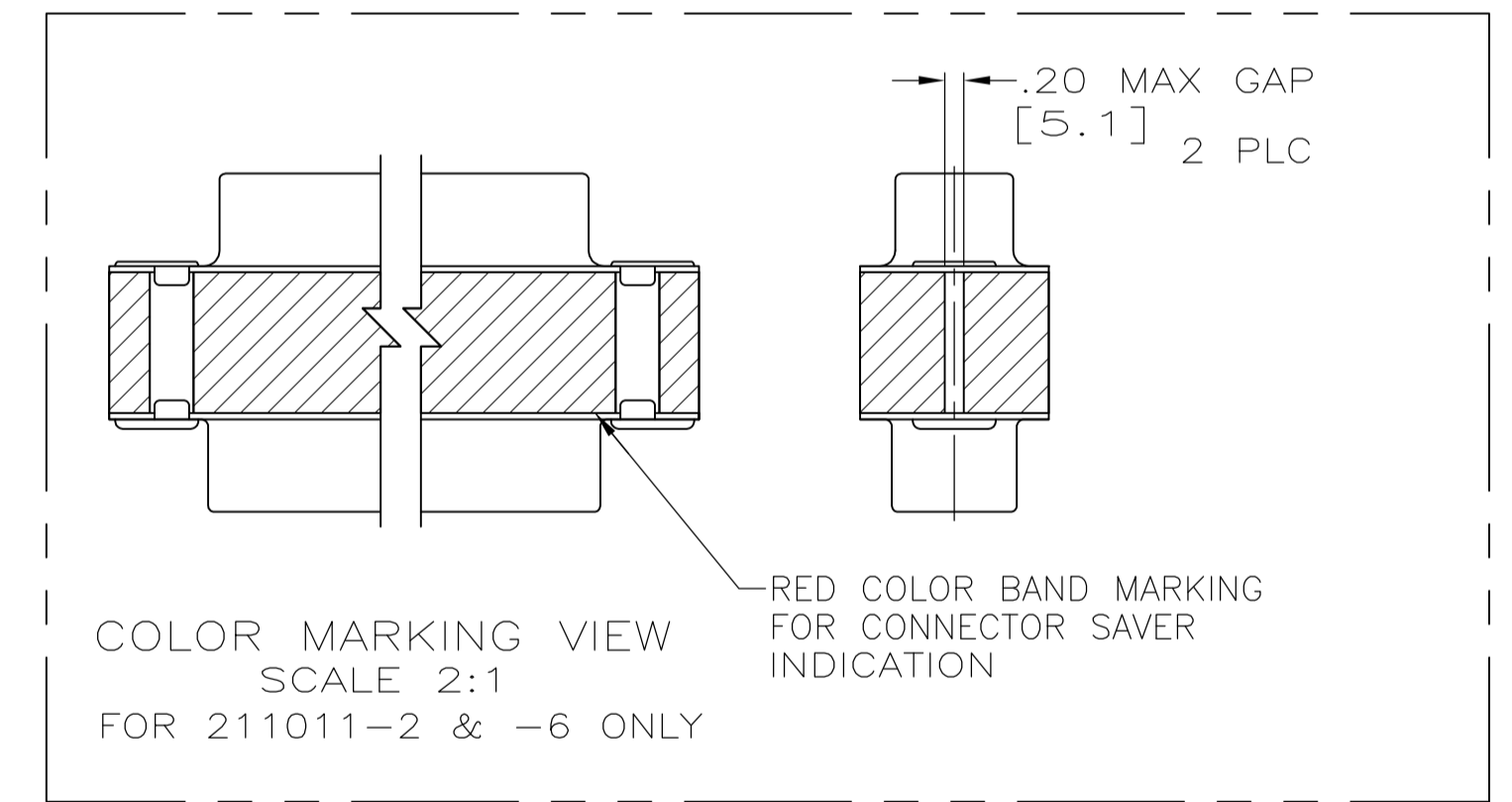


REVISIONS					
P	LTR	DESCRIPTION	DATE	DMN	APVD
V		REV PER ECO 17-000132	5-1-17	CT	DM



- 1. CONTACTS INCLUDED IN ASSEMBLY.
- △ MAT'L: STEEL, PER ASTM-A-109.
- △ FINISH: CADMIUM PER QQ-P-416.
- △ MAT'L: BRASS PER ASTM-B-36.
- △ FINISH: PLATED ZINC .00020 MIN THK PER ASTM-B-633. YELLOW CHROMATE FINISH.
- △ CONTACT
- BODY MAT'L: BERYLLIUM COPPER PER ASTM-B-197.
- BODY FINISH: PLATED GOLD, .000050 MIN THK PER MIL-G-45204 OVER NICKEL, .000050 MIN THK PER QQ-N-290.
- HOOD MAT'L: STAINLESS STEEL PER ASTM-A-240.
- HOOD FINISH: PASSIVATED PER QQ-P-35
- △ FINISH: PLATED GOLD, .000050 MIN THK PER MIL-G-45204 OVER COPPER FLASH
- △ FINISH: PLATED GOLD, .000050 MIN THK PER MIL-G-45204 OVER COPPER, .000100 MIN THK PER MIL-C-14550.
- △ CONTACT
- BODY MAT'L: BERYLLIUM COPPER PER ASTM-B-197.
- BODY FINISH: PLATED GOLD, .000050 MIN THK PER MIL-G-45204 OVER COPPER, .000100 MIN THK PER MIL-C-14550.
- HOOD MAT'L: COPPER ALLOY PER QQ-B-613.
- FINISH: PLATED GOLD, .000050 MIN THK PER MIL-G-45204 OVER COPPER, .000100 MIN THK PER MIL-C-14550.



△ △	△ △	△	4U884 SOCN R10002677-0107	211011-6
△ △	△ △	△	2A091-002W-001	211011-5
△ △	△ △	△	-	211011-4
△ △	△ △	△	-	211011-3
△ △	△ △	△	(1J02-107)	211011-2
△ △	△ △	△	-	211011-1
EYELET	SHELLS	CONTACT	CUSTOMER P/N	PART NO.

THIS DRAWING IS A CONTROLLED DOCUMENT.

DIMENSIONS: INCHES	TOLERANCES UNLESS OTHERWISE SPECIFIED:	DIN	C.C.THOMAS 11-3-98
0 PLC ± -	1 PLC ± -	CHK	J.NORTON 11-17-98
2 PLC ± -	3 PLC ± .005 [0.13]	APVD	J.NORTON 11-17-98
4 PLC ± -	ANGLES ± -	PRODUCT SPEC	-
MATERIAL	FINISH	APPLICATION SPEC	-
-	-	SIZE	CAGE CODE DRAWING NO
-	-	WEIGHT	0.000000 A1 00779 C=211011
CUSTOMER DRAWING		SCALE	4:1 SHEET 1 OF 1 REV V

STE TE Connectivity
CONNECTOR SAVER,AMPLIMITE 26 POSN.,SIZE 2,SERIES 90

单击下面可查看定价，库存，交付和生命周期等信息

[>>TE Connectivity\(泰科\)](#)