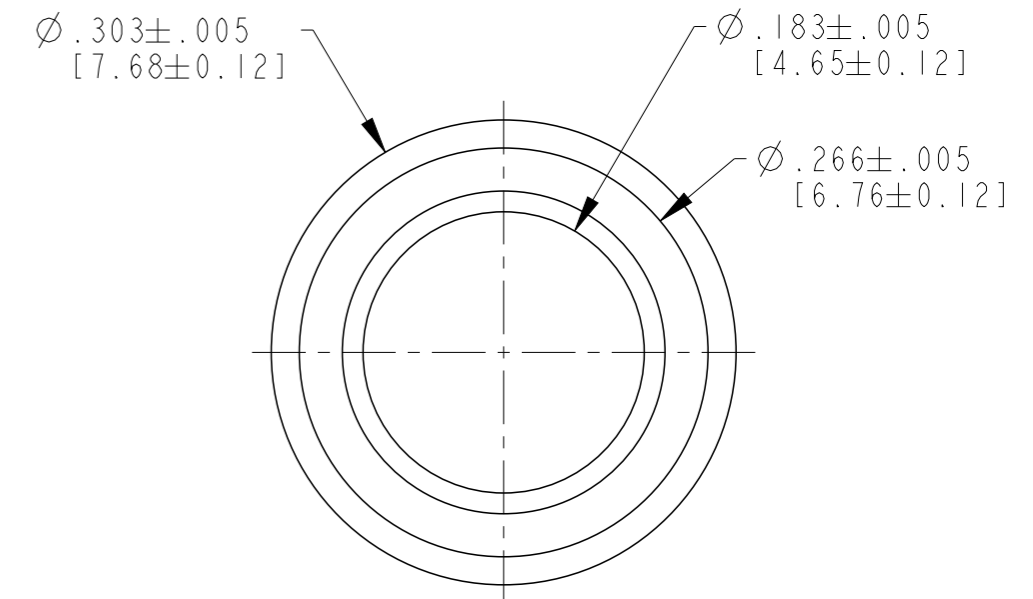
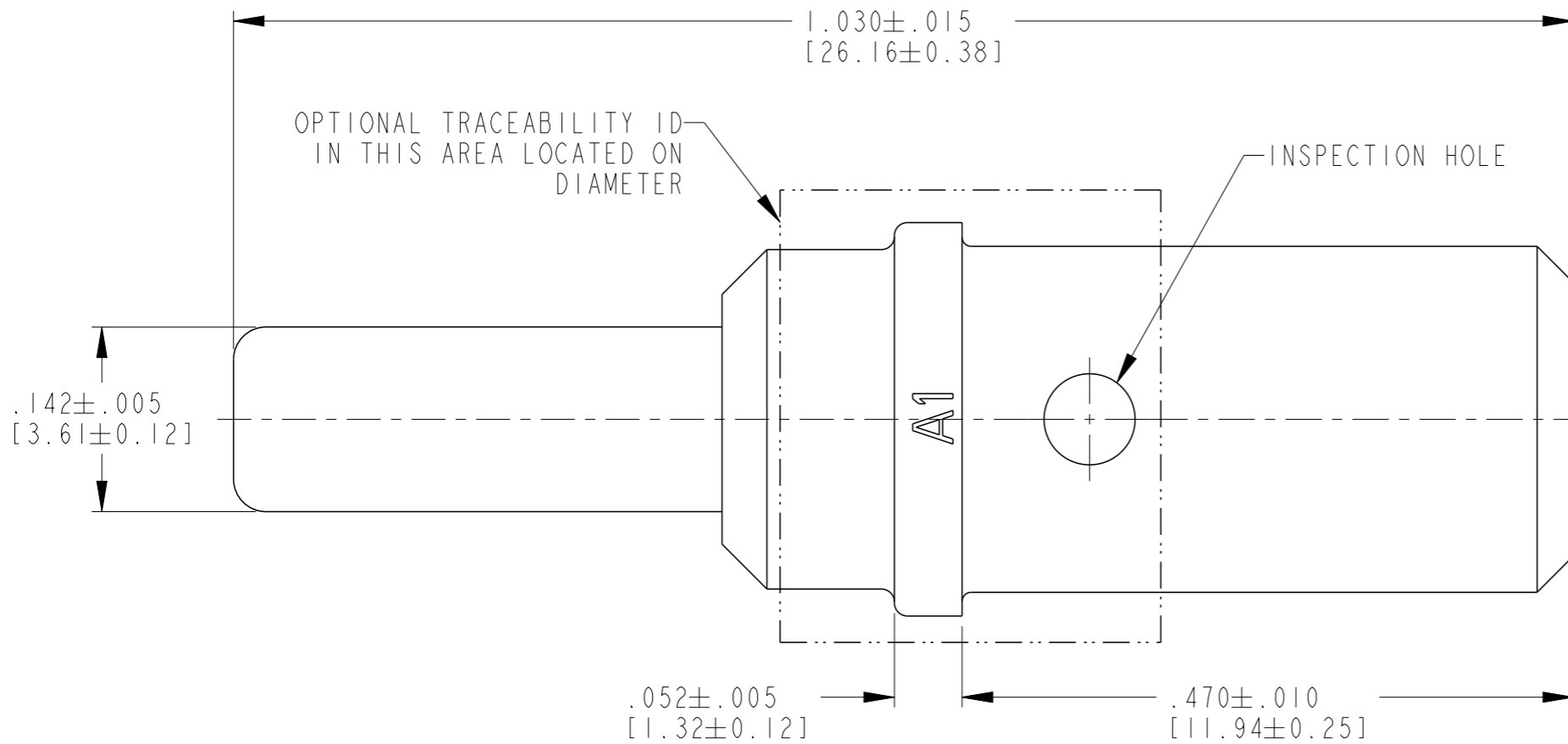



REVISIONS

P	LTR	DESCRIPTION	DATE	DWN	APVD
	A	REVISED PER PCN E-18-012207	31JUL2018	JA	DM
	A1	REVISED PER PCN E-20-012444	03SEP2020	CL	IG



- NOTES:
- (A1) 2. SEE APPLICATION SPECIFICATION 114-151004 FOR CRIMP TOOLS AND WIRE RANGE
  - (A1) 1. DELETED

TE INTERNAL PN	DEUTSCH PN	PLATING
0460-204-08141	0460-204-08141	NICKEL

THIS DRAWING IS A CONTROLLED DOCUMENT.		DWN D. MEYER 29NOV2000	 TE Connectivity											
DIMENSIONS: INCHES [mm]		CHK S. BEARD 06DEC2000												
TOLERANCES UNLESS OTHERWISE SPECIFIED:		APVD R. REED 08DEC2000												
<table border="1"> <tr><td>0 PLC</td><td>±</td></tr> <tr><td>1 PLC</td><td>±</td></tr> <tr><td>2 PLC</td><td>±</td></tr> <tr><td>3 PLC</td><td>±</td></tr> <tr><td>4 PLC</td><td>±</td></tr> <tr><td>ANGLES</td><td>±</td></tr> </table>		0 PLC			±	1 PLC	±	2 PLC	±	3 PLC	±	4 PLC	±	ANGLES
0 PLC	±													
1 PLC	±													
2 PLC	±													
3 PLC	±													
4 PLC	±													
ANGLES	±													
MATERIAL COPPER ALLOY	FINISH SEE TABLE	APPLICATION SPEC 114-151004	NAME CONTACT PIN SIZE 8											
		WEIGHT 4.5g	SIZE A3	CAGE CODE 4AFU8	DRAWING NO 0460-204-08XX	RESTRICTED TO -								
CUSTOMER DRAWING			SCALE 8:1	SHEET 1 OF 1	REV A1									

单击下面可查看定价，库存，交付和生命周期等信息

[>>TE Connectivity\(泰科\)](#)