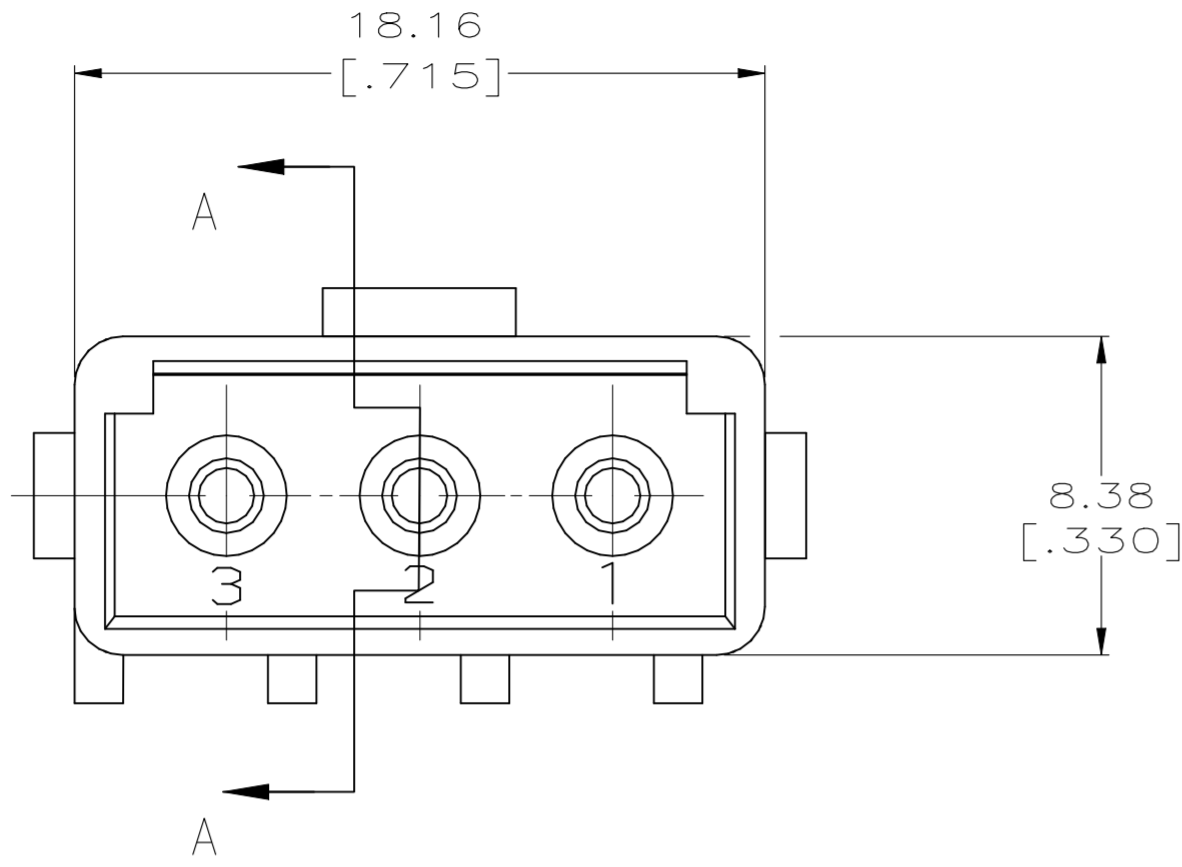
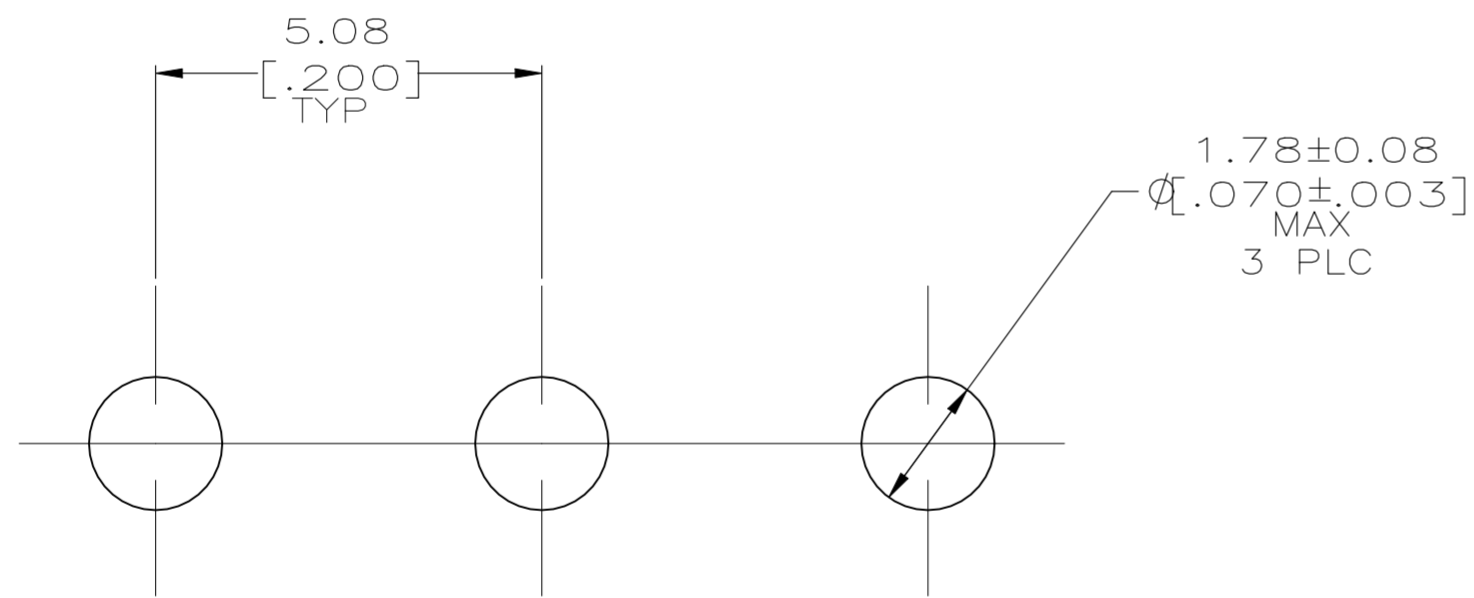
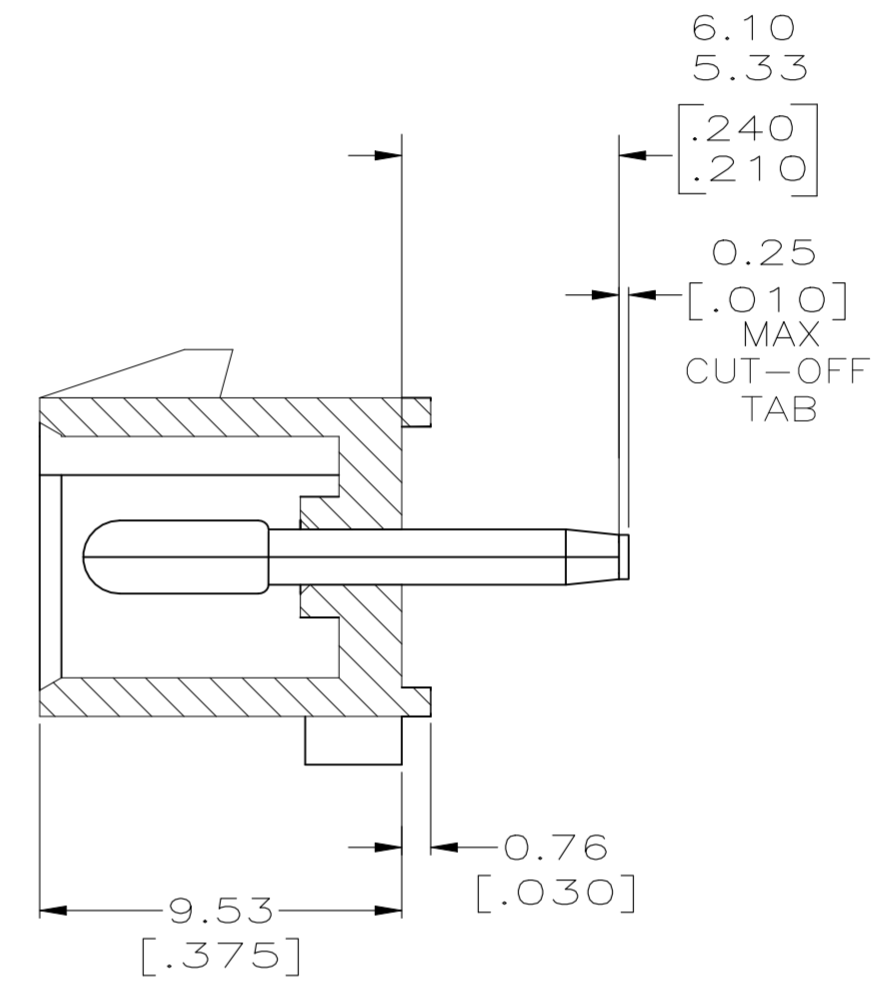


THIS DRAWING IS UNPUBLISHED. RELEASED FOR PUBLICATION .19
 (C) COPYRIGHT 19 BY AMP INCORPORATED. ALL RIGHTS RESERVED.

LOC	DIST	REVISIONS			
P	LTR	DESCRIPTION	DATE	DWN	APVD
CM	53				
	N	REACTIVATED -1 PER PR CM 94-73 REV & REDWN PER EC 0730-0121-94	7-25-94	KS	RS
	N1	REVISED PER ECR-21-117185	22OCT2021	PJ	VS



- PARTS MUST COMPLY WITH AMP SOLDERABILITY SPECIFICATION 109-11-3.
- DIMENSIONS IN BRACKETS ARE IN INCHES.
- DIMENSION SHOWN REPRESENT PRODUCT IN DRY CONDITION. ADDITIONAL 2% GROWTH DUE TO END USE LOCATION MOISTURE ABSORPTION MAY OCCUR AND SHOULD BE ACCOUNTED FOR.



RECOMMENDED P.C. BOARD LAYOUT
 FOR 3.18 [.125] THICK P.C. BOARD
 SCALE 10:1

COPPER ALLOY, PRE-TIN	NYLON 6/6, NATURAL	350542-1
PIN CONTACT MATERIAL & FINISH	HOUSING MATERIAL & COLOR	PART NUMBER

<small>THIS DRAWING IS A CONTROLLED DOCUMENT FOR AMP INCORPORATED. IT IS SUBJECT TO CHANGE AND THE CONTROLLING ENGINEERING ORGANIZATION SHOULD BE CONTACTED FOR THE LATEST REVISION.</small>		DWN K. SALMON 7-25-94	AMP Incorporated Harrisburg, PA 17105-3608
DIMENSIONS: mm [INCHES]		CHK R. SWING 7-25-94	
TOLERANCES UNLESS OTHERWISE SPECIFIED: 0 PLC ± 1 PLC ± 2 PLC ±0.13[.005] 3 PLC ± 4 PLC ± ANGLES ±0° 30' FINISH		APVD C. MARTIN 7-28-94	
MATERIAL SEE TABLE		PRODUCT SPEC APPLICATION SPEC WEIGHT -	
SEE TABLE		NAME C. MARTIN	HEADER ASSEMBLY, 3 CIRCUIT, COMMERCIAL MATE-N-LOK
SEE TABLE		SIZE A2	CAGE CODE 00779
SEE TABLE		DRAWING NO C=350542	SCALE 5:1
SEE TABLE		CUSTOMER DRAWING	SHEET 1 OF 1 REV N1

METRIC

单击下面可查看定价，库存，交付和生命周期等信息

[>>TE Connectivity\(泰科\)](#)