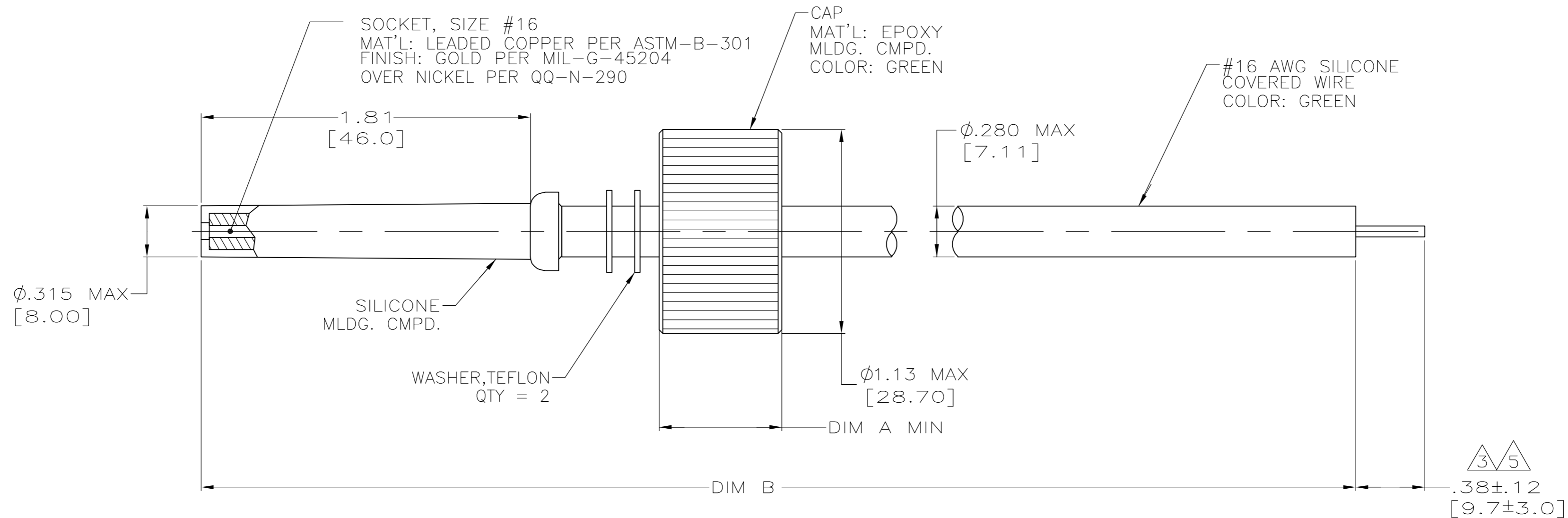


THIS DRAWING IS UNPUBLISHED. RELEASED FOR PUBLICATION
 © COPYRIGHT BY TYCO ELECTRONICS CORPORATION. ALL RIGHTS RESERVED.

LOC	DIST	REVISIONS					
DF	S0	P	LTR	DESCRIPTION	DATE	DWN	APVD
		C		REVISED PER ECO 05-015021	30JAN06	BL	CT



1. MARKED PER MIL-STD-130.
2. LEADS WILL MATE WITH AMP LGH-3. RECEPTACLE WITH 1.81 [46.0] BARREL DEPTH.
- 3 PIGTAIL IS SOLDER DIPPED.
4. OPERATING VOLTAGE: 40 KVDC AT 0 TO 70,000 FEET, -55°C TO 125°C.
- 5 INSULATION CUT, BUT NOT REMOVED.

5	60.00±1.00 [1524.0±25.4]	67 [17.0]	5-868355-2
3	60.00±1.00 [1524.0±25.4]	.67 [17.0]	868355-2
3	18.00±.12 [457.2±3.0]	.55 [13.8]	868355-1
REMARKS	DIM B	DIM A MIN	PART NUMBER

THIS DRAWING IS A CONTROLLED DOCUMENT.		DWN C.C.THOMAS 12-9-97	Tyco Electronics Corporation Harrisburg, PA 17105-3608	
DIMENSIONS: INCHES		CHK D.EABY 12-12-97	Tyco Electronics Corporation	
TOLERANCES UNLESS OTHERWISE SPECIFIED:		APVD -	LEAD ASSY, SGL END, LGH-3 WIRE COLOR: GREEN	
0 PLC ± -		PRODUCT SPEC -	SIZE A2	CAGE CODE 00779
1 PLC ± -		APPLICATION SPEC -	DRAWING NO C=868355	RESTRICTED TO -
2 PLC ± .02 [0.5]		WEIGHT -	SCALE 2:1	SHEET 1 of 1
3 PLC ± -		CUSTOMER DRAWING	REV C	
4 PLC ± -				
ANGLES ± -				
FINISH SEE CALLOUTS				

868355

单击下面可查看定价，库存，交付和生命周期等信息

[>>TE Connectivity\(泰科\)](#)