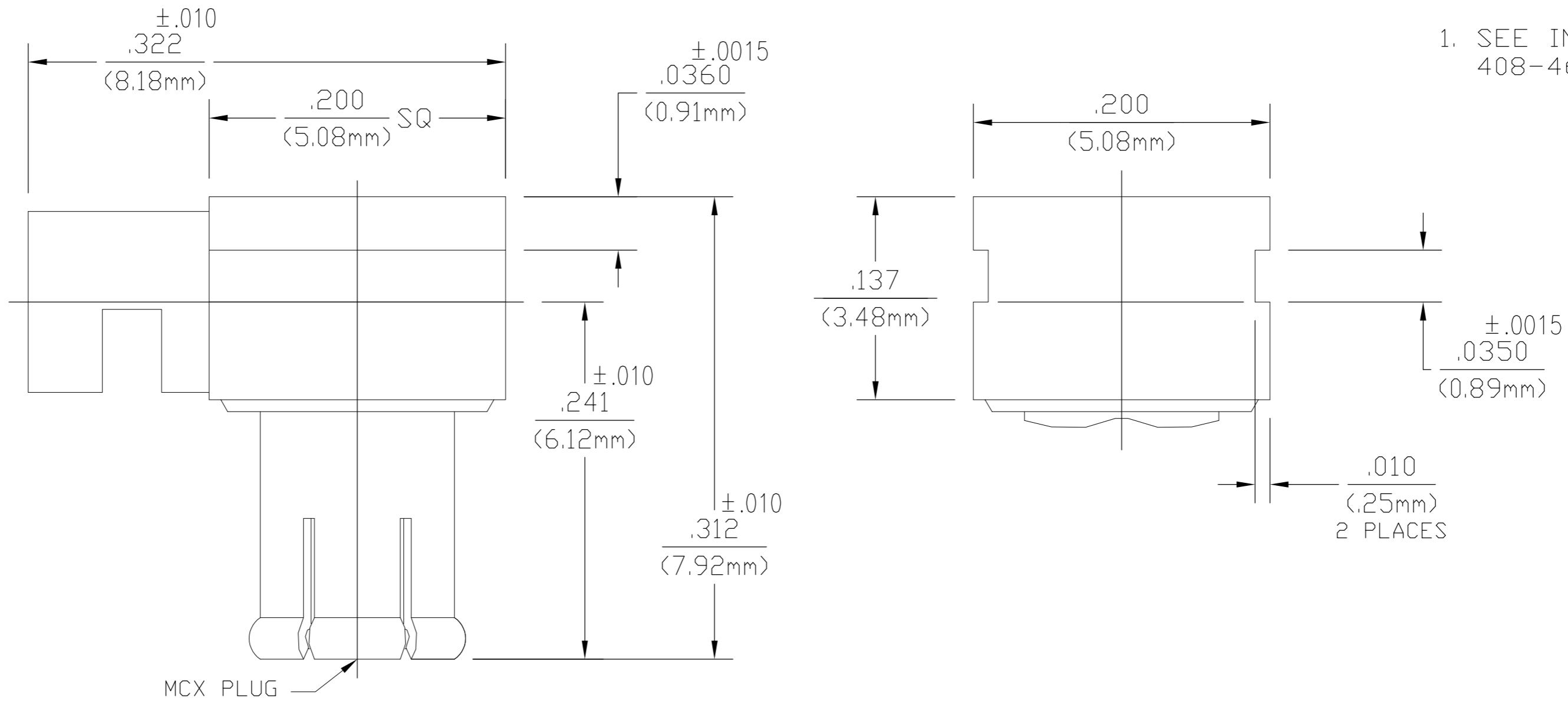


THIS DRAWING IS UNPUBLISHED. RELEASED FOR PUBLICATION
 © COPYRIGHT BY TYCO ELECTRONICS CORPORATION. ALL RIGHTS RESERVED.

LOC	DIST	REVISIONS					
		P	LTR	DESCRIPTION	DATE	DWN	APVD
AJ	00	B		REV PER ECO 07-027463	17DEC07	DW	JL



ELECTRICAL	MECHANICAL	ENVIRONMENTAL
Nominal Impedance (Ohms) <u>50</u>	Force to Engage (MAX) <u>3.4lbs</u>	Temperature Rating <u>-65°C TO 165°C</u>
Frequency Range (GHz) <u>DC TO 6.0</u>	Force to Disengage (Lbs) <u>4.5 max 1.77 min</u>	Vibration <u>MIL-STD-202, Method 204, Condition B</u>
Voltage Rating (VRMS MAX) <u>335 @ Sea level</u>	Center Contact Captivation: <u>Designed to maintain DSX interface when mating</u>	Thermal shock <u>MIL-STD-202, Method 102, Condition C</u>
VSWR <u>1.25 MAX @ 4 GHz</u> <u>1.35 MAX @ 6 GHz</u>	Cable Retention Axial <u>24.5 lbs min</u>	Moisture Resistance <u>MIL-STD-202, Method 106, 96 hours</u>
Insertion Loss <u>.1dB x FGHz</u>		Corrosion <u>MIL-STD-202, Method 101, Condition A</u>
Corona, 70,000 Ft (VRMS MIN) <u>250</u>		
D.W.V. (VRMS MIN) <u>1000</u>		
Contact Resistance		
Center Contact (Milliohms MAX) <u>5.0</u>		
Outer Contact (Milliohms MAX) <u>1.0</u>		
Cable To Housing (Milliohms MAX) <u>1.0</u>		
RF High Potential (VRMS MIN @ 5 MHz) <u>670</u>		
I.R. (Megohms Min) <u>10,000</u>		

1060787-1
PART NUMBER
DESIGNED FOR USE WITH .085 SEMI-RIGID CABLE CABLE ENTRY DIAMETER MINIMUM
CONTACT .024 SLOT
HOUSING .089

COMPONENT	MATERIAL	FINISH
HOUSING CAP CENTER CONTACT	BRASS PER QQ-B-626 COMP. 360	GOLD PLATE PER MIL-G-45204
DIELECTRIC	TFE FLUOROCARBON PER ASTM-D-1457	N/A
CONTACT FINGER	BERYLLIUM COPPER PER ASTM B 196, ALLOY C 17300, CONDITION H	GOLD PLATE PER MIL-G-45204

THIS DRAWING IS A CONTROLLED DOCUMENT.		DWN 7/5/95 JOSEPH DINSMORE	Tyco Electronics Corporation Harrisburg, PA 17105-3608	
DIMENSIONS: INCHES		CHK -	NAME D.CAMELIO	
TOLERANCES UNLESS OTHERWISE SPECIFIED:		APVD 7/5/95	PRODUCT SPEC	
0 PLC ± -	1 PLC ± -	APPLICATION SPEC		
2 PLC ± -	3 PLC ± .005 (0.12)	SIZE CAGE CODE DRAWING NO RESTRICTED TO		
4 PLC ± -	ANGLES ± 1°	A2 00779 C=1060787-1		
MATERIAL -	FINISH -	WEIGHT -		
CUSTOMER DRAWING		SCALE 1:1 SHEET 1 of 1 REV B		

单击下面可查看定价，库存，交付和生命周期等信息

[>>TE Connectivity\(泰科\)](#)