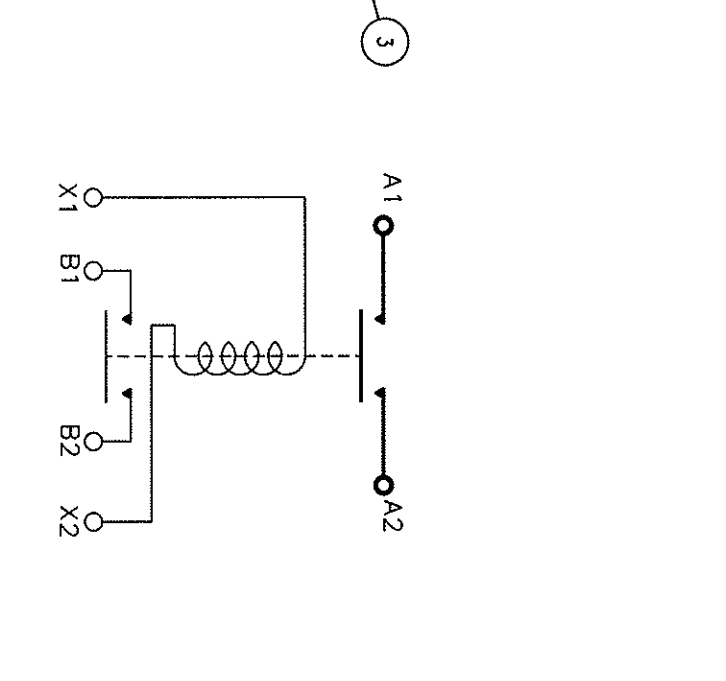
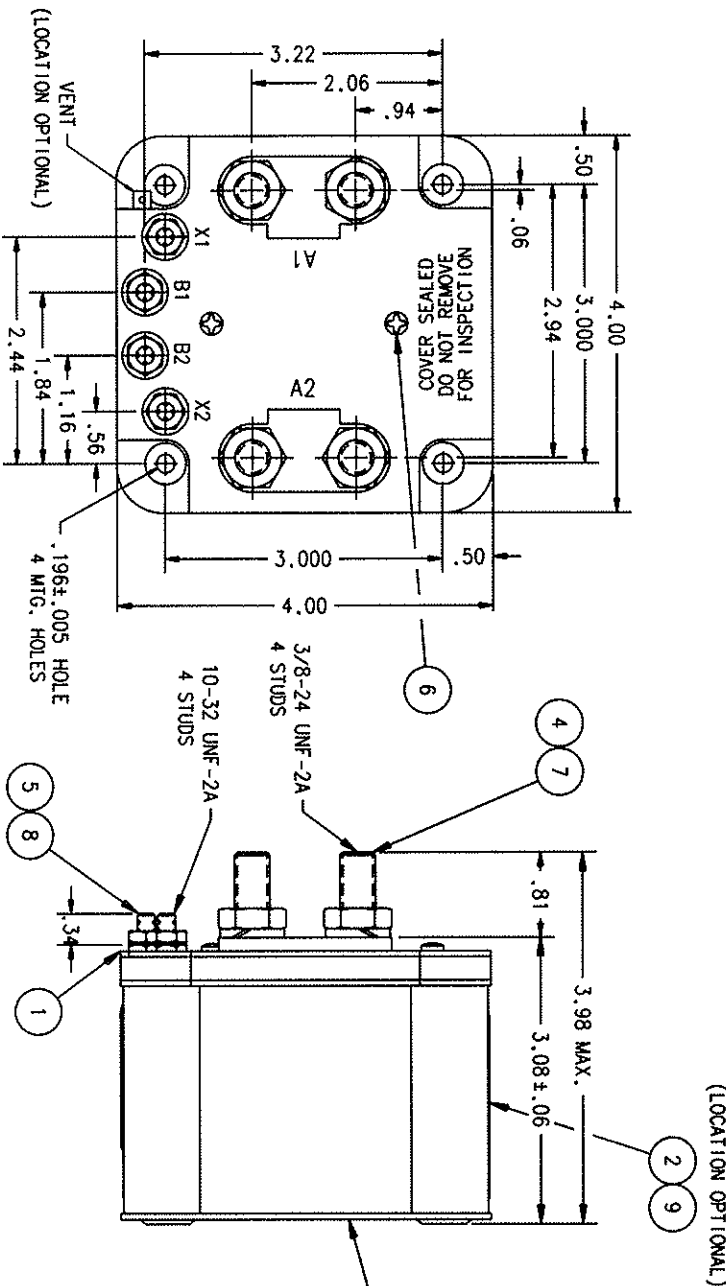


REV.	DESCRIPTION	DATE	APPROVED
M	40783 REDRAWN, FIND NO 9 ADDED	99/11/03	RS



NOTE:
TOLERANCE ON ALL TERMINALS TO BE ±.06

MAX OPERATING VOLTAGE	29 VOLTS
MAX PICKUP VOLTAGE	18 VOLTS
MAX DROPOUT VOLTAGE	1-5 VOLTS
RATED LOAD, RESISTIVE	600 AMPS
COIL CURRENT	0.6 AMPS
MIN OPERATING PERIOD	3 HRS
MIN OPERATING CYCLES	50,000
MAX WEIGHT	3 LB 7 OZ
RATED DUTY	CONTINUOUS
NOMINAL COIL VOLTAGE	24-28 VOLTS
AUX CONTACTS	S.P.S.T., N.O.
AUX CONTACT RATING	5 AMP 28 VOLTS

QTY	PART OR IDENTIFYING NO	NOMENCLATURE OR DESCRIPTION	FSM NO	DRAWING OR SPECIFICATION	MATERIAL OR NOTE
1	09593-005	PLATE - BASE COVER			
1	16043-001	CONTACTOR ASSEMBLY-PRIMARY			BRASS
3	16268-010	CONTACTOR ASSEMBLY-PRIMARY			BRASS
4	50407-164	NUT 3/8-24 X 5/8 X 7/32 HEX			BRASS
4	50410-084	NUT NO. 10-32 X 3/8 X 1/8 HEX			BRASS
2	51200-020	SCREW NO. 4 X 1/4 PAN HD. SHT MET.			S. STEEL
6	51807-084	WASHER - LOCK 3/8 SPLIT			BRONZE
4	51810-054	WASHER - LOCK 3/8 SPLIT			BRONZE
1	39529-001	OVERLAY			

DR BY	RLS	99/11/23
CHK BY	RS	9/12/08
ENGR	RS	9/12/08
MFG	RS	9/12/08
RELEASE		
CONTR NO.		
GOVT APPRVL		

UNLESS OTHERWISE SPECIFIED
DIMENSIONS ARE IN INCHES
TOLERANCES ON
±.06 ±.010 ±.1*

HARTMAN ELECTRICAL MANUFACTURING
MANSFIELD, OHIO

CONTACTOR - AIRCRAFT
600 AMP, CONTINUOUS DUTY

SIZE CODE IDENT DWG NO.
C 74063 A-712T

SCALE 1:2 SHEET

单击下面可查看定价，库存，交付和生命周期等信息

[>>TE Connectivity\(泰科\)](#)