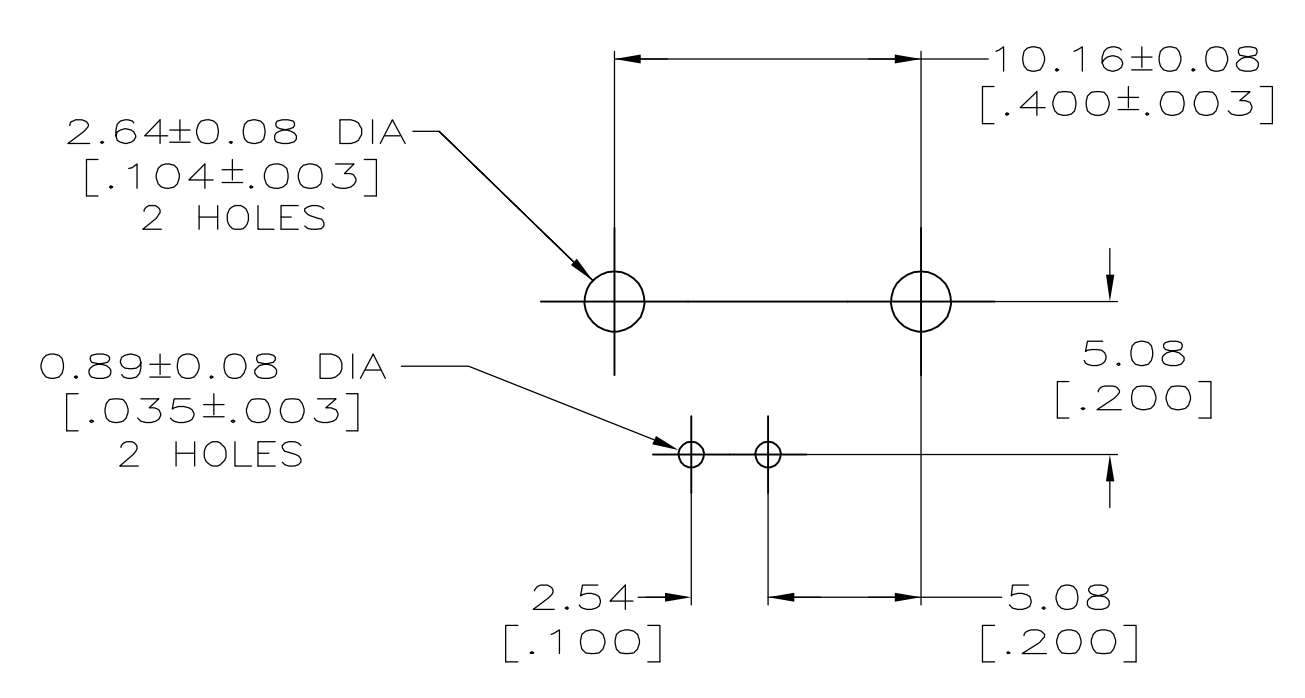
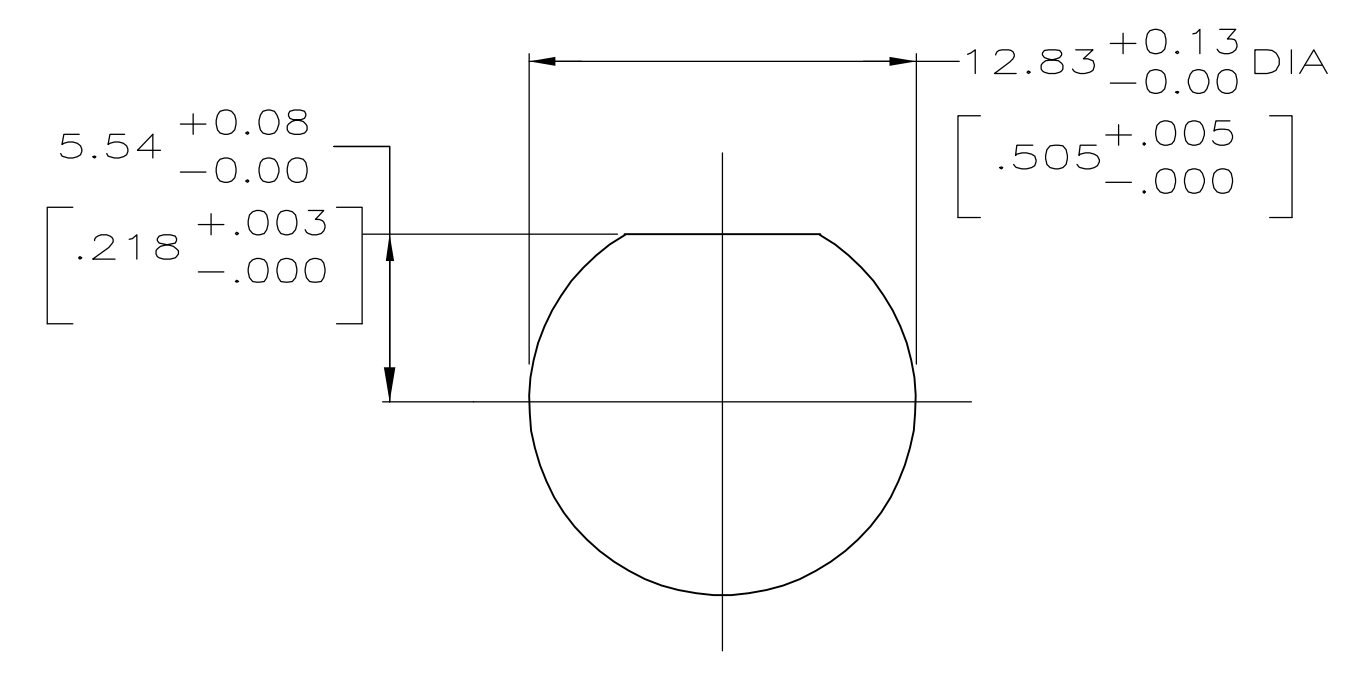
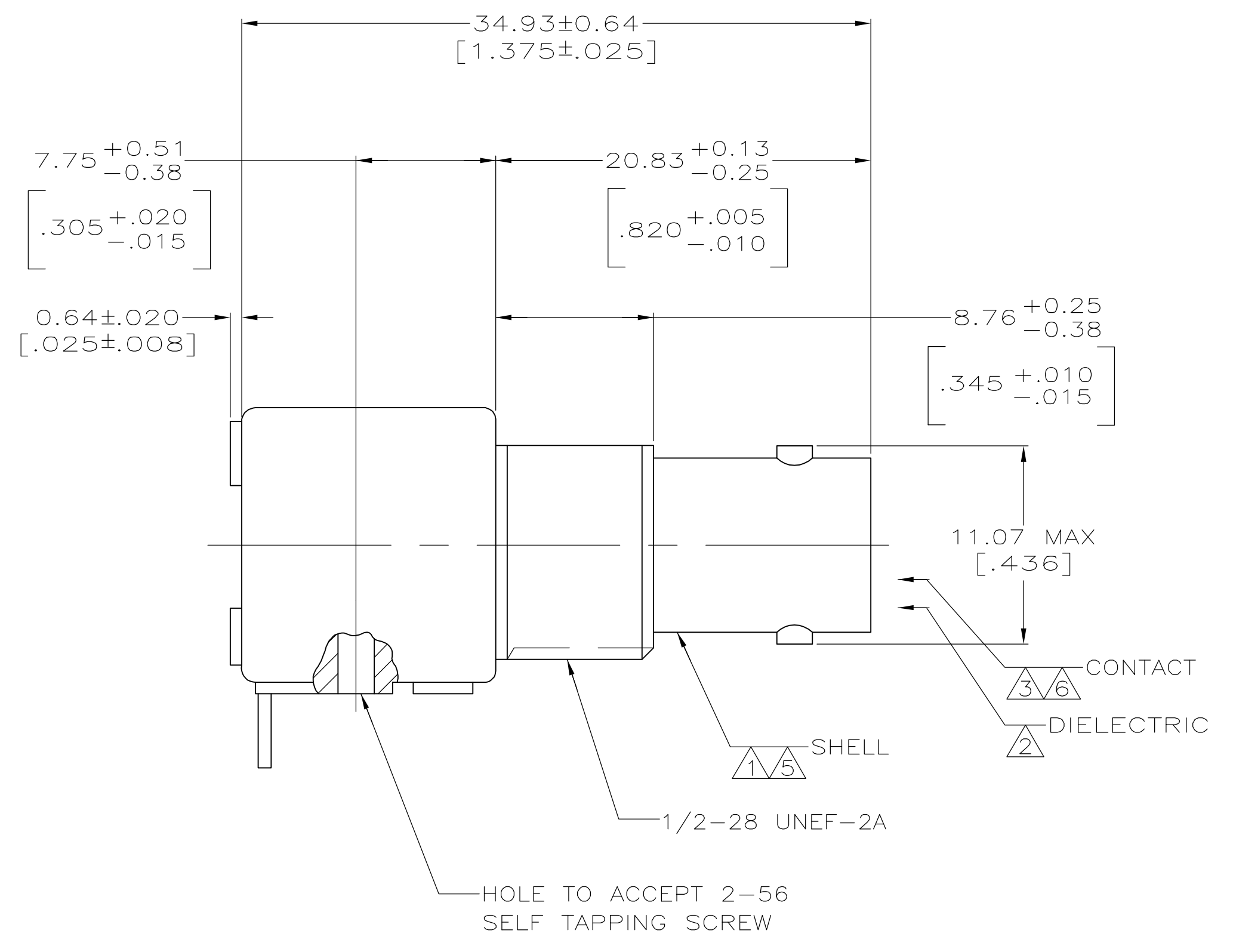
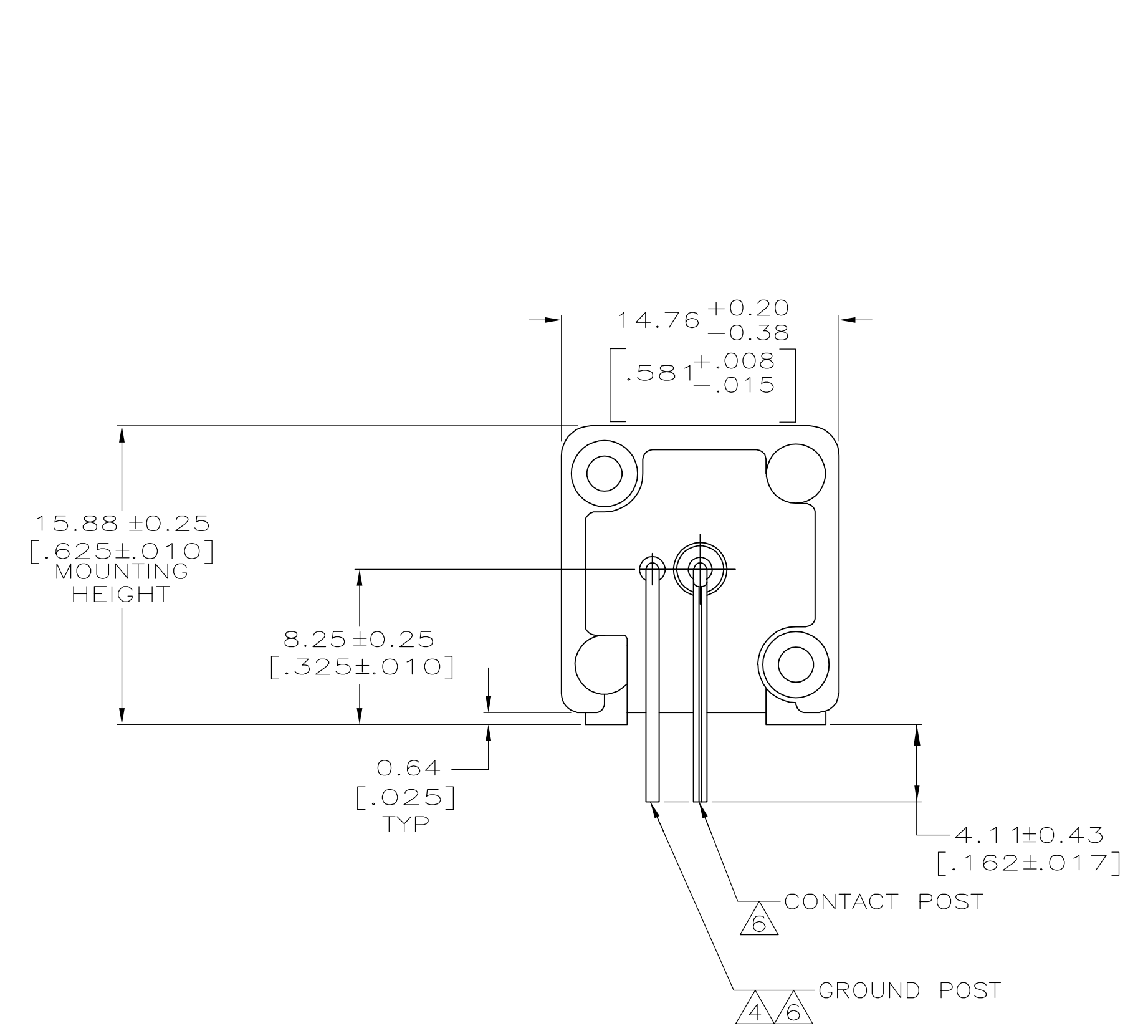


LOC		DIST		REVISIONS			
P	LTR	DESCRIPTION	DATE	DWN	APPD		
A		REVISED PER EC OS14-0150-05	30AUG05	BM	JL		

- ① ZINC PER QQ-Z-363.
- ② POLYMETHYLPENTENE PER ASTM-D-1238.
- ③ PHOSPHOR BRONZE PER QQ-B-750.
- ④ BRASS PER ASTM-B-453.
- ⑤ NICKEL PLATE PER QQ-N-290, 3.81 μm [.000150] MINIMUM THICK.
- ⑥ TIN PLATE PER ASTM-B-545, 3.81 μm [.000150] MINIMUM THICK.
- 7. SEE INSTRUCTION SHEET 408-2769.



5227433-1
 PART NUMBER

THIS DRAWING IS A CONTROLLED DOCUMENT.		DWN J. ALCORTA - 26APR2005	Tyco Electronics Corporation Harrisburg, Pa 17105-3608	
DIMENSIONS: mm [INCHES]		CHK J. HAVENER - 26APR2005	APPRO J. LIPPERT - 26APR2005	
TOLERANCES UNLESS OTHERWISE SPECIFIED:		NAME JACK, RIGHT ANGLE, PCB 50 OHM, SERIES BNC		
0 PLC ± -		PRODUCT SPEC 108-12078		
1 PLC ± -		APPLICATION SPEC		
2 PLC ± 0.05 [.002]		SIZE A1		
3 PLC ± -		CAGE CODE 00779		
4 PLC ± -		DRAWING NO 5227433		
ANGLES ± -		RESTRICTED TO		
FINISH SEE NOTES 5-7		WEIGHT -		
MATERIAL SEE NOTES 1-4		CUSTOMER DRAWING		
		SCALE 4:1 SHEET 1 OF 1 REV A		

单击下面可查看定价，库存，交付和生命周期等信息

[>>TE Connectivity\(泰科\)](#)