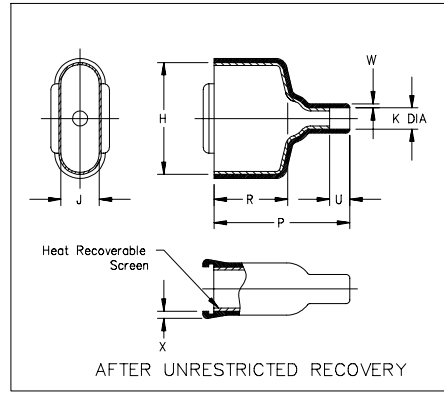
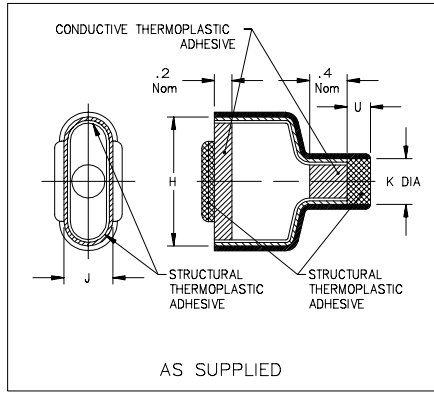


Thermofit Molded Parts Specification Control Drawing Limited Distribution

Part Number : 214A0XX-3S/200
Description : Boot, Rectangular,
D-Subminiature, Straight,
with Heat Recoverable Screen

NOTES

- All dimensions are in $\frac{\text{Inches}}{\text{(Millimeters)}}$
- Dimensions appearing in table are as follows:
a - as supplied
b - after unrestricted recovery
- Coating is standard. As supplied dimensions appearing in table are for uncoated parts. When coating is added entry diameters will be reduced by .06 max.
a - Conductive thermoplastic adhesive
b - Structural thermoplastic adhesive



Part Number	H		J		K		P Ref b	R Ref b	U		W ±20% b	X ±20% b
	Min a	±5% b	Min a	±5% b	Min a	Max b			Min a	±20% b		
214A011-3S/200	.82 [20.8]	.80 [20.3]	.62 [15.7]	.42 [10.7]	.35 [9.0]	.16 [4.1]	1.30 [33.0]	.75 [19.0]	.08 [2.0]	.16 [4.0]	.04 [1.0]	.12 [3.0]
214A021-3S/200	1.14 [29.0]	1.11 [28.2]	.62 [15.7]	.42 [10.7]	.43 [11.0]	.21 [5.3]	1.54 [39.0]	.87 [22.0]	.15 [3.8]	.24 [6.0]	.04 [1.0]	.12 [3.0]
214A032-3S/200	1.69 [42.8]	1.66 [42.2]	.62 [15.7]	.42 [10.7]	.59 [15.0]	.32 [8.1]	1.77 [45.0]	.98 [25.0]	.20 [5.0]	.25 [6.3]	.04 [1.0]	.12 [3.0]
214A042-3S/200	2.34 [59.5]	2.31 [58.7]	.59 [15.0]	.42 [10.7]	.75 [19.0]	.34 [8.6]	2.09 [53.0]	1.10 [28.0]	.20 [5.0]	.35 [9.0]	.04 [1.0]	.12 [3.0]
214A052-3S/200	2.28 [58.0]	2.28 [57.9]	.69 [17.5]	.54 [13.7]	.83 [21.0]	.42 [10.7]	2.40 [61.0]	1.26 [32.0]	.26 [6.5]	.39 [10.0]	.04 [1.0]	.12 [3.0]

Raychem

RAYCHEM CORPORATION
300 CONSTITUTION DRIVE
MENLO PARK, CALIFORNIA 94025

Revision : D
Date : 12/1/94

Part Number : 214A0XX-3S/200
Description : Boot, Rectangular,
D-Subminiature, Straight,
with Heat Recoverable Screen

Thermofit Molded Parts Specification Control Drawing Limited Distribution

Part Number : 214A0XX-3S/200
Description : Boot, Rectangular,
D-Subminiature, Straight,
with Heat Recoverable Screen

Compatibility Chart

Material Dash No.	Material Description	RT Spec	Coating Slash No.	Coating S No.	Coating Description
-3S	Polyolefin/Copper Composite	RT-1370	/200	N/A	Adhesives

**If this document is printed it becomes uncontrolled.
Check for the latest revision.**

Ordering Information

214A0XX -3S /200

Base Part Number _____

Material Dash Number (see Compatibility Chart) _____

Adhesive Slash Number (see Compatibility Chart) _____

THIS DRAWING IS SUBJECT TO CHANGE WITHOUT NOTICE; CONSULT YOUR
NEAREST FIELD REPRESENTATIVE FOR CURRENT REVISION

Raychem

RAYCHEM CORPORATION
300 CONSTITUTION DRIVE
MENLO PARK, CALIFORNIA 94025

Revision : D
Date : 12/1/94

Part Number : 214A0XX-3S/200
Description : Boot, Rectangular,
D-Subminiature, Straight,
with Heat Recoverable Screen

单击下面可查看定价，库存，交付和生命周期等信息

[>>TE Connectivity\(泰科\)](#)