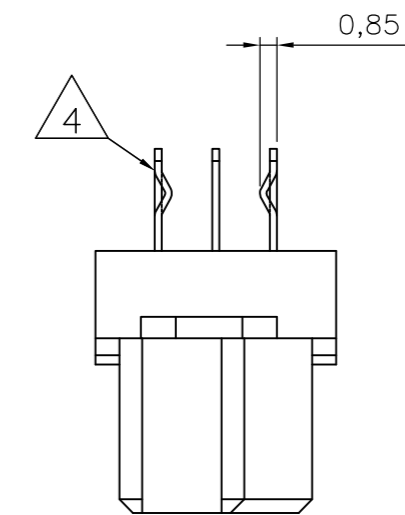
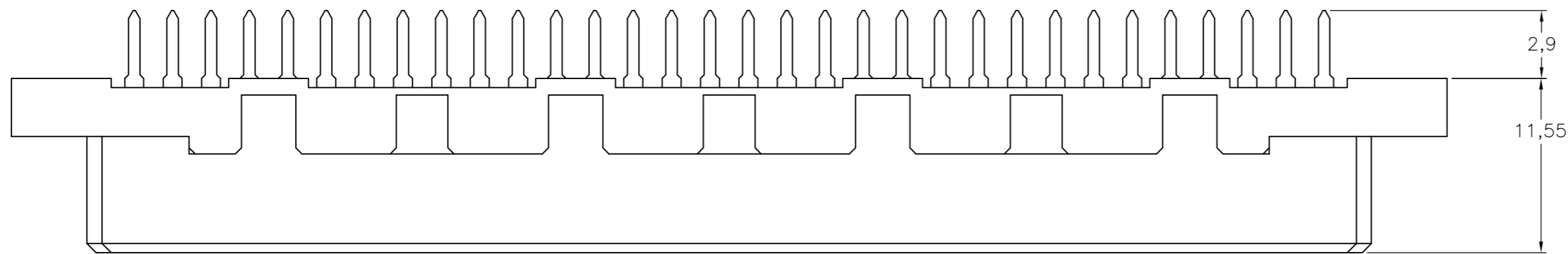
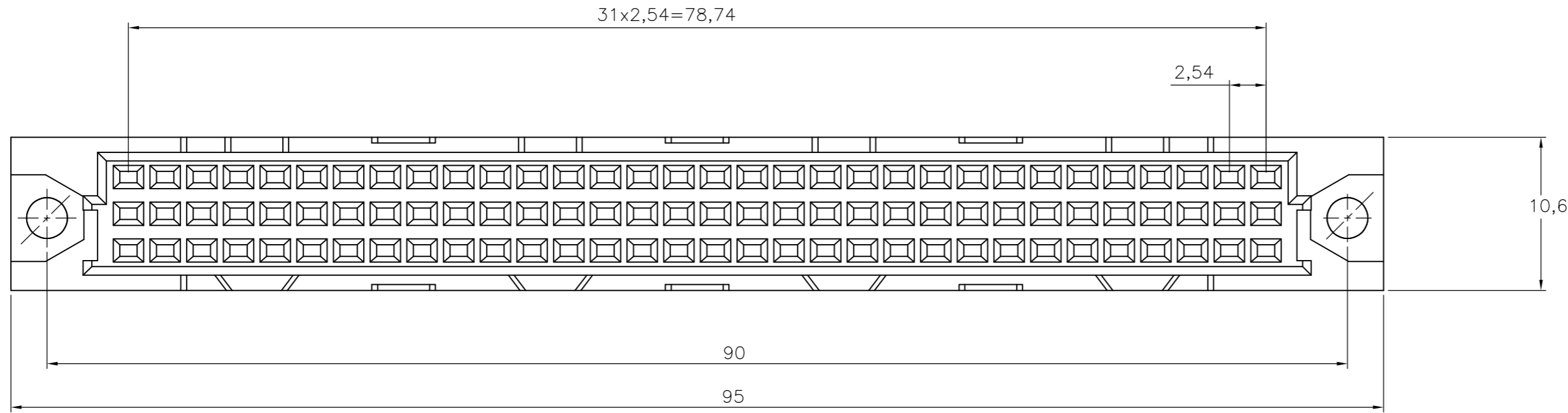


THIS DRAWING IS UNPUBLISHED. RELEASED FOR PUBLICATION
 © COPYRIGHT - By - ALL RIGHTS RESERVED.

LOC	DIST	REVISIONS			
P	LTR	DESCRIPTION	DATE	DWN	APVD
H	-	A	INITIAL RELEASE	15MAR11	RK MKO



NOTE:

- 1 HOUSING: GLASS FILLED THERMOPLASTIC
CONTACTS: COPPER ALLOY
- 2 PLATING:
CONTACT AREA: PERFORMANCE LEVEL 2 ACC. TO DIN 41612
SOLDERING AREA: TIN OVER NICKEL
- 3 CONTACT ARRANGEMENTS:
AN ASTERISK "X" DENOTES A SIGNAL CONTACT.
AN ASTERISK "⊗" DENOTES KINKED A SIGNAL CONTACT.
- 4 KINKED POSTS
- 5. SOLDER POSTS SUITABLE FOR 1,0 NOM. P.C.B. HOLES
- 6. CONNECTOR PRINTED WITH PARTNUMBER AND DATECODE

ROW	POS	CONTACTS																																		
		1	2	3	4	5	6	7	8	9	10	11	12	13	14	15	16	17	18	19	20	21	22	23	24	25	26	27	28	29	30	31	32			
a		⊗	X	X	X	X	X	X	X	X	X	X	X	X	X	X	X	X	X	X	X	X	X	X	X	X	X	X	X	X	X	X	X	X	⊗	
b		X	X	X	X	X	X	X	X	X	X	X	X	X	X	X	X	X	X	X	X	X	X	X	X	X	X	X	X	X	X	X	X	X	X	X
c		⊗	X	X	X	X	X	X	X	X	X	X	X	X	X	X	X	X	X	X	X	X	X	X	X	X	X	X	X	X	X	X	X	X	⊗	

THIS DRAWING IS A CONTROLLED DOCUMENT.		DWN	15MAR11	WITH	2	1	2173044-4
DIMENSIONS: mm		CHK	07APR11	4	FINISH	1	TE PARTNUMBER
TOLERANCES UNLESS OTHERWISE SPECIFIED:		APVD	07APR11				
MATERIAL		PRODUCT SPEC	STEFAN HABERSTROH	TE Connectivity			
FINISH		APPLICATION SPEC	-	96P.IEC-C FEM.CONN. ACC. DIN 41612 WITH SOLDER POSTS 1,6mm P.C.BOARD THICKNESS			
WEIGHT		WEIGHT	-	SIZE	A2	CAGE CODE	00779
CUSTOMER DRAWING		SCALE	NTS	DRAWING NO	C=2173044		RESTRICTED TO
		SHEET	1 of 1	REV	A		

2173044

A

单击下面可查看定价，库存，交付和生命周期等信息

[>>TE Connectivity\(泰科\)](#)