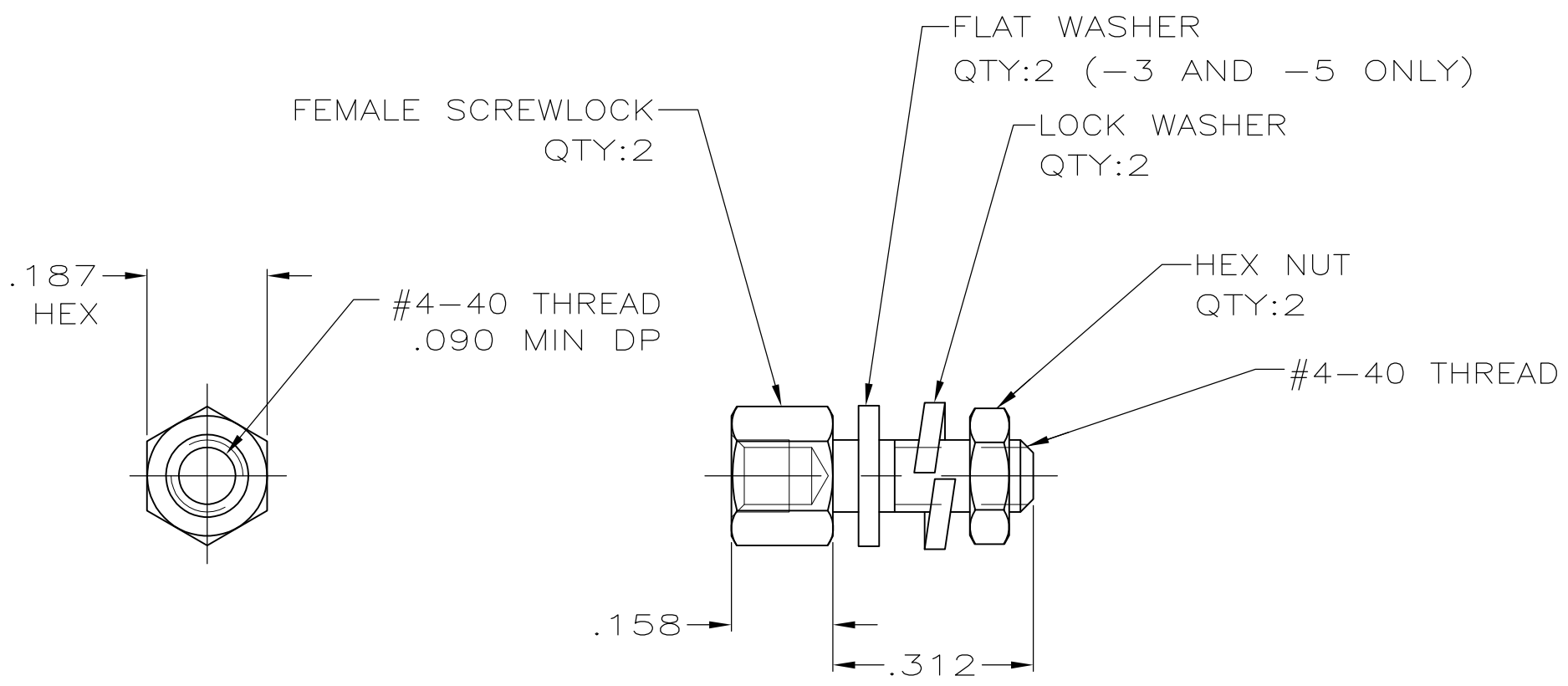


THIS DRAWING IS UNPUBLISHED. RELEASED FOR PUBLICATION
 © COPYRIGHT - By - ALL RIGHTS RESERVED.

LOC	DIST	REVISIONS					
GP	00	P	LTR	DESCRIPTION	DATE	DWN	APVD
		R		REVISED PER ECO-15-002171	04MAR2015	AP	PR



- PARTS PACKAGED UNASSEMBLED.
 - PARTS PACKAGED AS A UNIT KIT.
- $\triangle 3$ ZINC PLATING .000200-.000400 THICK, YELLOW CHROMATE COATING.
 $\triangle 4$ ZINC PLATING .000200-.000400 THICK, CLEAR CHROMATE COATING.

$\triangle 4$	W/ FLAT WASHER	5748271-5
	W/O FLAT WASHER	5748271-4
$\triangle 3$	W/ FLAT WASHER	5748271-3
	W/O FLAT WASHER	5748271-1
FINISH	REMARKS	PART NUMBER

THIS DRAWING IS A CONTROLLED DOCUMENT.		DWN	S.WAITMAN	12JUL05	STE TE Connectivity		
DIMENSIONS: INCHES		CHK	C.ROHDE	12JUL05			
TOLERANCES UNLESS OTHERWISE SPECIFIED:		APVD	M.WALMSLEY	12JUL05	NAME		
0 PLC ± - 1 PLC ± - 2 PLC ± - 3 PLC ± .005 4 PLC ± - ANGLES ± -		PRODUCT SPEC		FEMALE SCREWLOCK KIT, SHORT HEAD, .090 PANEL, AMPLIMITE			
MATERIAL: STEEL		FINISH: $\triangle 3$		APPLICATION SPEC		RESTRICTED TO	
		WEIGHT: -		SIZE	CAGE CODE	DRAWING NO	
		CUSTOMER DRAWING		A3	00779	C-5748271	
		SCALE: 4:1		SHEET: 1 OF 1		REV: R	

单击下面可查看定价，库存，交付和生命周期等信息

[>>TE Connectivity\(泰科\)](#)