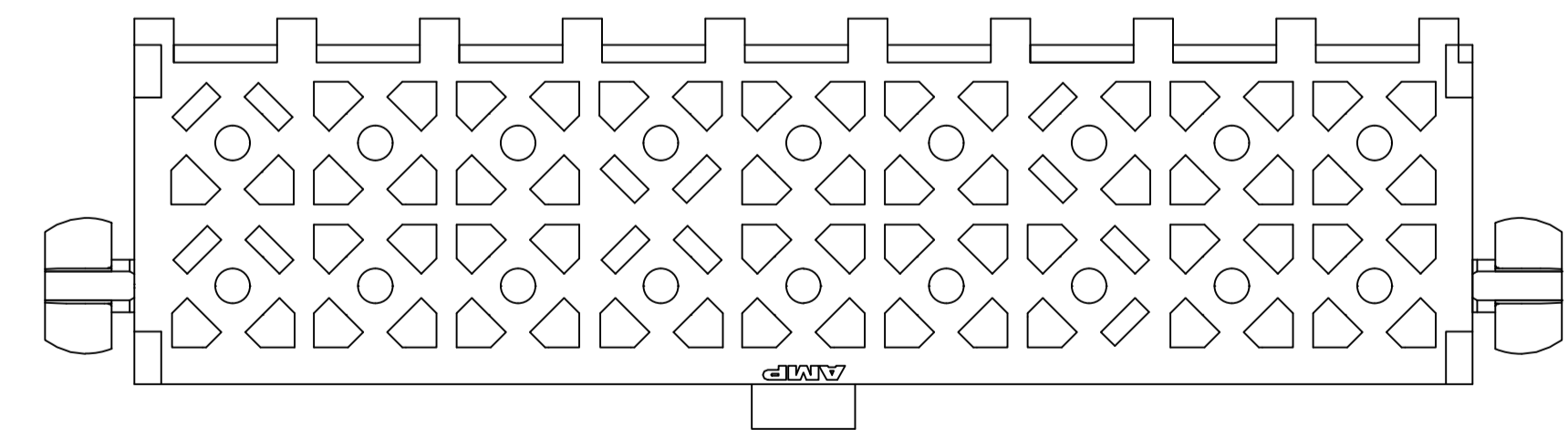
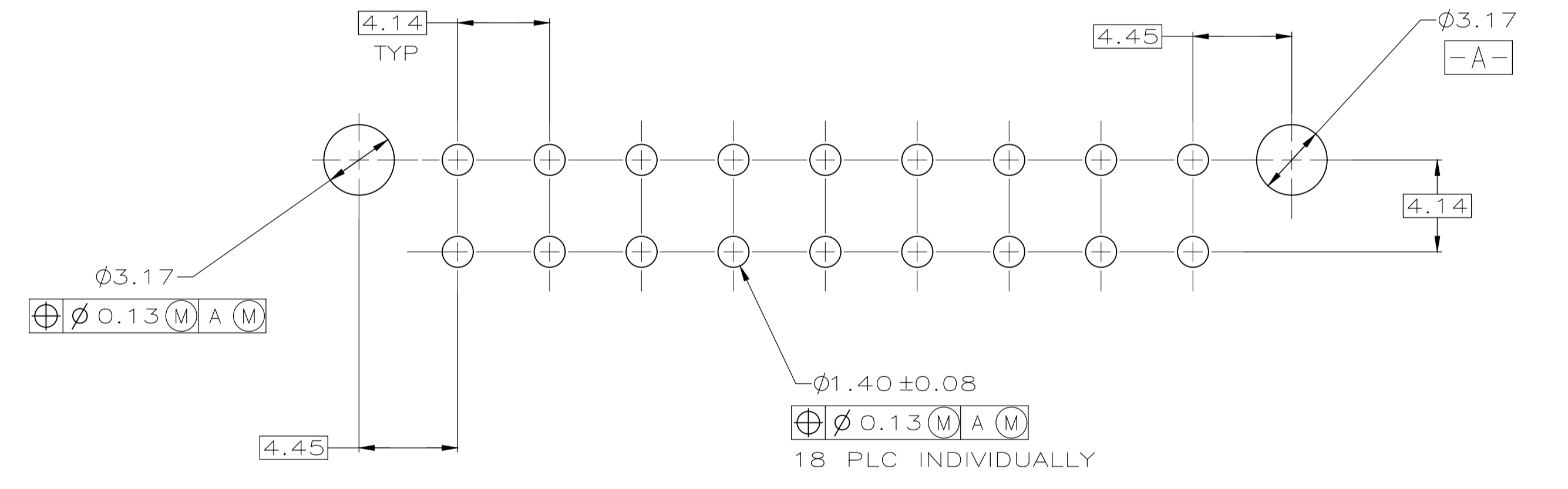
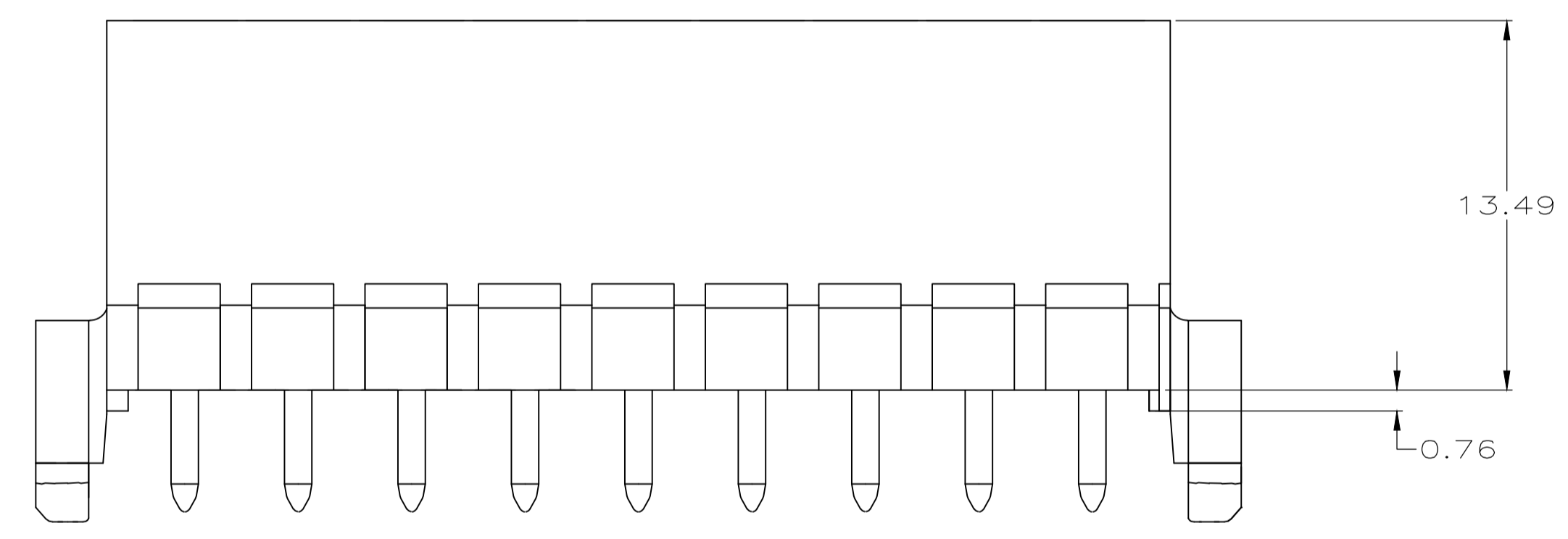
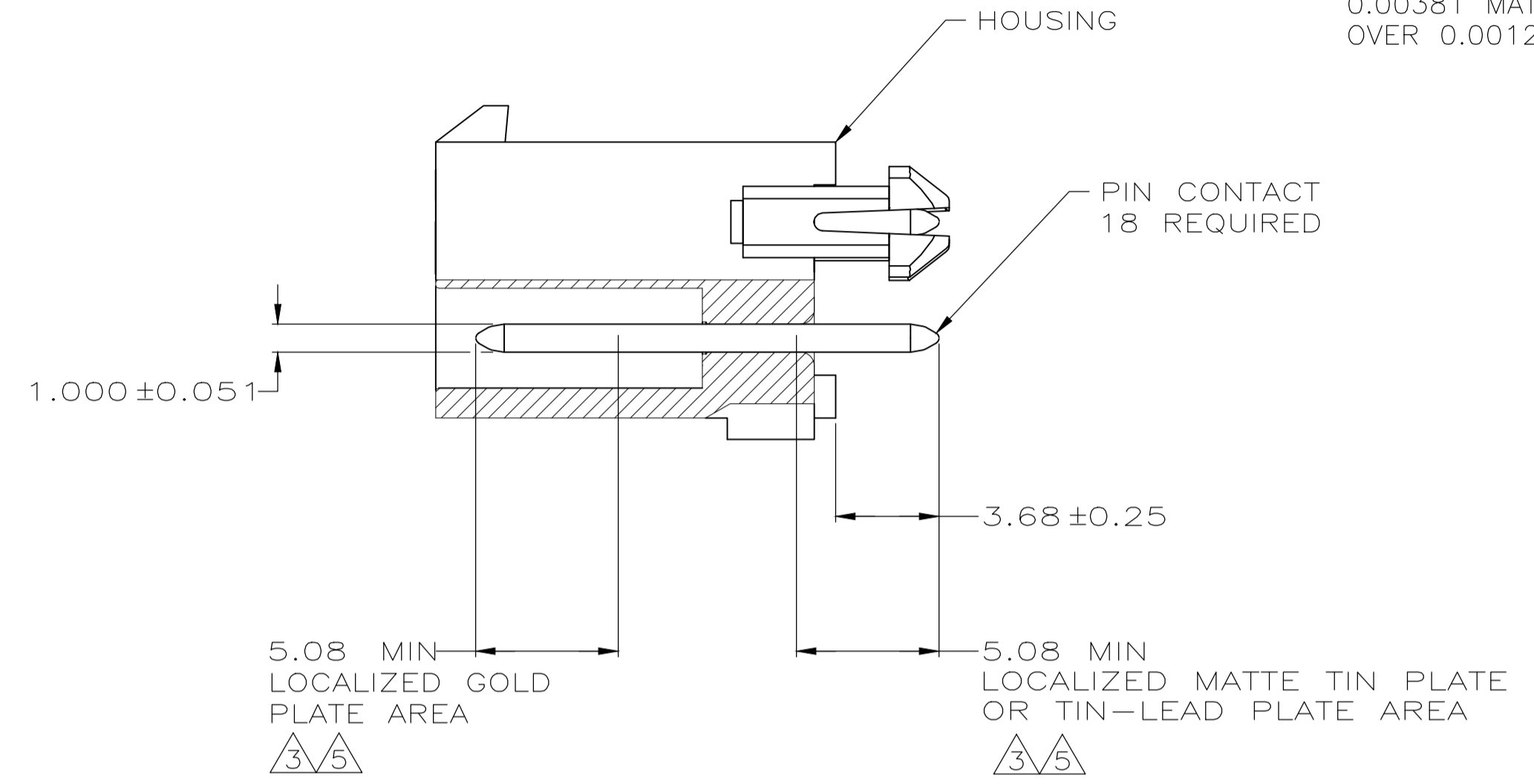
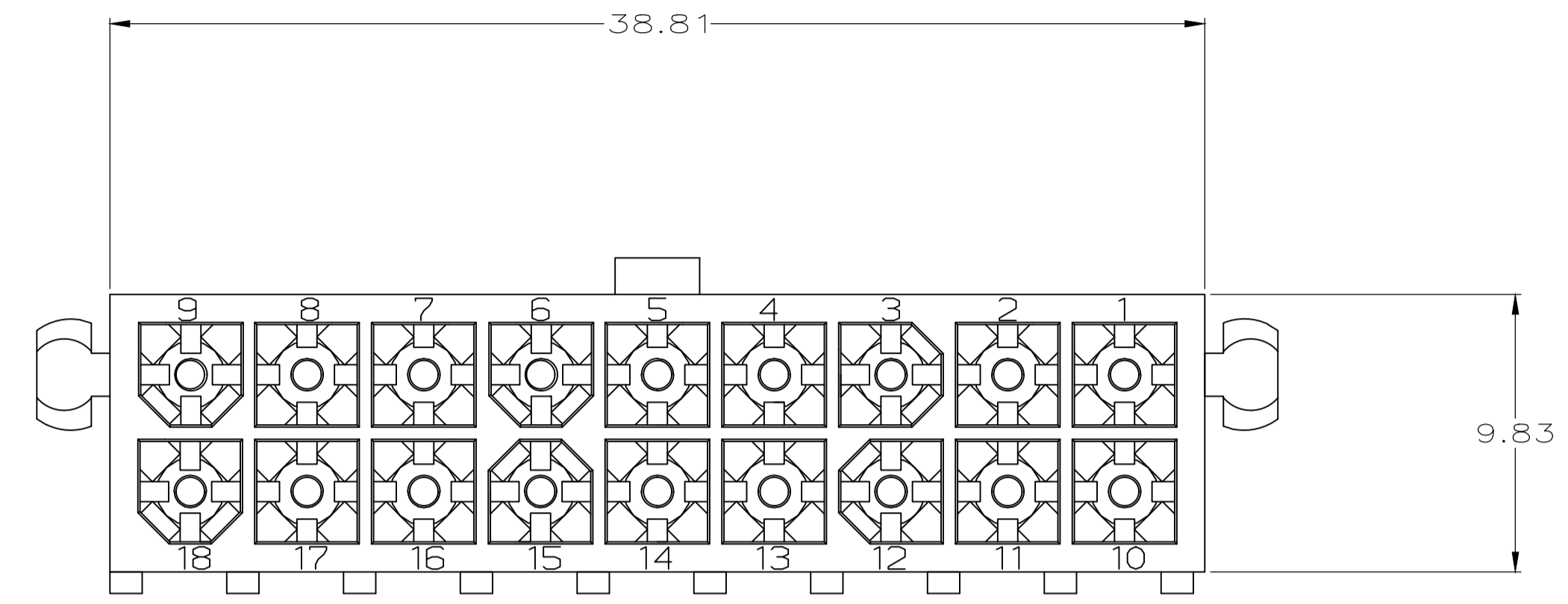


- PINS TO COMPLY WITH AMP SOLDERABILITY SPEC. 108-11-3.
- 0.00381 MIN MATTE TIN LEAD OVER 0.00127 MIN NICKEL.
- 0.00076 MIN GOLD PLATE IN THE LOCALIZED PLATE AREA, 0.00381 MATTE TIN LEAD IN THE LOCALIZED PLATE AREA, BOTH OVER 0.00127 MIN NICKEL.
- 0.00381 MIN MATTE TIN OVER 0.00127 MIN NICKEL.
- 0.00076 MIN GOLD PLATE IN THE LOCALIZED PLATE AREA, 0.00381 MATTE TIN IN THE LOCALIZED PLATE AREA, BOTH OVER 0.00127 MIN NICKEL.



	BRASS, GOLD	NYLON, 94V-0, WHITE	1-794069-1
	BRASS, TIN	NYLON, 94V-0, WHITE	1-794069-0
OBSOLETE	BRASS, GOLD	NYLON, 94V-0, WHITE	<del>794069-2</del>
	BRASS, TIN LEAD	NYLON, 94V-0, WHITE	<del>794069-1</del>
PIN CONTACT MATERIAL AND FINISH		HOUSING MATERIAL AND COLOR	PART NUMBER

THIS DRAWING IS A CONTROLLED DOCUMENT.

DIMENSIONS: mm	TOLERANCES UNLESS OTHERWISE SPECIFIED:	DIN K. WHITAKER 6-09-95	CHK R. SWING 6-09-95	APVD R. ORSTAD 6-13-95	NAME	
0. PLC ± -	1. PLC ± -	TE Connectivity HEADER ASSEMBLY, 18 CIRCUIT, DOUBLE ROW VERTICAL, MINI-UNIVERSAL MATE-N-LOK			SIZE	
2. PLC ± 0.13	3. PLC ± -				APPLICATION SPEC	RESTRICTED TO
4. PLC ± -	ANGLES ± -				WEIGHT	SCALE 5:1
MATERIAL SEE TABLE	FINISH SEE TABLE				CUSTOMER DRAWING	SHEET 1 OF 1

WEIGHT: --  
 A1 00779 ©=794069  
 REV E1

单击下面可查看定价，库存，交付和生命周期等信息

[>>TE Connectivity\(泰科\)](#)