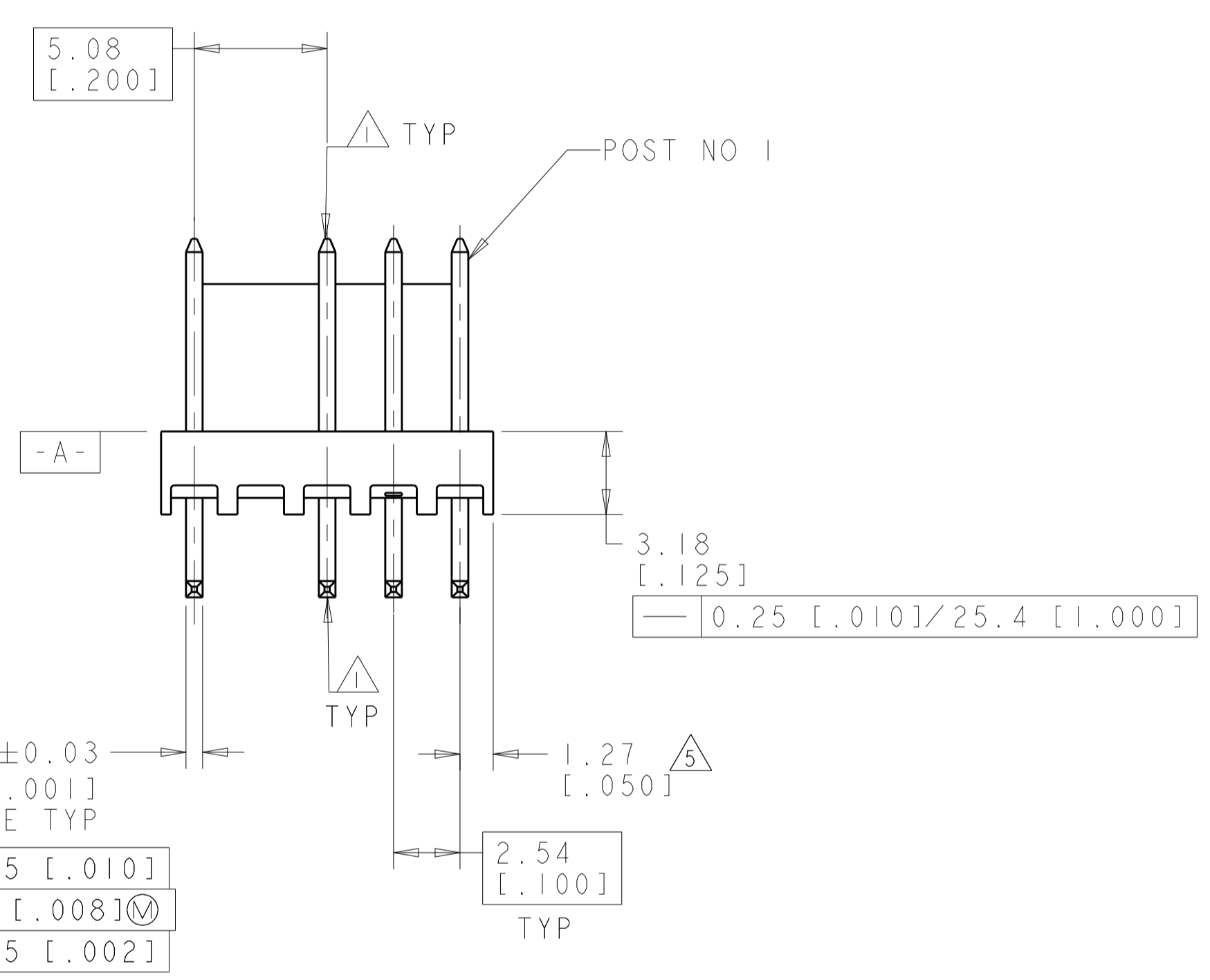
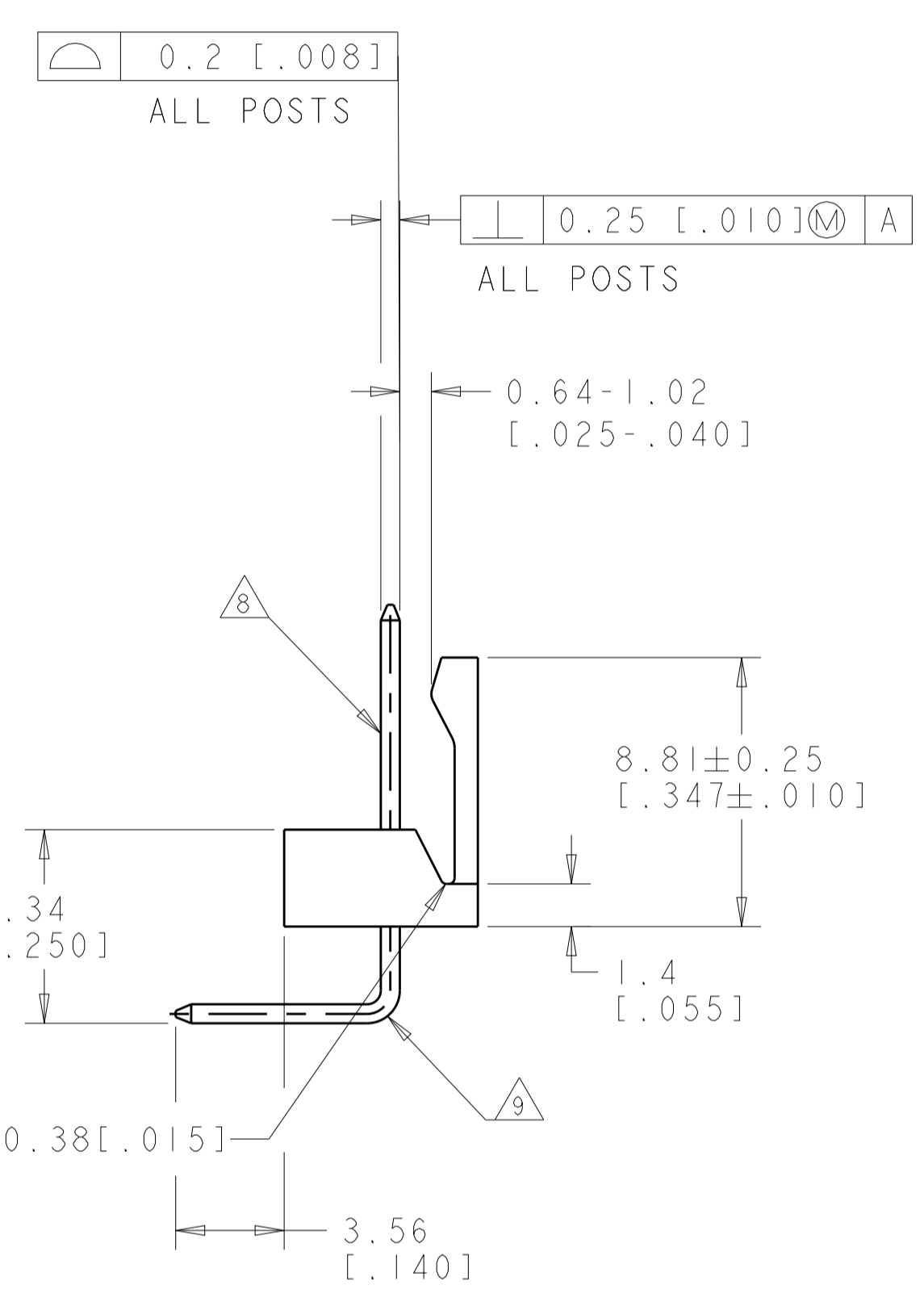
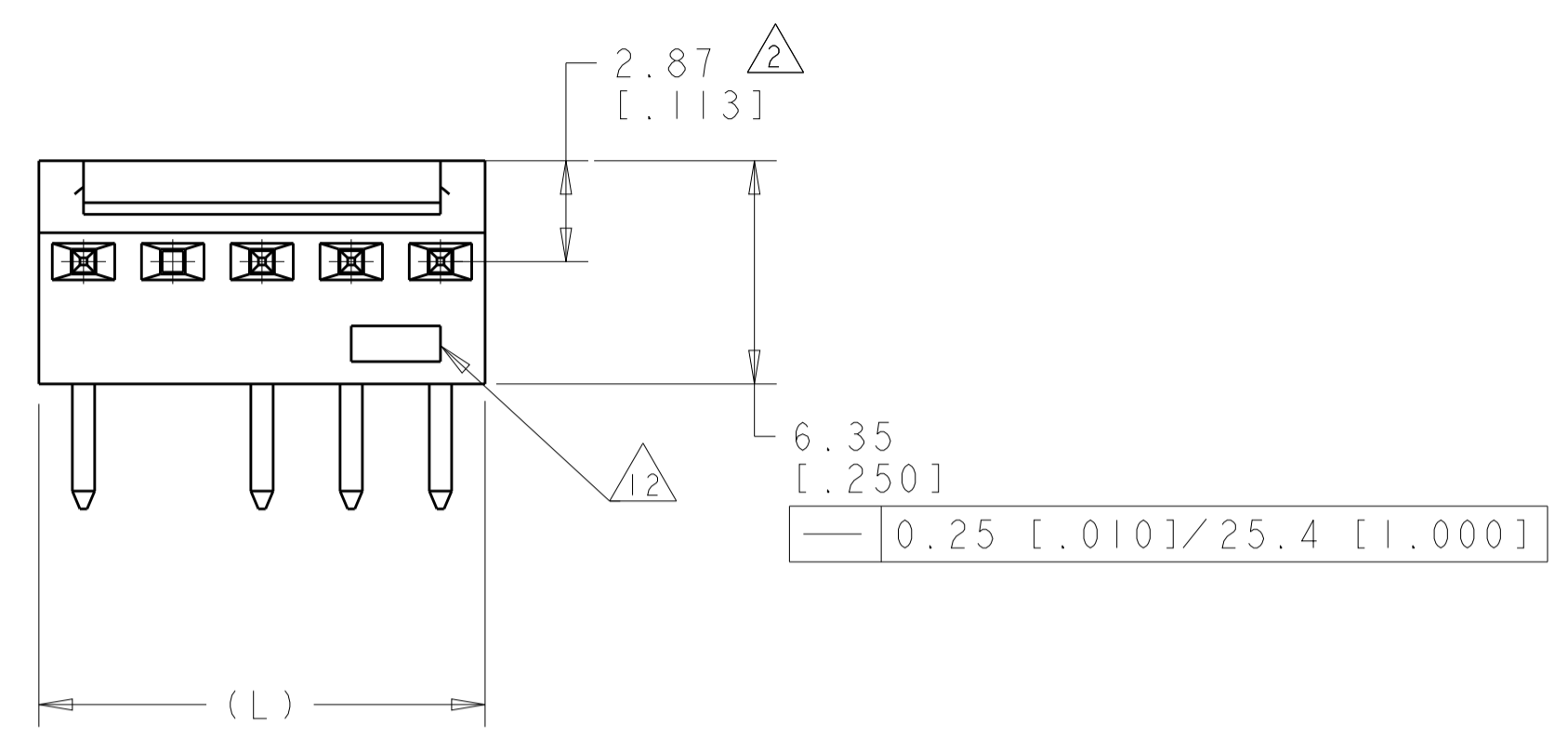
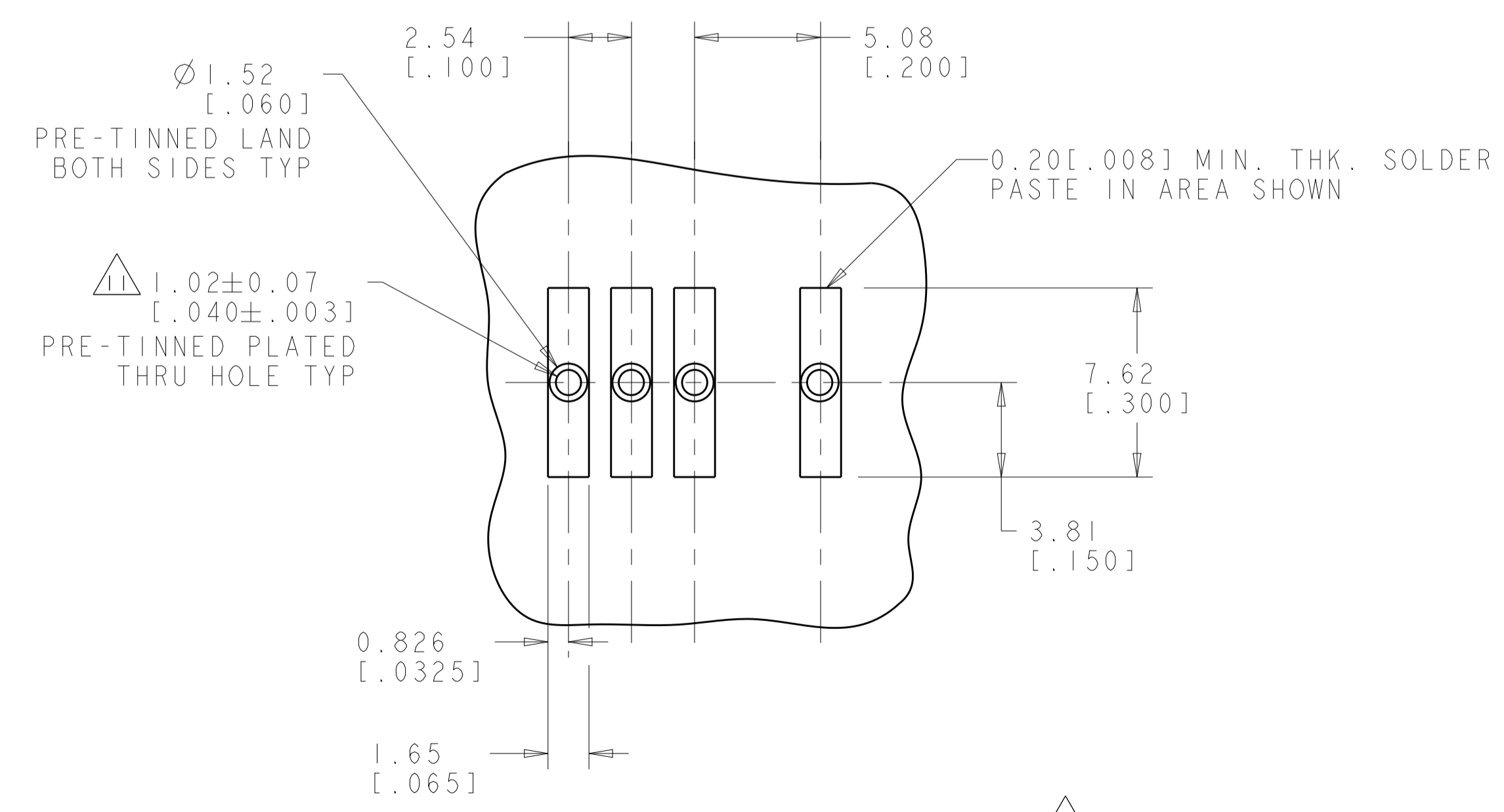


LOC	DIST	REVISIONS			
		REV	DATE	BY	APPV
CM	00	D1	REVISD PER ECR-18-004355	18JUN2018	BDA SG



0.25 [.010]
0.2 [.008]
0.05 [.002]



RECOMMENDED MOUNTING HOLE PATTERN FOR 1.57±0.20 [.062±.008] THICK P.C. BOARD

- 1. POST WITHSTAND 13 NEWTONS (3 LBS) MIN AXIAL FORCE IN DIRECTION SHOWN WITHOUT DISLODGING.
- 2. MEASURED AT [-A-].
- 3. PARTS COMPLY WITH SOLDERABILITY SPEC 109-11-2.
- 4. MATERIAL: HOUSING: NYLON, 4/6, HIGH TEMP, BLACK. POST: COPPER ALLOY (SEE NOTES 8 & 9 FOR PLATING.)
- 5. COORDINATE DIMENSION APPLIES FROM CENTER OF ACTUAL FEATURE.
- 6. POSTS TO BE MEASURED WHEN STRIP HELD FLAT.
- 7. DIMENSIONS IN BRACKETS ARE IN INCHES.
- 8. PLATING: GOLD PLATE AREA, 0.00038 [.000015] GOLD OR 0.00008 [.000003] MIN GOLD FLASH OVER 0.00030 [.000012] PALLADIUM NICKEL PER TE CONNECTIVITY'S DISCRETION, ALL SIDES, OVER NICKEL UNDERPLATE, 0.00127 [.000050] MIN., ALL SIDES AND ENTIRE LENGTH OF POST.
- 9. PLATING: MATTE TIN PLATE AREA, 0.00381-0.00889 [.000150-.000350] THICK, ALL FOUR SIDES 3.18 [.125].
- 10. TOLERANCES APPLY TO SOLDER SIDE OF BOARD.
- 11. ONE HOLE MAY BE UNDERSIZED 0.81-0.90 [.032-.035] DIAMETER FOR ASSEMBLY RETENTION DURING PROCESSING.
- 12. TE LOGO, UL, AND CSA TRADEMARKS TO APPEAR ON THIS SURFACE.

YES	4	12.70 [.500]	5	1744054-1
LEAD FREE	OMITTED POST(S) NO.	L	NO OF POSN	PART NO

THIS DRAWING IS A CONTROLLED DOCUMENT.

DIMENSIONS: mm [INCHES]
 TOLERANCES UNLESS OTHERWISE SPECIFIED:
 0 PLC ±
 1 PLC ±0.25 [.010]
 2 PLC ±
 3 PLC ±
 4 PLC ±
 ANGLES ±30°

MATERIAL:
 FINISH:

DWG: R. WHITAKER 13APR04
 CHK: D. BOSSI 13APR04
 APVD: D. BOSSI 13APR04
 NAME: MTA-100 HEADER ASSY, HIGH TEMPERATURE FRICTION LOCK, .025 SQUARE, RIGHT ANGLE, .000015 GOLD, OMIT POST 4
 PRODUCT SPEC:
 APPLICATION SPEC:
 SIZE: A1
 CAGE CODE: 1744054
 DRAWING NO: 1744054
 WEIGHT:
 CUSTOMER DRAWING

SCALE: 5:1
 SHEET: 1 OF 1
 REV: D1

单击下面可查看定价，库存，交付和生命周期等信息

[>>TE Connectivity\(泰科\)](#)