

4

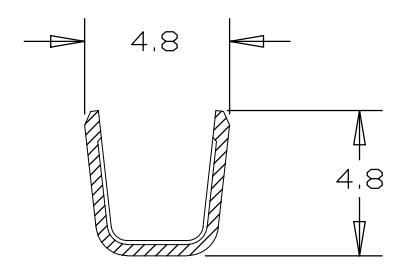
3

2

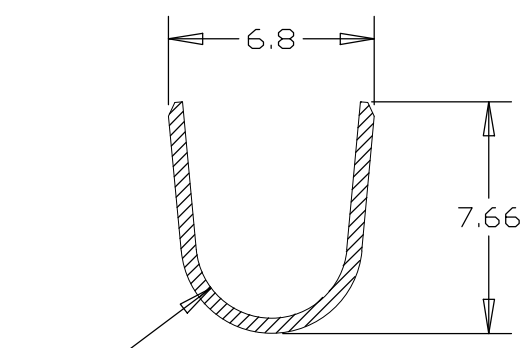
1

THIS DRAWING IS UNPUBLISHED. RELEASED FOR PUBLICATION .19
 © COPYRIGHT 19 BY AMP INCORPORATED. ALL RIGHTS RESERVED.

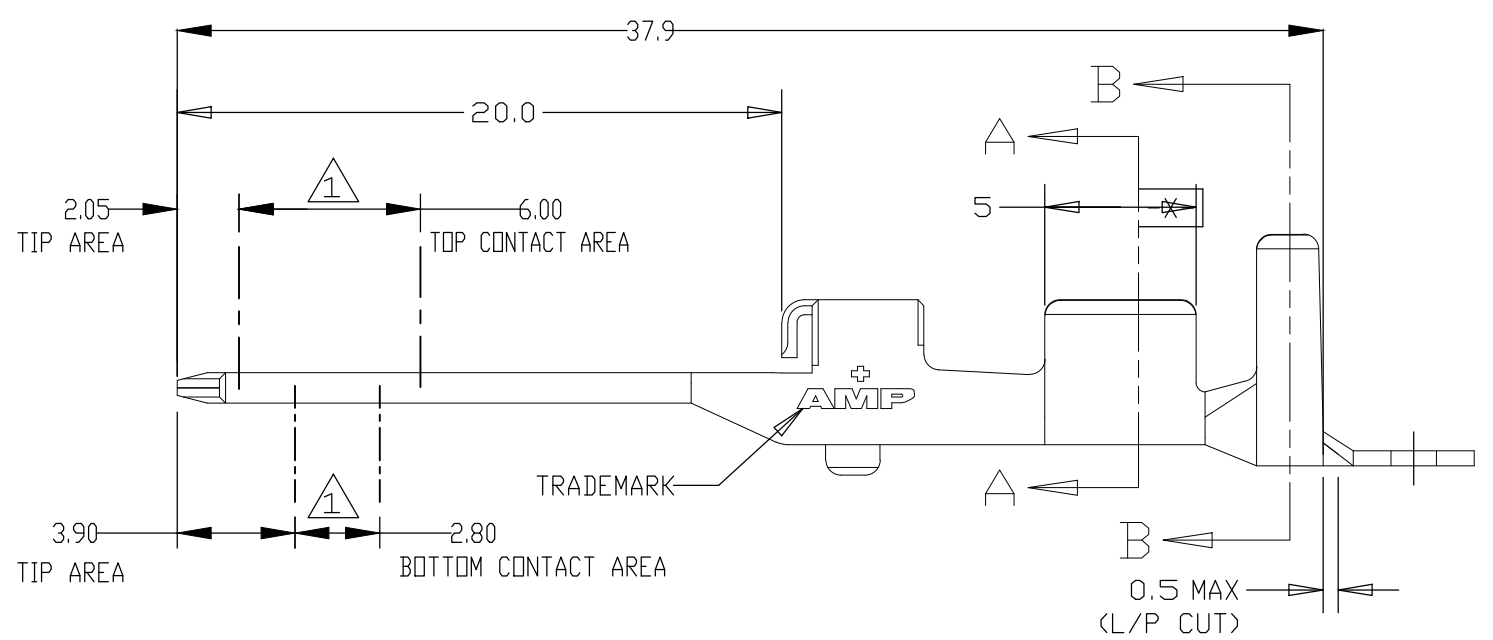
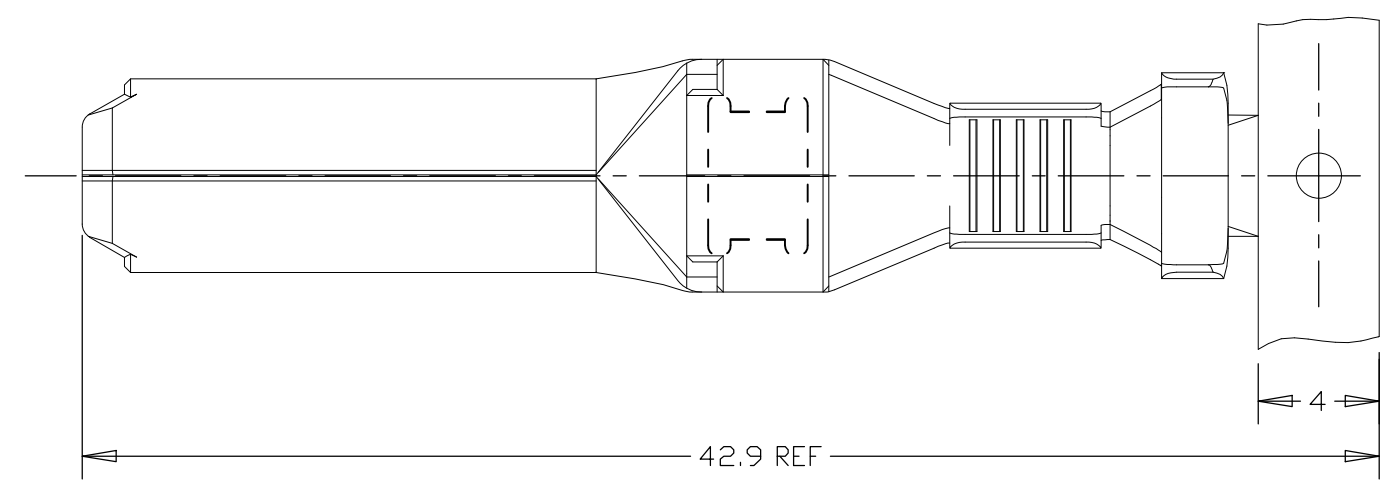
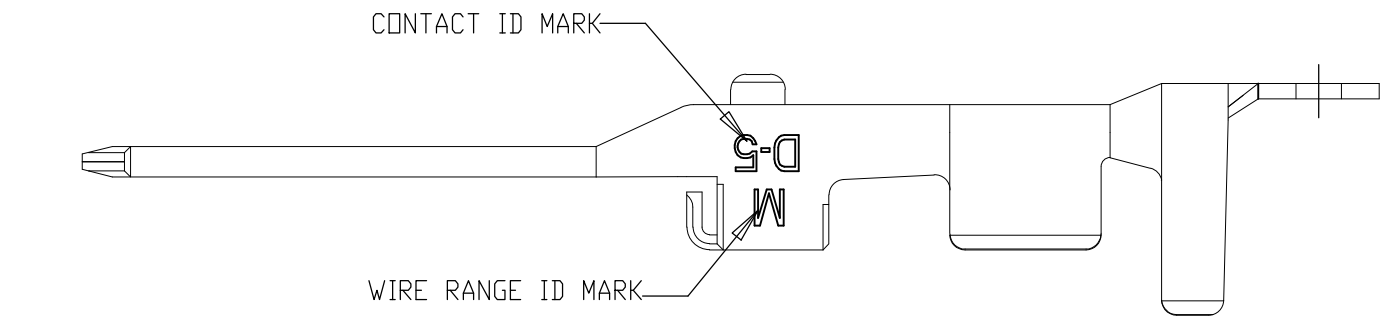
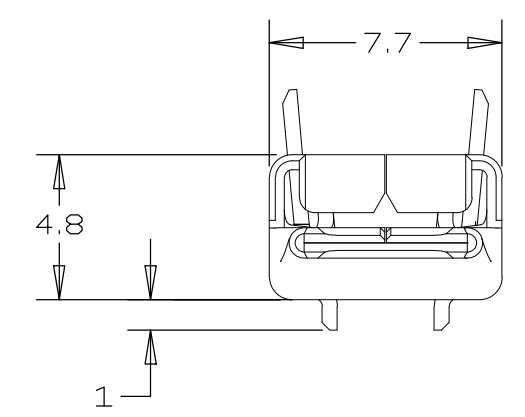
LOC	DIST	REVISIONS			
P	LTR	DESCRIPTION	DATE	DWN	APVD
ES	00	C	REVISED PER ECR-19-014502	17SEP2019	T.S E.I



SECTION A-A



SECTION B-B



	84695-1
FINISH	PART NO.

WIRE RANGE	INSULATION DIA
3.08/5.5mm ² AWG #12/#10	4/5.2mm ϕ

NOTES:
 1. FINISH : 0.2 μ m MIN GOLD (CONTACT AREA) PLATING OVER NI UNDER PLATING ALL OVER EXCEPT INSIDE OF CONTACT BOX GOLD PLATING THK DID NOT CONTROL AT CONTACT TIP AREA
 2. TOLERANCES UNLESS OTHERWISE SPECIFIED
 * ≤ 10 : ± 0.3
 10 < * ≤ 30 : ± 0.35
 30 < * ≤ 100 : ± 0.4
 ANGLE: $\pm 3^\circ$

THIS DRAWING IS A CONTROLLED DOCUMENT FOR AMP INCORPORATED. IT IS SUBJECT TO CHANGE AND THE CONTROLLING ENGINEERING ORGANIZATION SHOULD BE CONTACTED FOR THE LATEST REVISION.		DWN	WY LEE	3JAN'00	TE Connectivity NAME TAB CONTACT "M" SIZE <DYNAMIC D-5000 SERIES>
DIMENSIONS: mm		CHK	LP TAN	3JAN'00	
TOLERANCES UNLESS OTHERWISE SPECIFIED:		APVD	WL CHOO	31MAY'01	
0 PLC \pm 1 PLC ± 0.30 2 PLC ± 0.35 3 PLC ± 0.40 4 PLC \pm ANGLES $\pm 3^\circ$		PRODUCT SPEC	APPLICATION SPEC		
MATERIAL COPPER ALLOY		FINISH	SEE TABLE		114-5206
		WEIGHT	2.08g		SIZE A3
		CUSTOMER DRAWING		CAGE CODE	00779
				DRAWING NO	C-84695
				SCALE	4:1
				SHEET	1 OF 1
				REV	C

单击下面可查看定价，库存，交付和生命周期等信息

[>>TE Connectivity\(泰科\)](#)