

THIS DRAWING IS UNPUBLISHED.

RELEASED FOR PUBLICATION

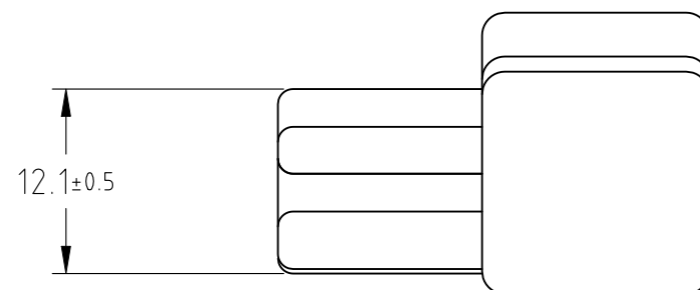
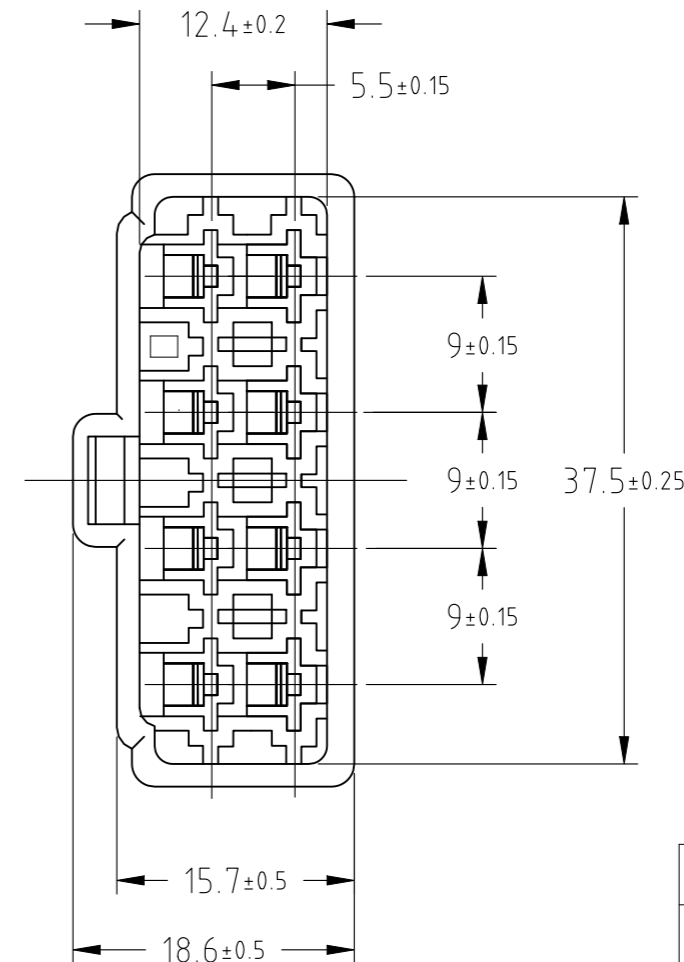
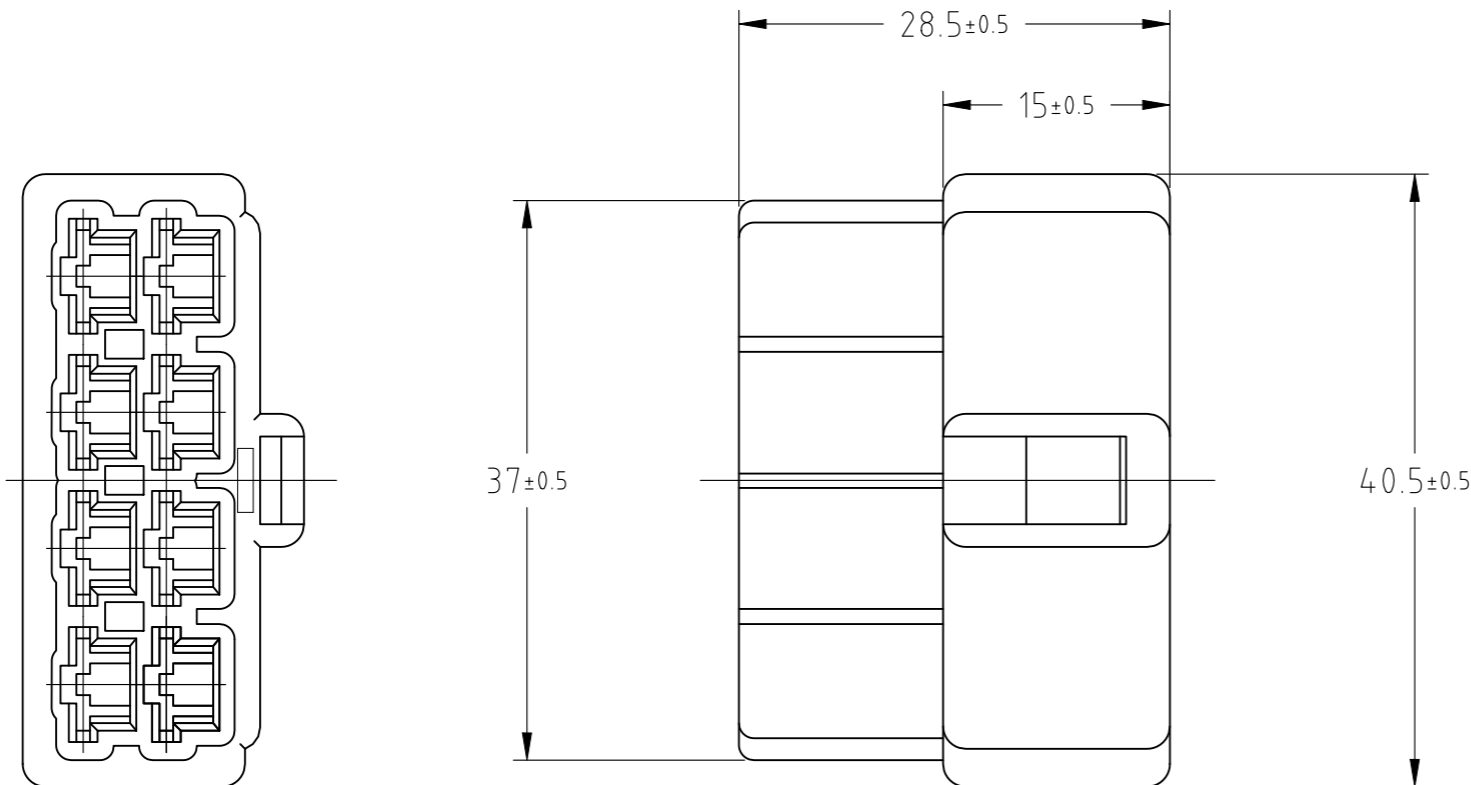
ALL RIGHTS RESERVED.

© COPYRIGHT - By -

REVISIONS

変更

P	LTR	DESCRIPTION	DATE	DWN	APVD
	F2	REVISED PER ECR-20-001496	02SEP2021	SS	EW




LIGHT GRAY	6-172135-6
RED	-9
ORANGE	-8
YELLOW	-7
GRAY	-6
BLUE	-5
GREEN	-4
BROWN	-3
OBSOLETE	BLACK
NATURAL	172135-1
色調 COLOR	型番 PART NUMBER

注記

- 1. かん合する相手ハウジングは型番172136
- 2. 使用端子は型番170340,170341,170349

NOTES

- 1. THE MATING PLUG HOUSING P/N : 172136
- 2. APPLIED CONTACT P/N : 170340,170341,170349

THIS DRAWING IS A CONTROLLED DOCUMENT.		DWN J.SATO 150CT2008	 <b>TE Connectivity</b>													
DIMENSIONS: 単位: 耗 mm		CHK S.MANABE 150CT2008														
TOLERANCES UNLESS OTHERWISE SPECIFIED: 一般公差		APVD S.MANABE 150CT2008	NAME 名称 250 SERIES HOUSING LANCE CONNECTOR 8POS CAP HOUSING													
<table border="1"> <tr><td>0 PLC</td><td>± 0.2</td></tr> <tr><td>1 PLC</td><td>± 0.25</td></tr> <tr><td>2 PLC</td><td>± 0.3</td></tr> <tr><td>3 PLC</td><td>±</td></tr> <tr><td>4 PLC</td><td>±</td></tr> <tr><td>ANGLES</td><td>± 3°</td></tr> </table>		0 PLC	± 0.2	1 PLC	± 0.25	2 PLC	± 0.3	3 PLC	±	4 PLC	±	ANGLES	± 3°	PRODUCT SPEC 製品規格	SIZE A3	
0 PLC	± 0.2															
1 PLC	± 0.25															
2 PLC	± 0.3															
3 PLC	±															
4 PLC	±															
ANGLES	± 3°															
MATERIAL 材料 6/6 NYLON		APPLICATION SPEC 取付適用規格	CAGE CODE 00779	DRAWING NO 番号 C-172135												
FINISH 仕上		WEIGHT	RESTRICTED TO —													
		CUSTOMER DRAWING		SCALE 尺度 2:1												
				SHEET 1 OF 1												
				REV F2												

单击下面可查看定价，库存，交付和生命周期等信息

[>>TE Connectivity\(泰科\)](#)