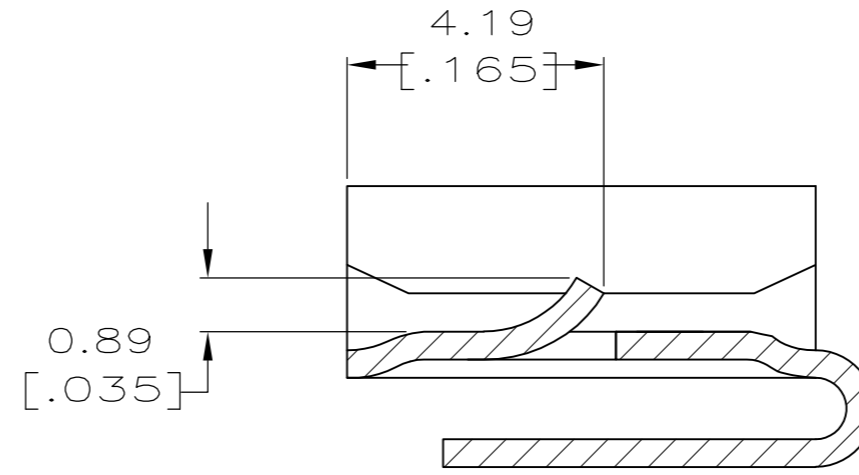
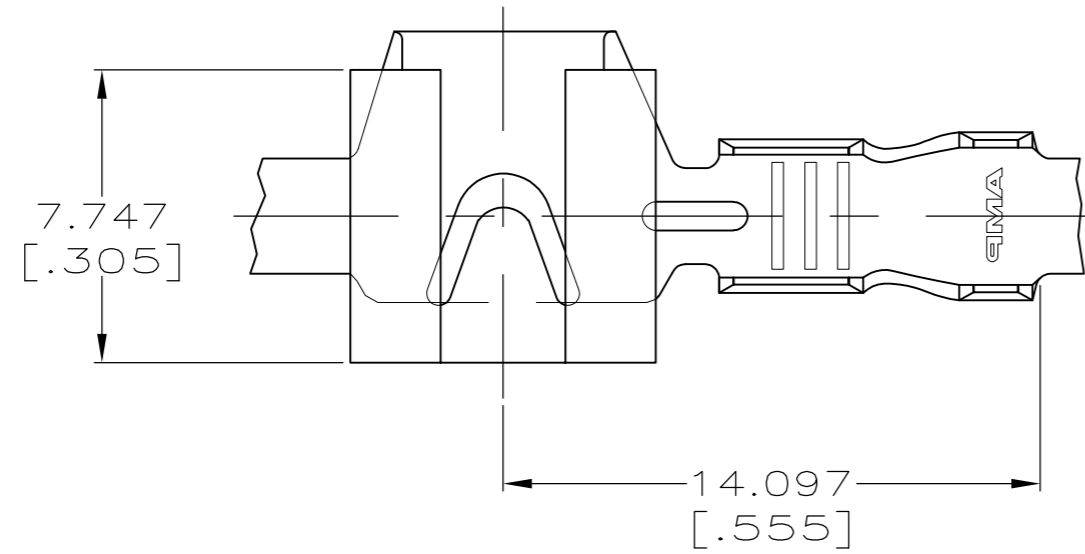


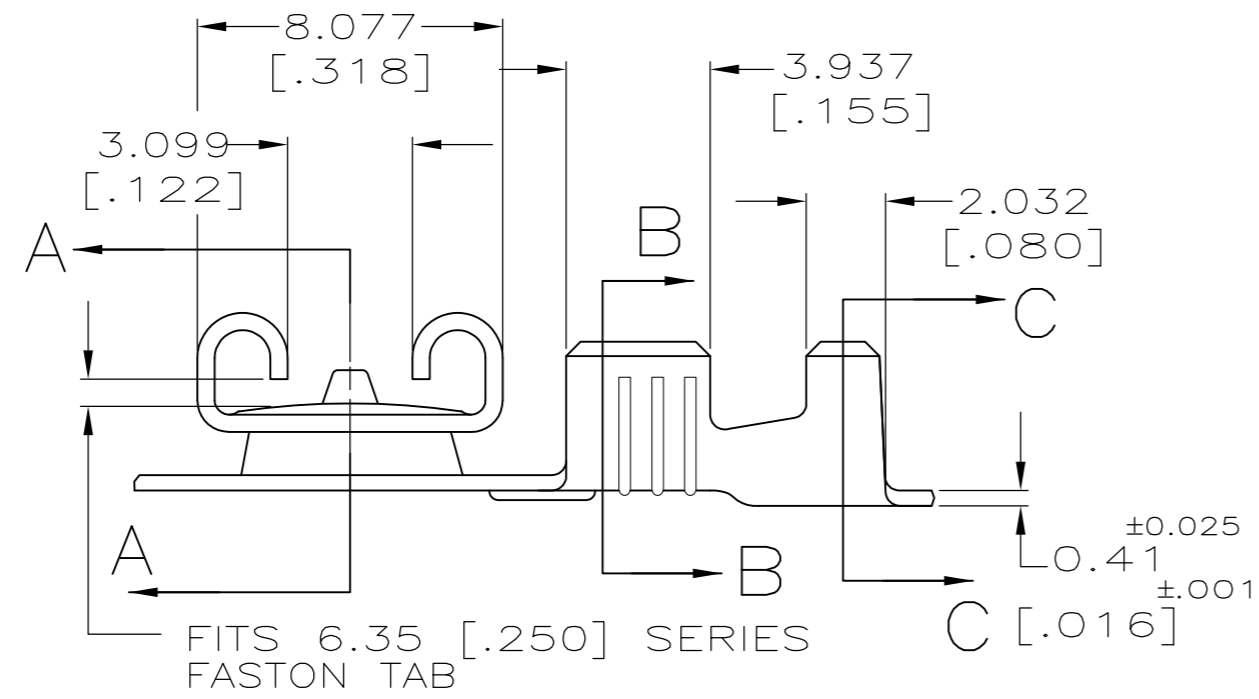
THIS DRAWING IS UNPUBLISHED. RELEASED FOR PUBLICATION  
 © COPYRIGHT - By - ALL RIGHTS RESERVED.

LOC		DIST		REVISIONS			
P	LTR	DESCRIPTION		DATE	DWN	APVD	
AF	50	F		REVISED PER ECR-12-013518	23NOV2012	KH	PD

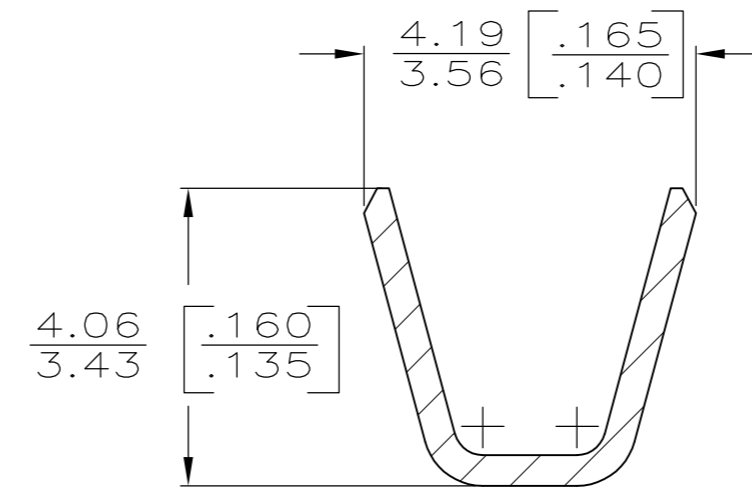
1 CONTINUOUS STRIP ON REELS.



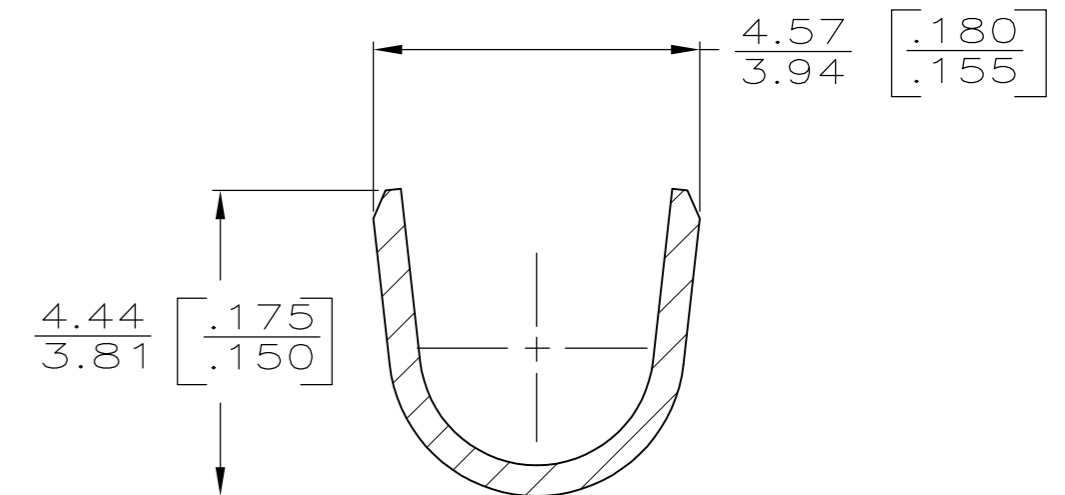
SECTION A-A  
SCALE 8:1



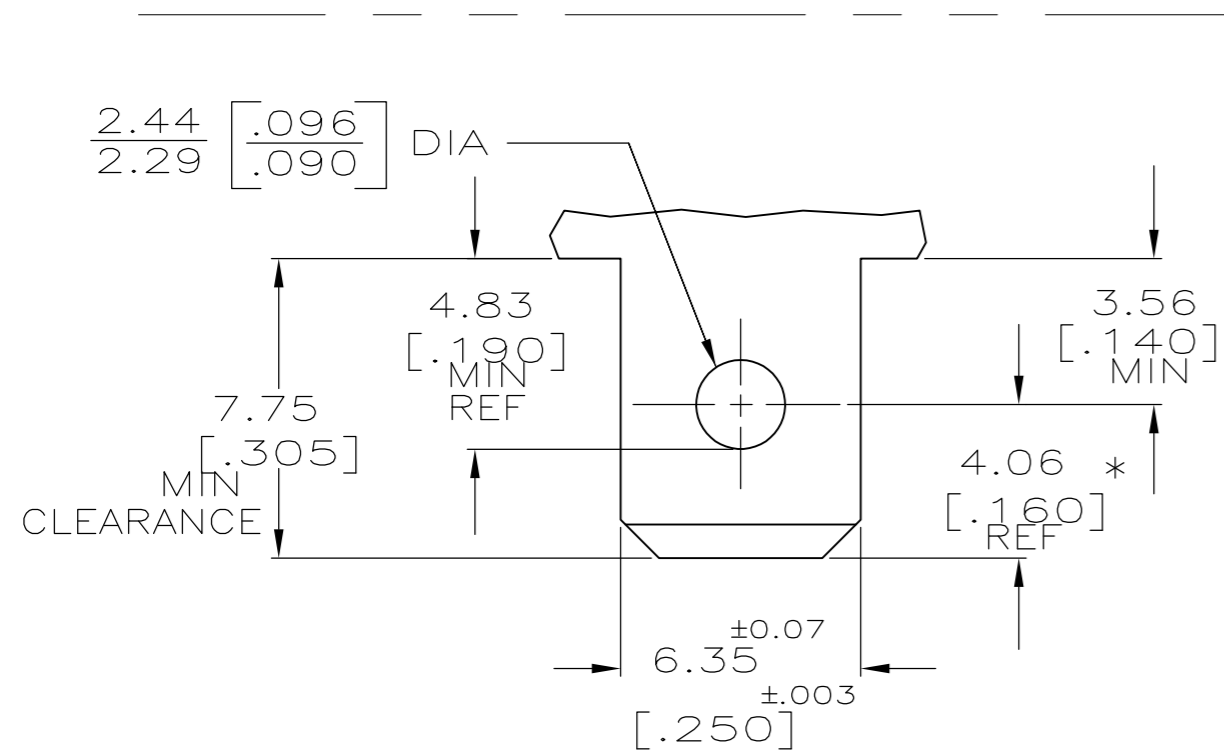
FITS 6.35 [.250] SERIES FASTON TAB



SECTION B-B  
SCALE 10:1



SECTION C-C  
SCALE 10:1



RECOMMENDED MATING TAB

MAT'L: 1/2 H BRASS OR NICKEL PL STL

\* TO BE USE ONLY WHEN SHOULDER IS ELIMINATED

2.29-3.30 [.090-.130]	0.8-2.0mm <sup>2</sup> [18-14]	0.81 [.032]	63541-1
INSUL RANGE	WIRE SIZE	MATING TAB THK ±.001	PART NO

0	3.56 [.140]	5.59 [.220]	F	3.30 [.130]	1.75 [.069]	2.0mm <sup>2</sup> [14]	THIS DRAWING IS A CONTROLLED DOCUMENT. DIMENSIONS: mm [INCHES] 	TOLERANCES UNLESS OTHERWISE SPECIFIED: 0 PLC ± - 1 PLC ± - 2 PLC ± - 3 PLC ± 0.25 [.010] 4 PLC ± - ANGLES ± -	DWN JR RUTH 6/27/89		NAME RECP.T., FASTON, FLAG, REVERSIBLE, LOCK-ON, 6.35 [.250] SERIES		
					1.55 [.061]	1.3mm <sup>2</sup> [16]			CHK P FORTNEY 6/27/89				
					1.42 [.056]	0.8mm <sup>2</sup> [18]			APVD J GILLESPIE 6/27/89				
TYPE	WIDTH	STRIP LENGTH ±.015	TYPE	WIDTH	±.051 [±.002] HEIGHT	WIRE	MATERIAL BRASS	FINISH TIN	PRODUCT SPEC	APPLICATION SPEC	RESTRICTED TO		
INSUL BARREL CRIMP			WIRE BARREL CRIMP						WEIGHT -	SCALE 5:1	SHEET 1 OF 1		
CUSTOMER DRAWING										SIZE A2	CAGE CODE 00779	DRAWING NO C-63541	REV F

单击下面可查看定价，库存，交付和生命周期等信息

[>>TE Connectivity\(泰科\)](#)