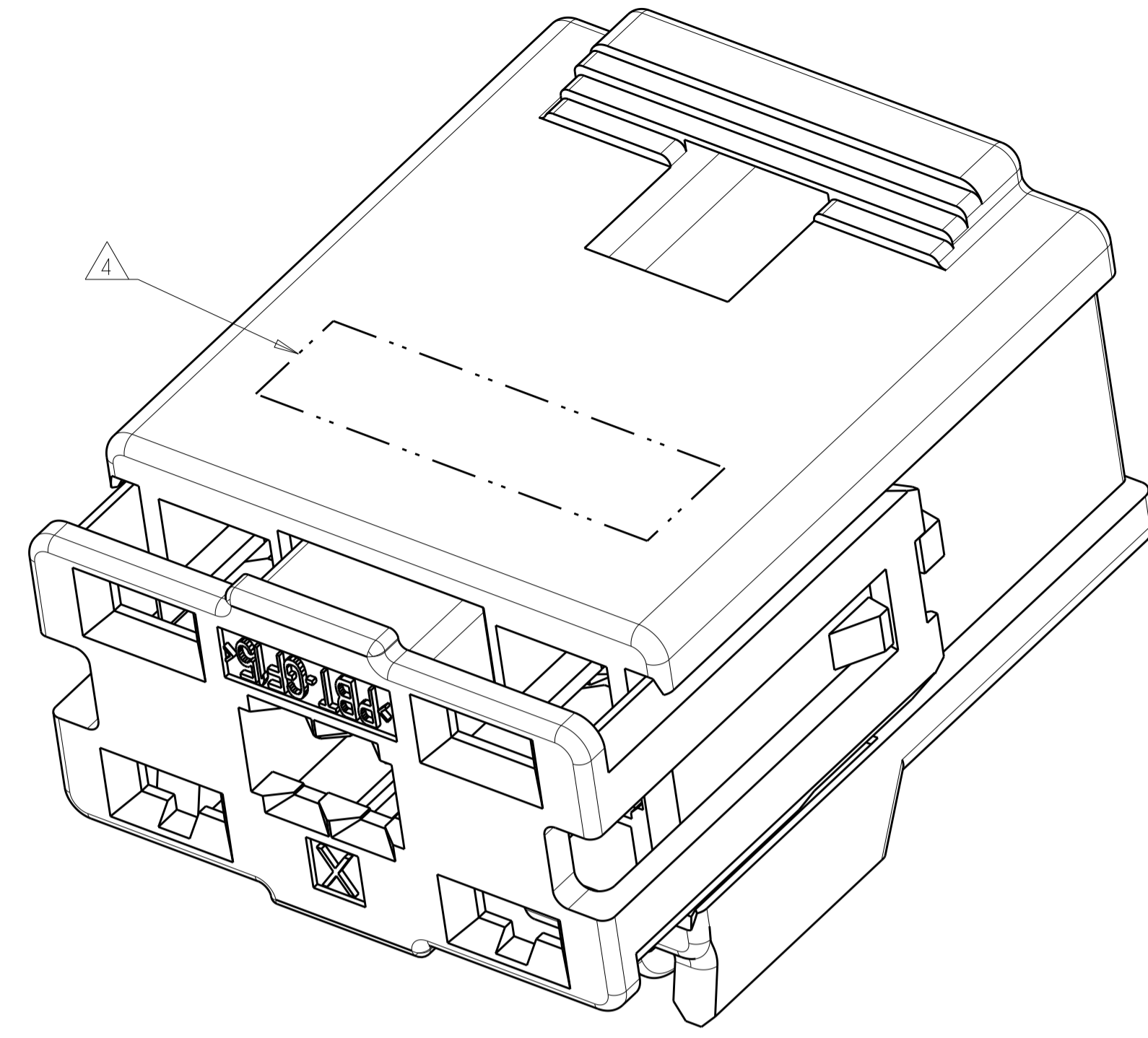
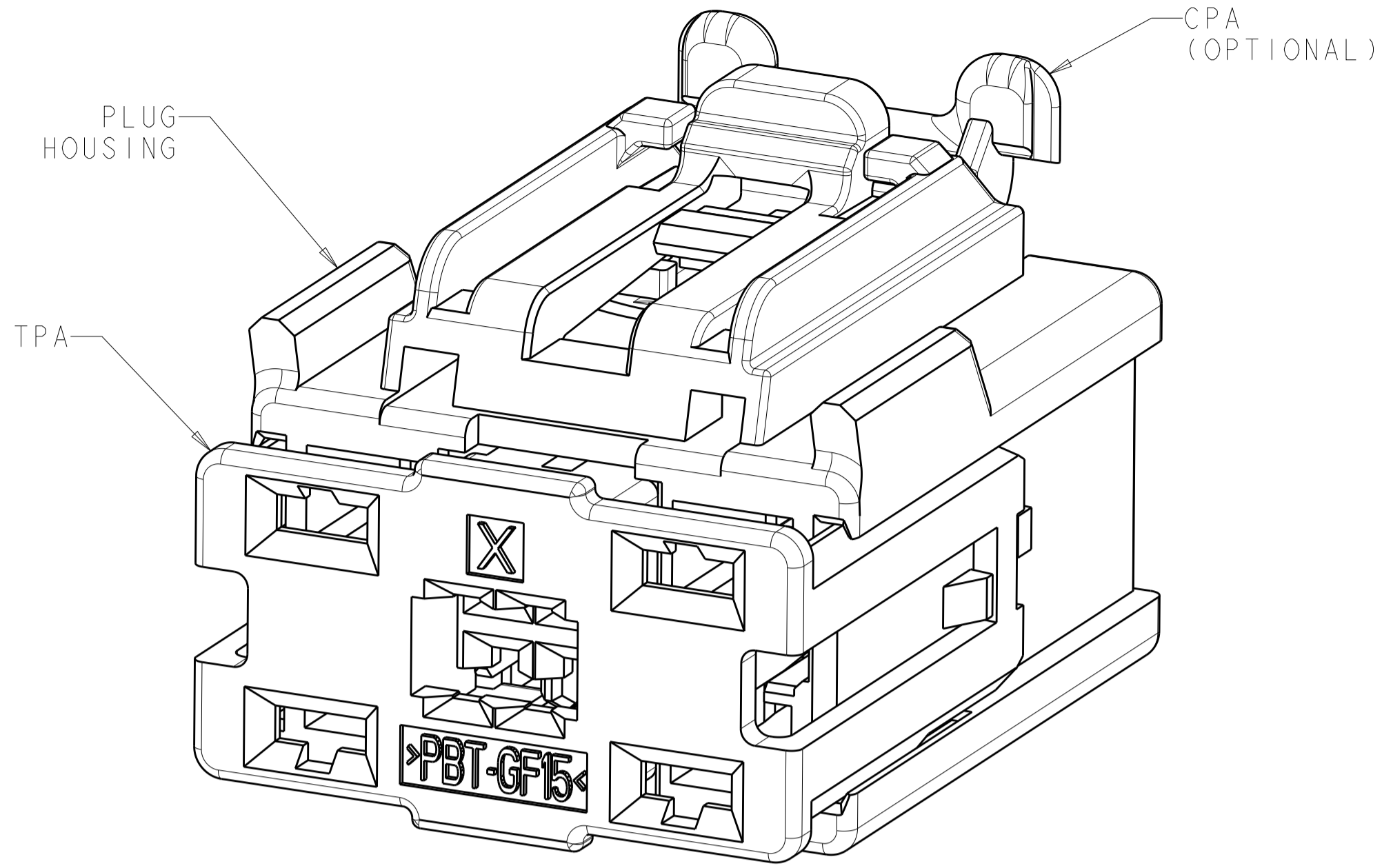


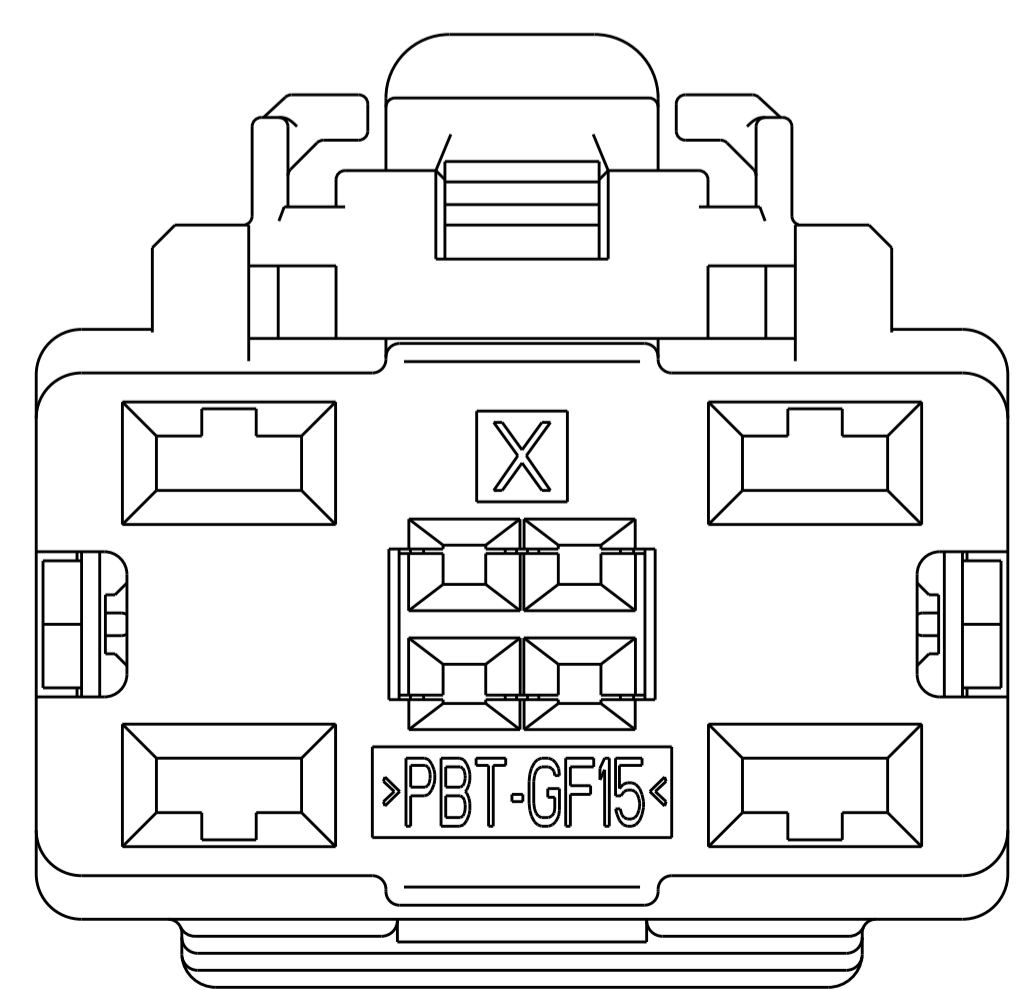
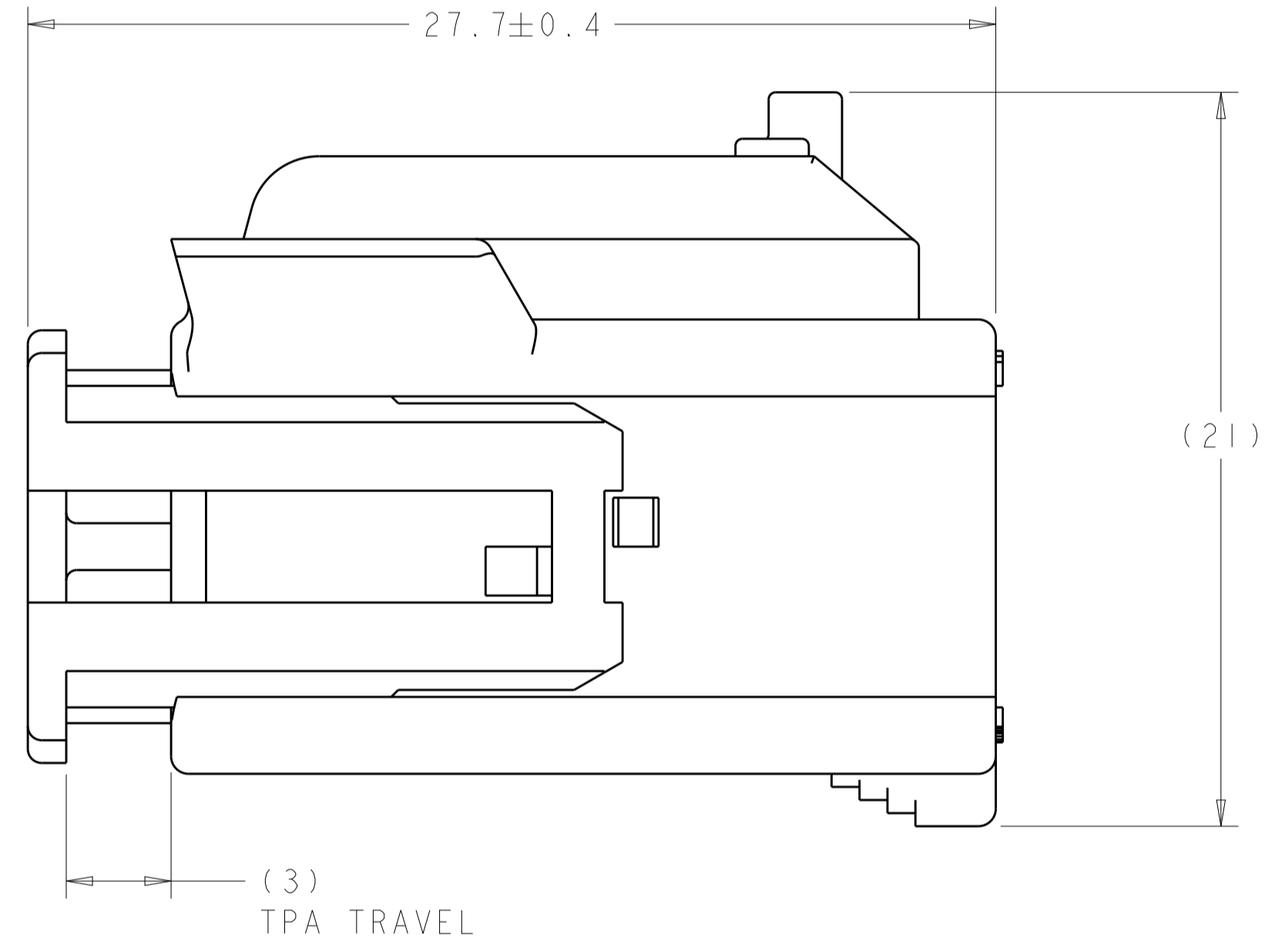
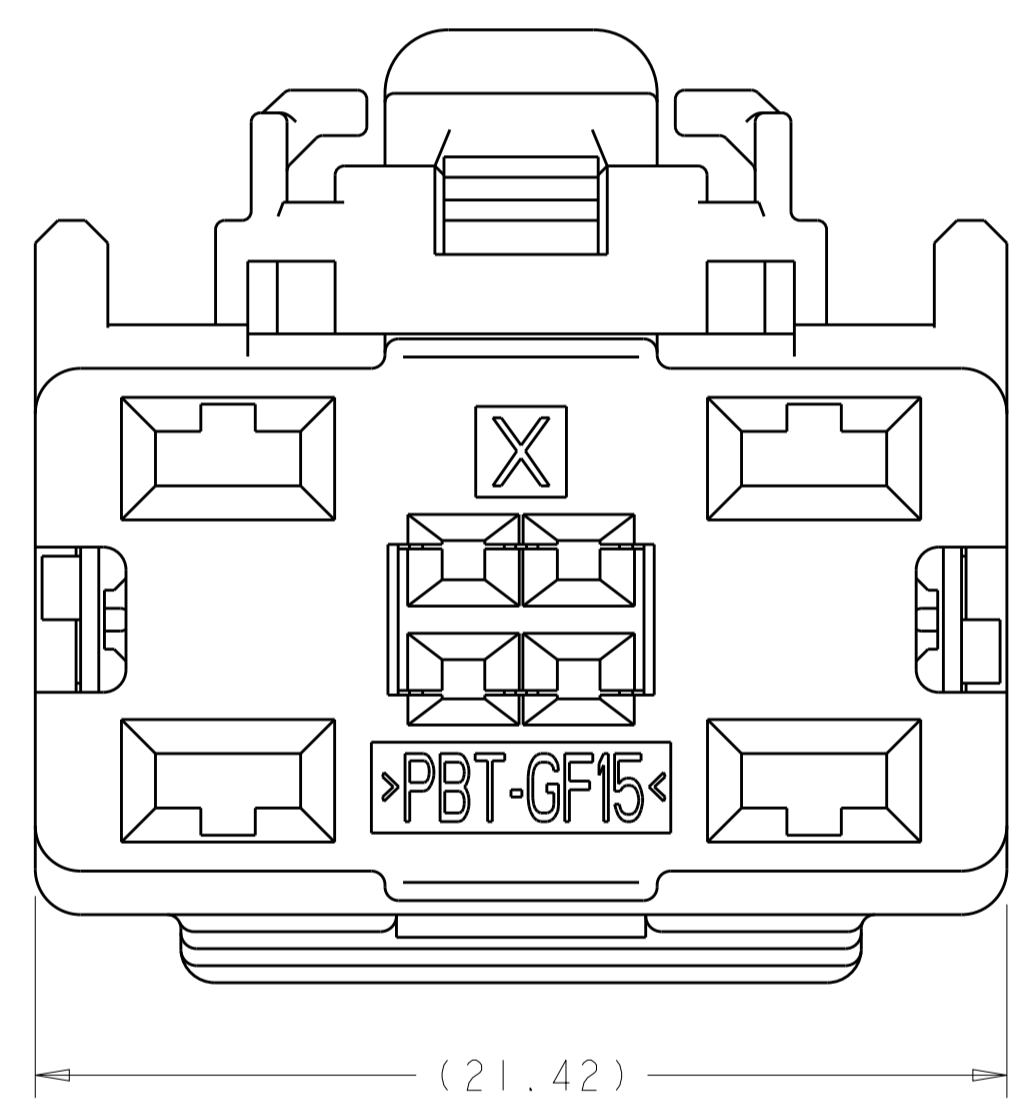
LOC	DIST	REV	DATE	BY	CHK	APPV
IN	00					

REVISIONS						
REV	DATE	DESCRIPTION	BY	CHK	APPV	DATE
A1	23JAN2008	RELEASED PER ECO-07-006875	AJV			AJV
A2	06JUN2011	REVISED PER ECO-11-011498	DLD			CJS
A3	07JAN2013	REVISED PER ECO-13-000026	DLD			CJS
A4	05APR2013	REVISED PER ECO-13-005761	DLD			CJS

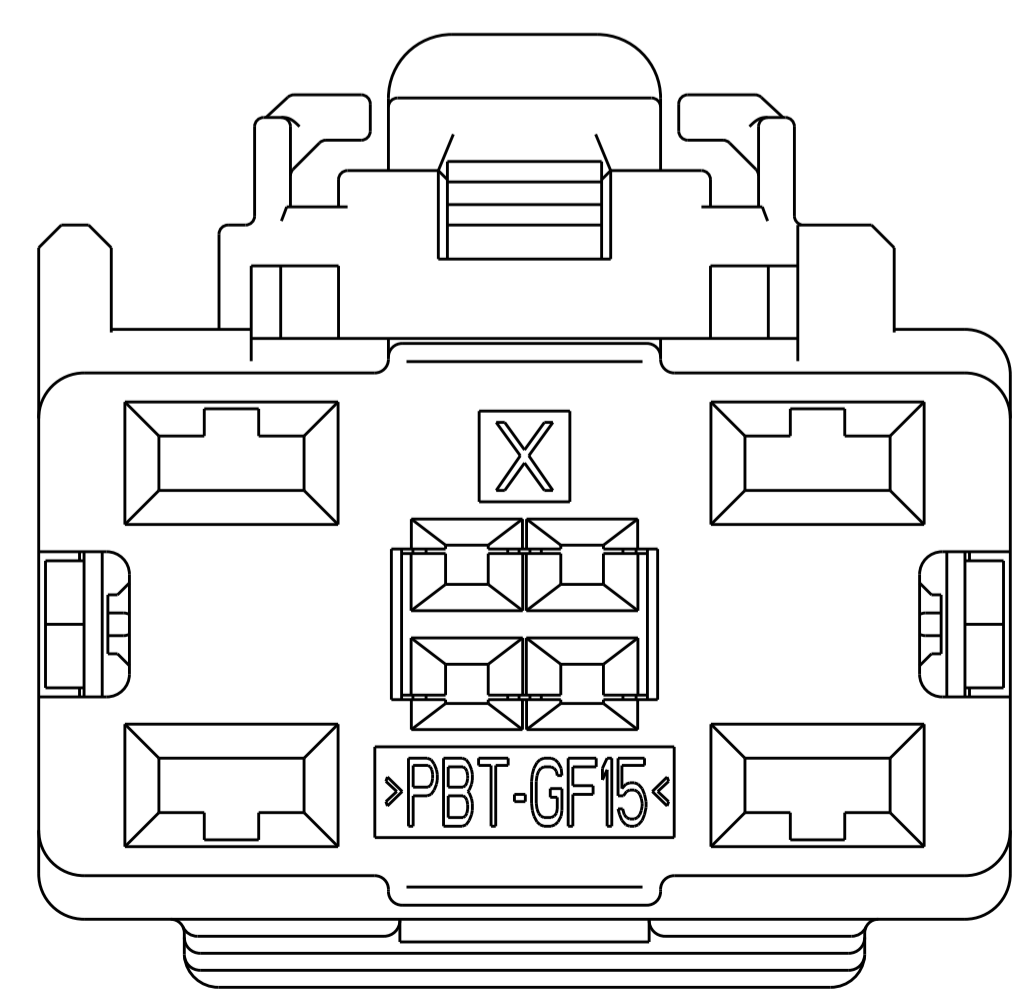


- MATERIAL:
 PLUG HOUSING: NYLON 35% GLASS FILLED, COLOR - SEE TABLE
 TPA: PBT 15% GLASS FILLED, COLOR - NATURAL
 CPA (OPTIONAL): PBT 20% GLASS FILLED, COLOR - RED
- TPA SHOWN IN SHIPPING POSITION.
- OPTIONAL CPA AVAILABLE.
- MARK DATE CODE IN APPROXIMATE LOCATION.
- MATING RECEPTACLES:
 1326030 TIN PLATING, 2.8 CONTACT
 1924955 TIN PLATING, 0.64 CONTACT

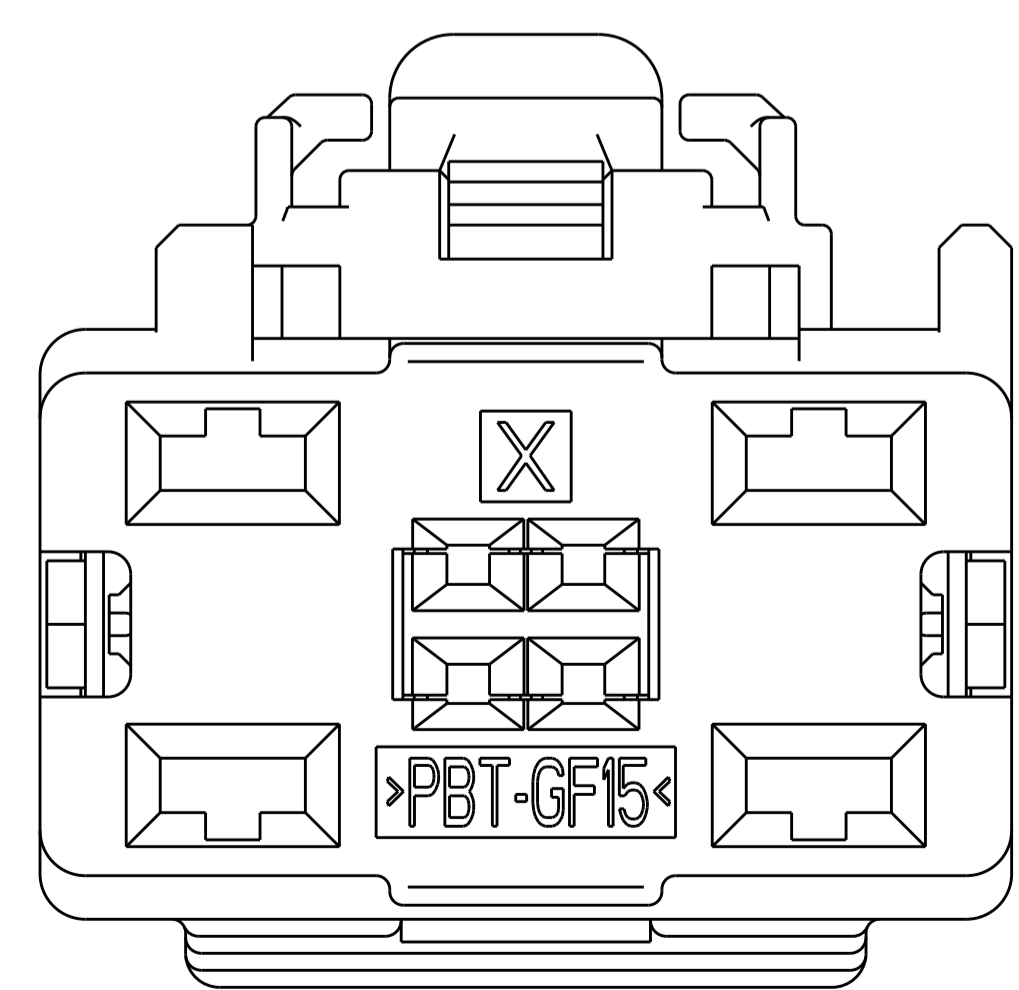
TPA SHOWN IN SHIPPING POSITION WITH OPTIONAL CPA SHOWN



KEYING OPTION "B"
1456471-2



KEYING OPTION "C"
1456471-3



KEYING OPTION "D"
1456471-4

KEYING OPTION	TE	KEYING OPTION	PART NUMBER
YES	D	GRAY	1456471-8
YES	C	BLACK	1456471-7
YES	B	GRAY	1456471-6
YES	A	BLACK	1456471-5
NO	D	GRAY	1456471-4
NO	C	BLACK	1456471-3
NO	B	GRAY	1456471-2
NO	A	BLACK	1456471-1

THIS DRAWING IS A CONTROLLED DOCUMENT.

DIMENSIONS: mm
 TOLERANCES UNLESS OTHERWISE SPECIFIED:
 0 PLC ±
 1 PLC ±0.3
 2 PLC ±0.10
 3 PLC ±
 4 PLC ±
 ANGLES ±
 FINISH ±

MATERIAL: -
 FINISH: -
 WEIGHT: -
 CUSTOMER DRAWING: -

DWG: M. HITCHCOCK 16MAY2006
 CHK: A. VASBINDER 16MAY2006
 APPV: A. VASBINDER 16MAY2006

STE TE Connectivity
 NAME: PLUG ASSEMBLY, 8-WAY UNSEALED HYBRID (4-0.64mm, 4-2.8mm)
 SIZE: A1
 CAGE CODE: 100779
 DRAWING NO: 1456471
 SCALE: 6:1
 SHEET 1 OF 1
 REV: A4

单击下面可查看定价，库存，交付和生命周期等信息

[>>TE Connectivity\(泰科\)](#)