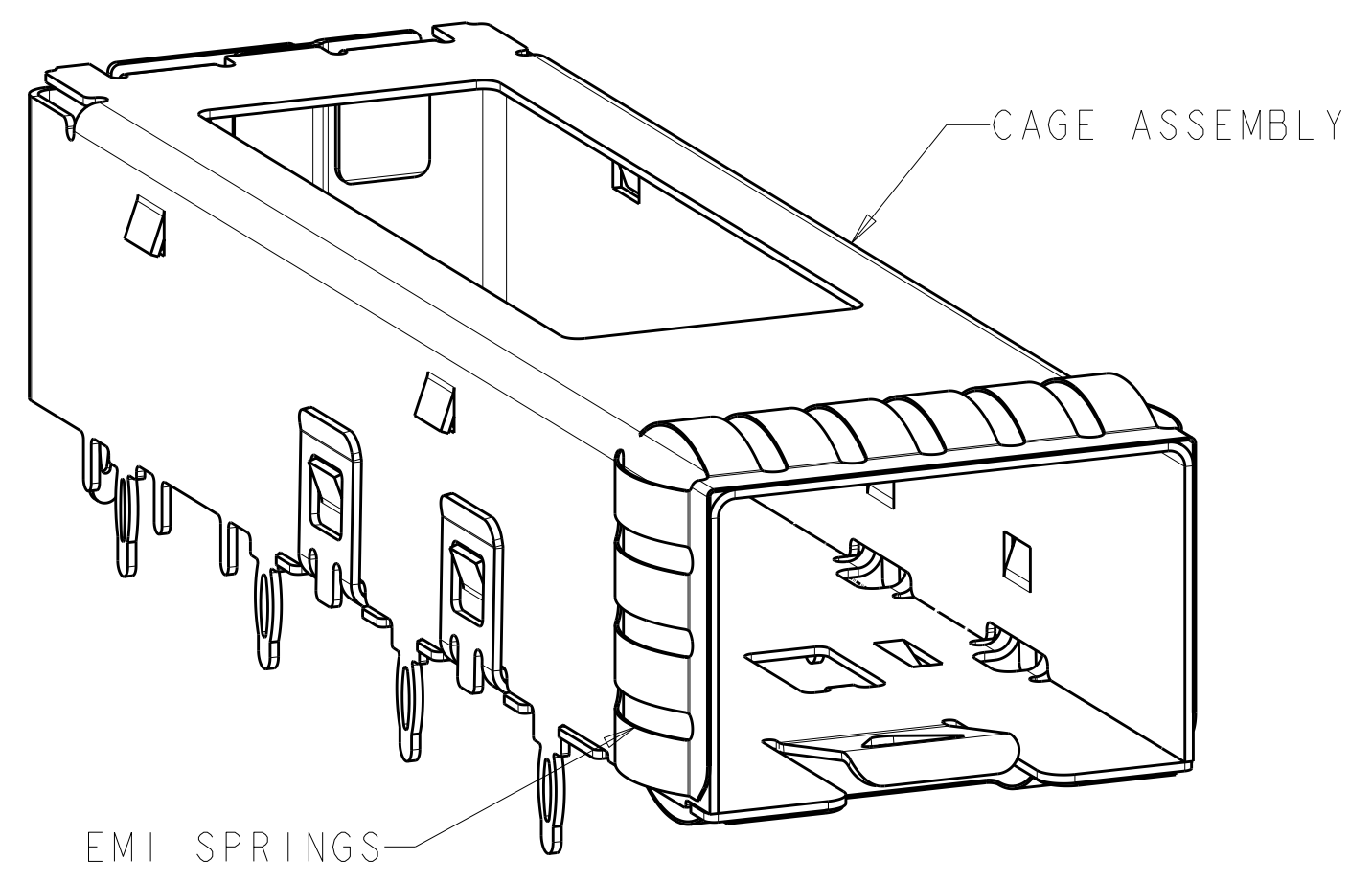
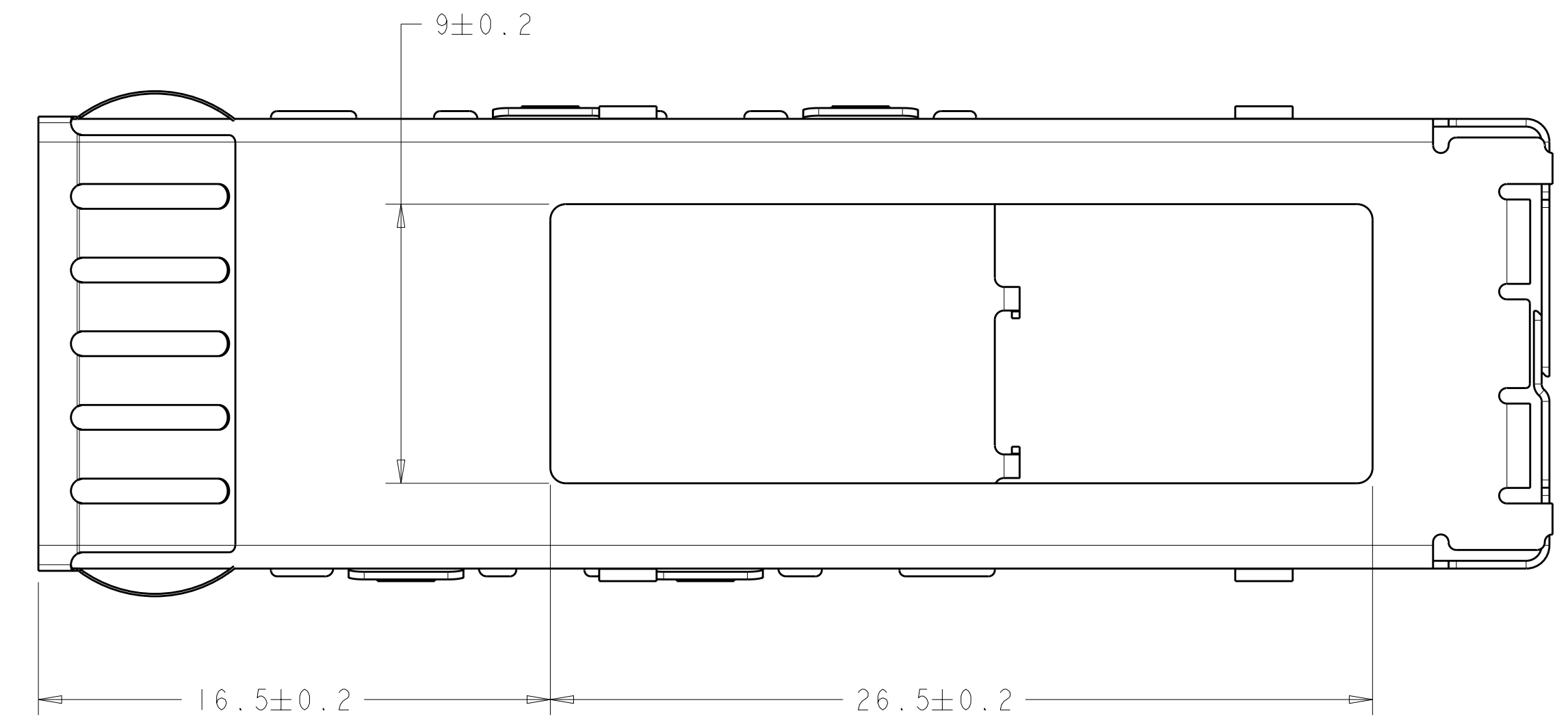


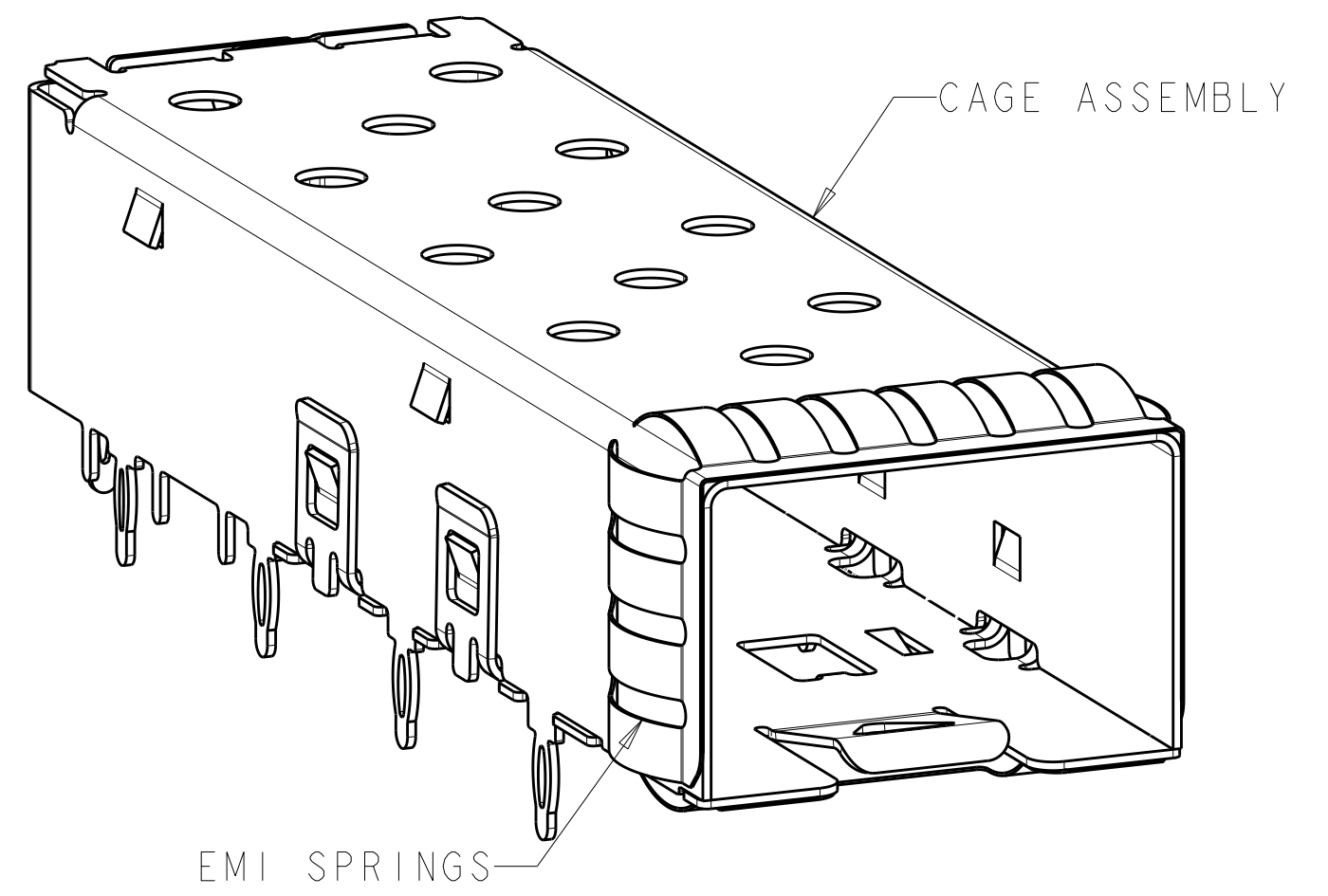
LOC	DIST	REVISIONS			
GP	00	REV	DATE	BY	APPD
		B	200CT2009	CR	MS
		C	07DEC2011	TX	AC



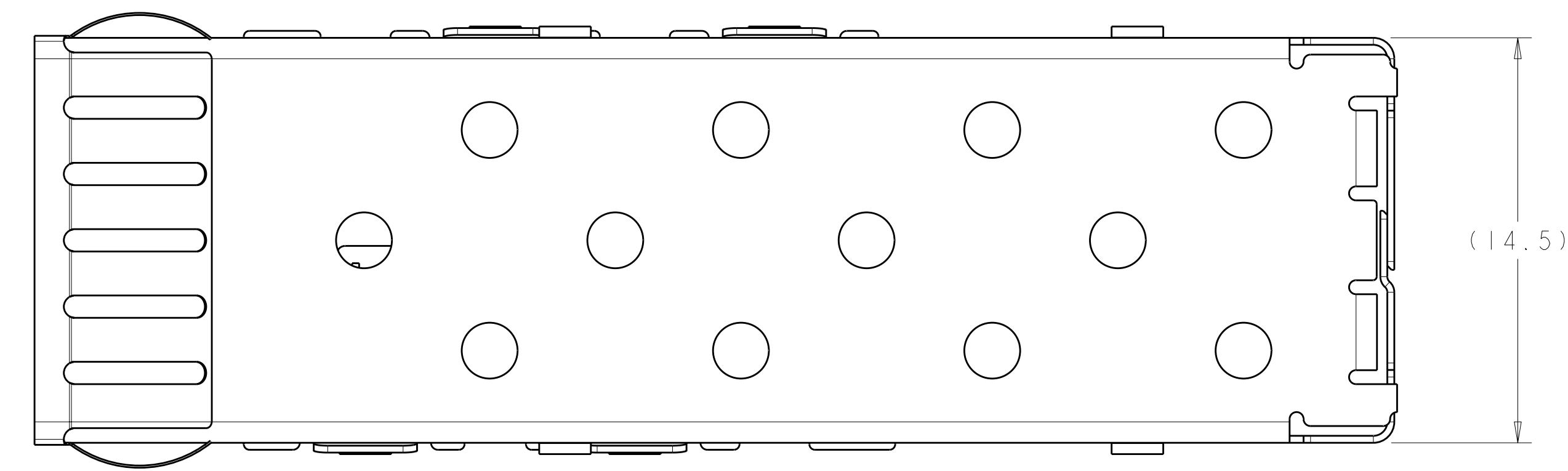
2007215-2  
SCALE 5:1



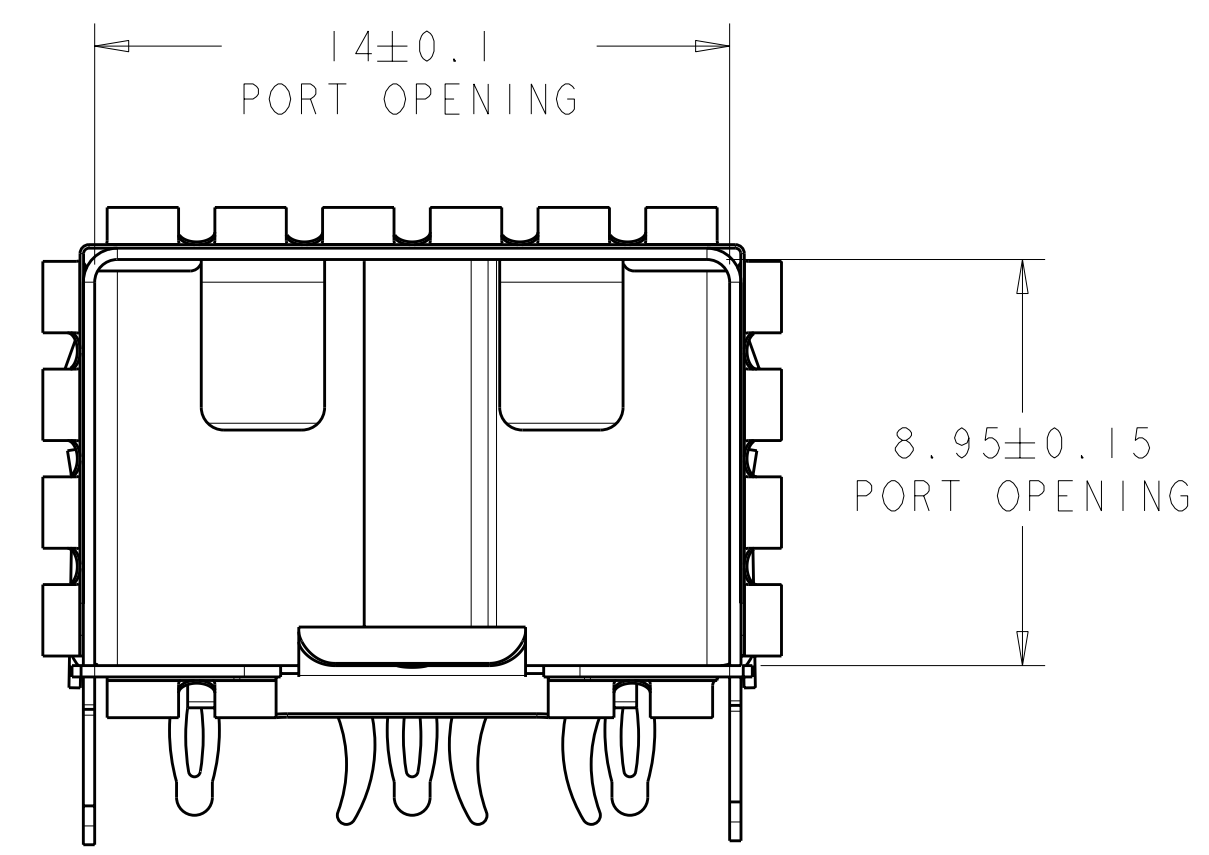
2007215-2  
SAME AS 2007215-1 EXCEPT AS SHOWN  
TOP VIEW



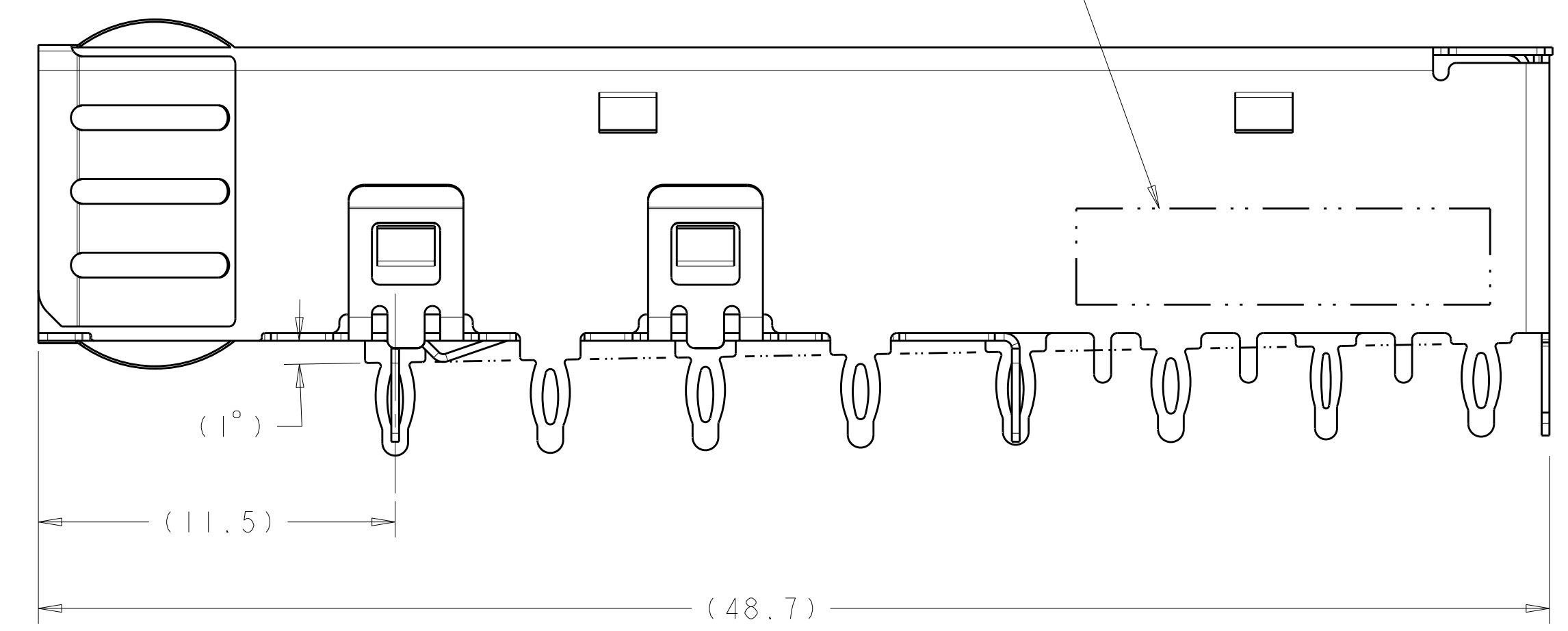
2007215-1  
SCALE 5:1



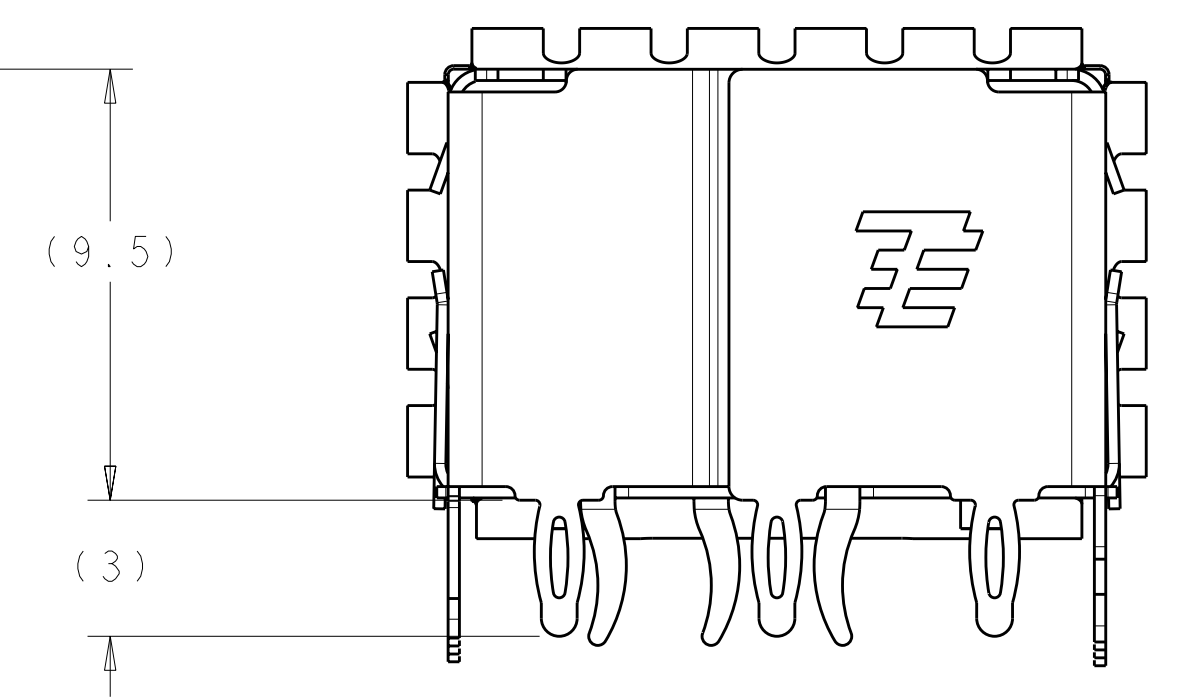
2007215-1  
TOP VIEW



APPROXIMATE LOCATION  
OF DATE CODE LABEL



- 1 MATERIAL:  
CAGE ASSEMBLY - 0.25mm THICK NICKEL-SILVER ALLOY.  
EMI SPRINGS - COPPER ALLOY.
- 2 FINISH:  
EMI SPRINGS - 0.8um MIN TIN OVER 0.8um MIN NICKEL,  
NON PLATED EDGES PERMISSIBLE.
- 3. MATES WITH SFP MSA COMPLIANT TRANSCEIVERS.
- 4 PADS AND VIAS CHASSIS GROUND.
- 5 DATUMS AND BASIC DIMENSIONS ESTABLISHED BY CUSTOMER.
- 6. MINIMUM PC BOARD THICKNESS:  
SINGLE SIDED = 1.50mm
- 7 REFERENCE APPLICATION SPEC. 114-13120, HOLE A,  
FOR RECOMMENDED DRILL HOLE DIAMETER AND PLATING  
THICKNESS.
- 8 REFERENCE APPLICATION SPEC. 114-13120, HOLE C,  
FOR RECOMMENDED DRILL HOLE DIAMETER AND PLATING  
THICKNESS.
- 9. NOTE DELETED



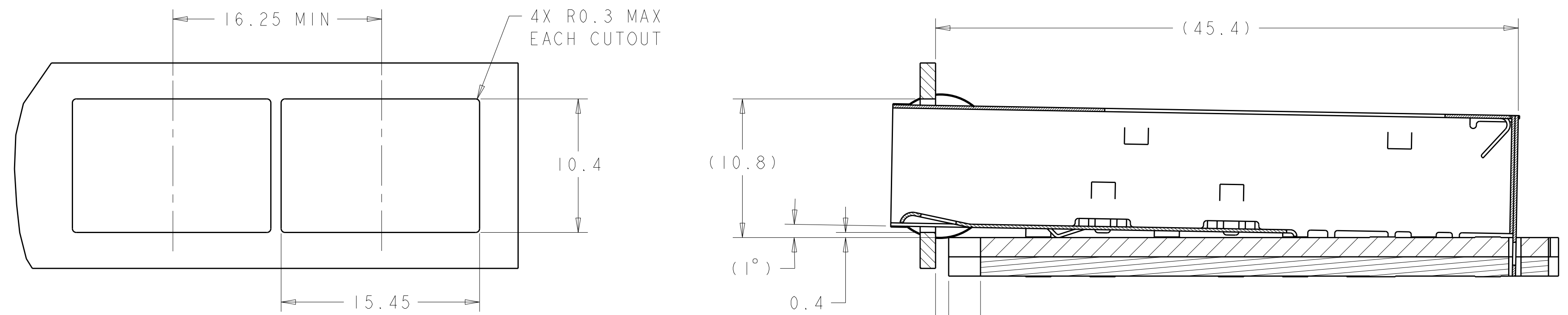
HEATSINK OPENING	2007215-2
EMI HOLES	2007215-1
DESCRIPTION	PART NUMBER

THIS DRAWING IS A CONTROLLED DOCUMENT.		DWN M. SCHMITT 6AUG2007 CHK M. SCHMITT 6AUG2007 APVD B. WERTZ 6AUG2007	NAME <b>STE</b> TE Connectivity	
DIMENSIONS: mm 	TOLERANCES UNLESS OTHERWISE SPECIFIED: 9 PLC ±0.1 1 PLC ±0.1 3 PLC ±0.1 5 PLC ±0.05 4 PLC ±0.05 ANGLES ±0.05	PRODUCT SPEC 108-2364 APPLICATION SPEC 114-13120	SIZE CAGE CODE DRAWING NO A100779C=2007215	
MATERIAL	FINISH	WEIGHT	RESTRICTED TO CUSTOMER DRAWING SCALE 6:1 SHEET 1 OF 2 REV C	

LOC	DIST	REV	DATE	BY	APPD
GP	00				

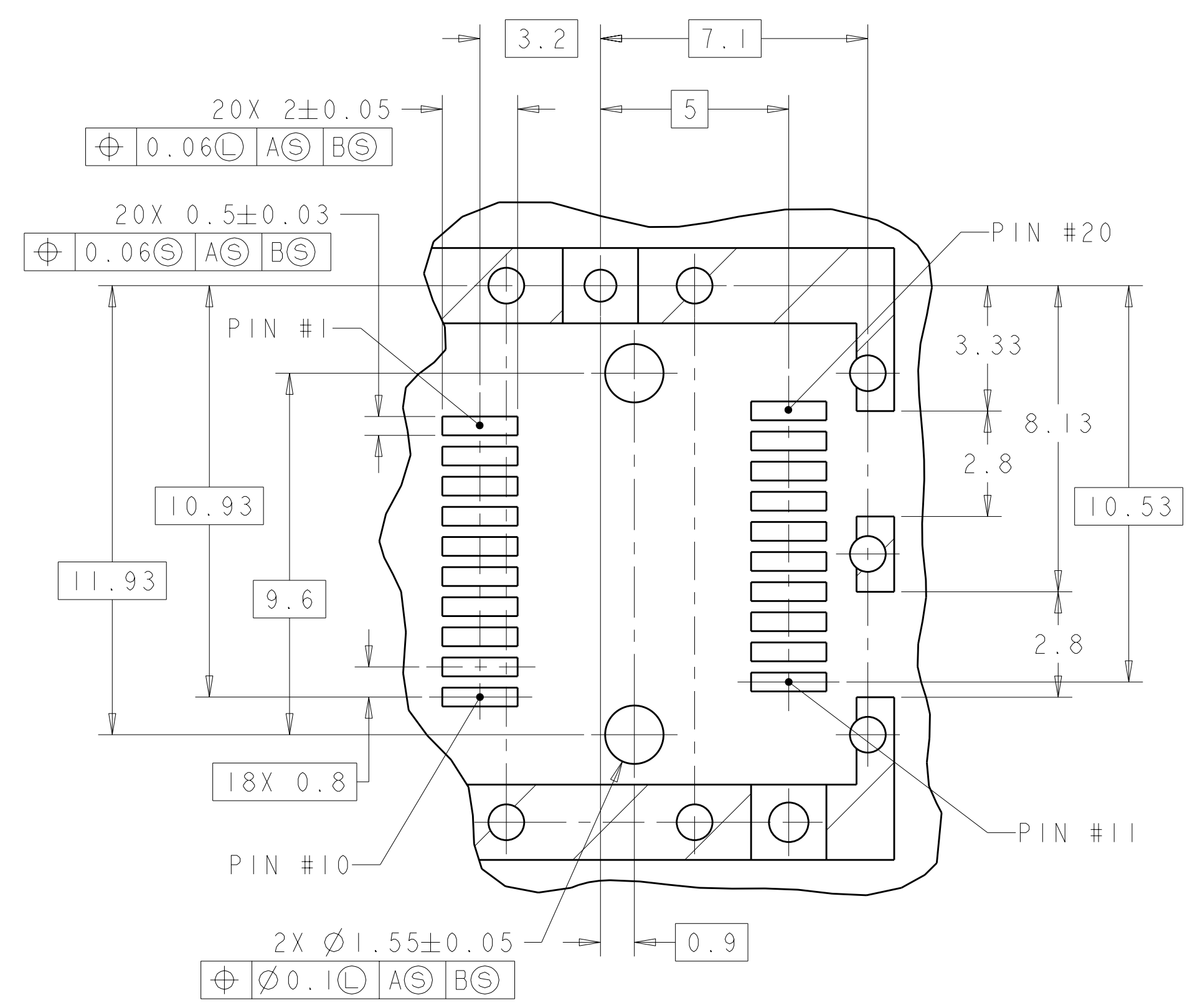
  

REVISIONS		DATE	BY	APPD
1	SEE SHEET 1			

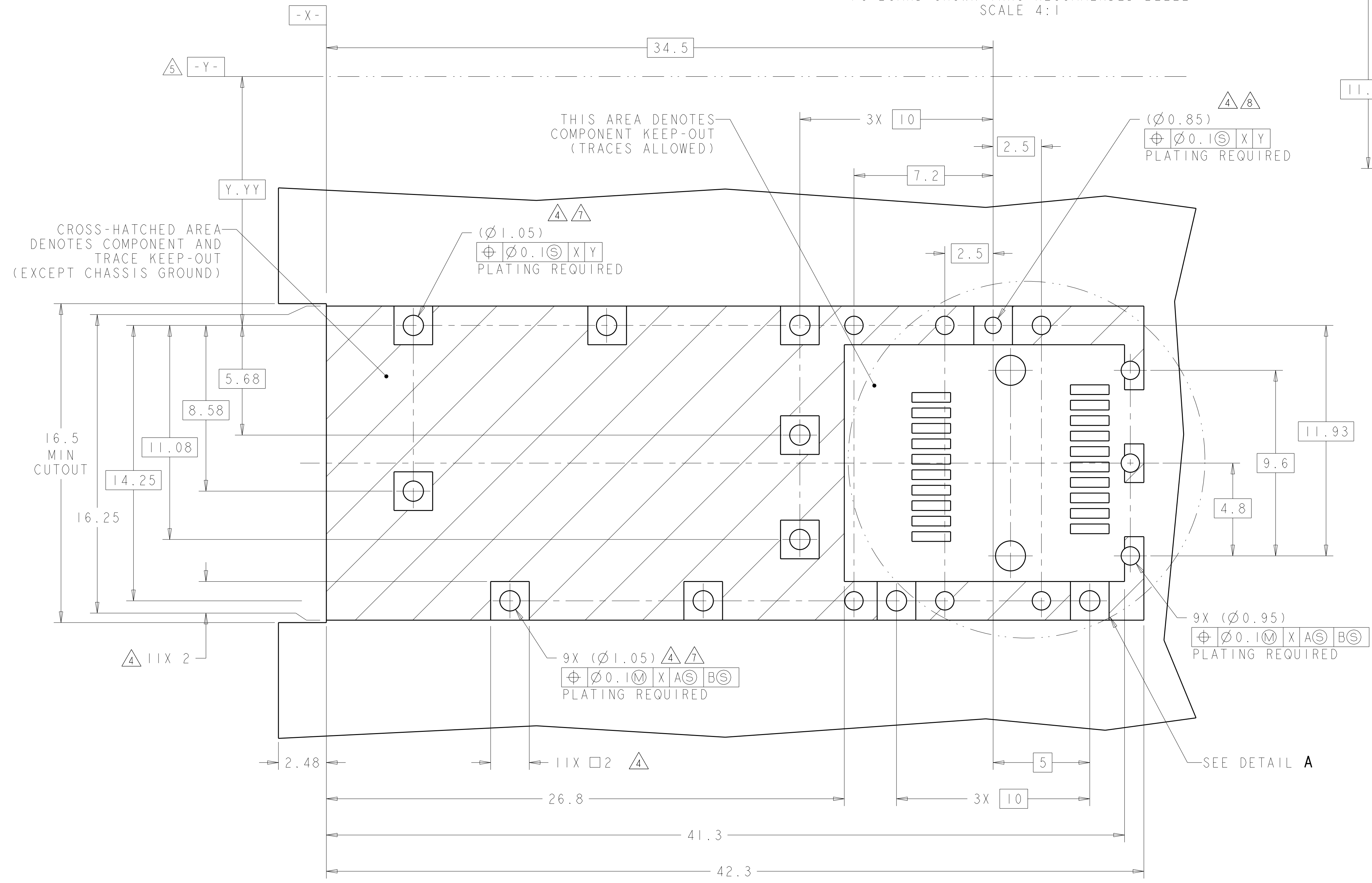


RECOMMENDED BEZEL CUTOUT SCALE 4:1

3.5±0.3 BACK OF BEZEL TO PC BOARD CUTOUT  
 1.02±0.3 BACK OF BEZEL TO FRONT OF PC BOARD  
 CAGE ASSEMBLY MOUNTED ON RECOMMENDED PC BOARD SHOWN THRU RECOMMENDED BEZEL SCALE 4:1



DETAIL A SCALE 8:1



RECOMMENDED PCB LAYOUT SCALE 8:1

THIS DRAWING IS A CONTROLLED DOCUMENT.		DWN M. SCHMITT 6AUG2007	 TE Connectivity
DIMENSIONS: mm		CHK M. SCHMITT 6AUG2007	
TOLERANCES UNLESS OTHERWISE SPECIFIED:		APVD B. WERTZ 6AUG2007	NAME SFP+ IXI CAGE ASSEMBLY, PCI, PRESS-FIT EMI SPRING FINGERS
9 PLC ±0.1	1 PLC ±0.1	PRODUCT SPEC 108-2364	SIZE CAGE CODE DRAWING NO. RESTRICTED TO
5 PLC ±0.1	4 PLC ±0.05	APPLICATION SPEC 114-13120	A100779C=2007215
4 PLC ±0.05	ANGLES ±0.05	WEIGHT	SCALE 6:1 SHEET 2 OF 2 REV C
MATERIAL	FINISH	CUSTOMER DRAWING	

单击下面可查看定价，库存，交付和生命周期等信息

[>>TE Connectivity\(泰科\)](#)