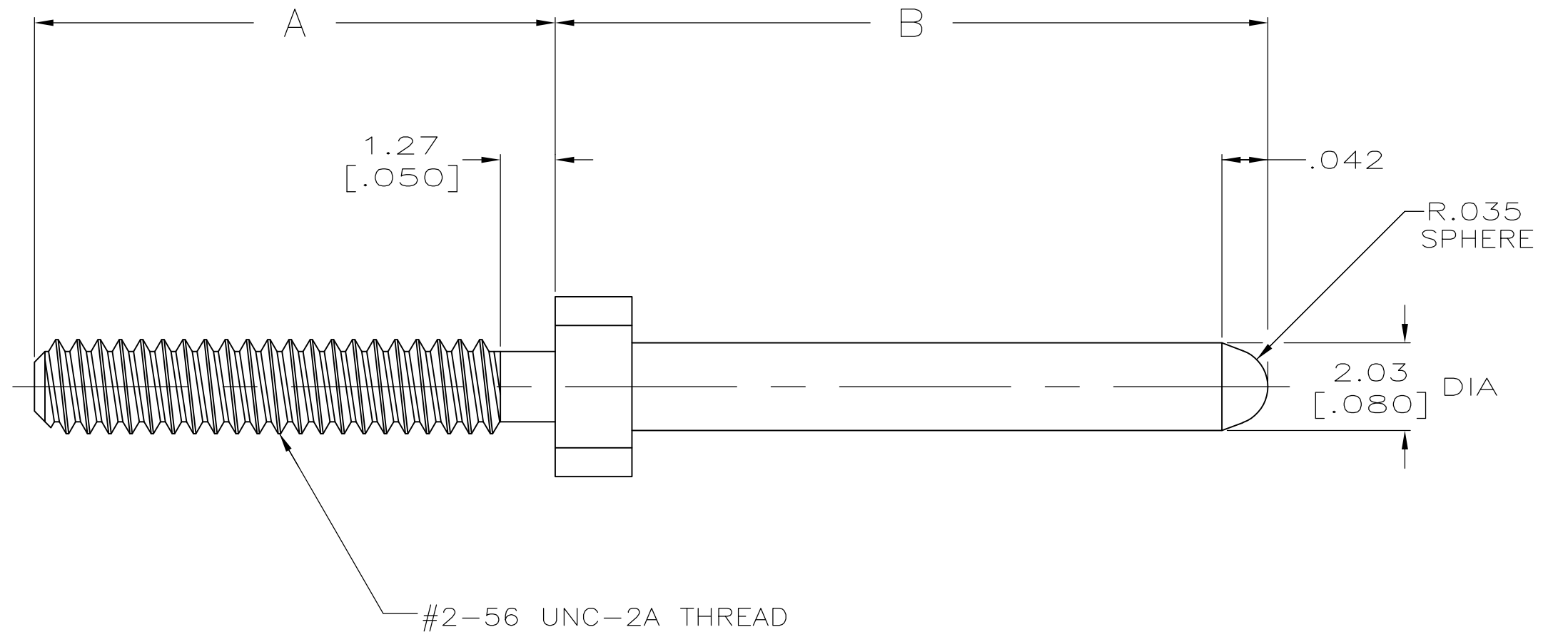
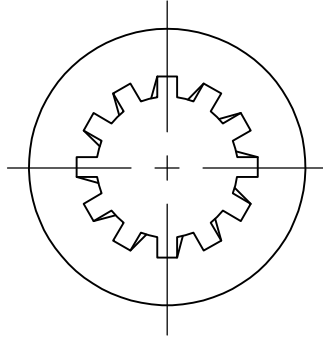
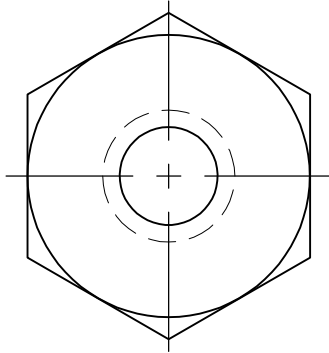


THIS DRAWING IS UNPUBLISHED. RELEASED FOR PUBLICATION
 © COPYRIGHT - By - ALL RIGHTS RESERVED.

LOC	DIST	REVISIONS			
P	LTR	DESCRIPTION	DATE	DWN	APVD
AD	00	K2	ECO-14-006324 & 953794.1	29APR2014	BC AS



	16.51 [.650]	6.73 [.265]	532808-7
3	16.51 [.650]	25.40 [1.000]	532808-6
3	16.51 [.650]	9.40 [.370]	532808-5
3	16.51 [.650]	15.49 [.610]	532808-4
3	16.51 [.650]	19.05 [.750]	532808-3
3	16.51 [.650]	14.27 [.562]	532808-2
	16.51 [.650]	12.06 [.475]	532808-1
	B	A	PART NUMBER

- 1 MATERIAL: STAINLESS STEEL
- 2 FINISH: PASSIVATED
- 3 OBSOLETE

THIS DRAWING IS A CONTROLLED DOCUMENT.		DWN	R.K. SEIFRIED	6-1-90	TE Connectivity HDI, GUIDE PIN KIT					
DIMENSIONS:		CHK	G. SKIPPER	12-15-93				NAME		
mm [INCHES]		APVD	G. SKIPPER	12-15-93				PRODUCT SPEC		
TOLERANCES UNLESS OTHERWISE SPECIFIED:		APPLICATION SPEC						RESTRICTED TO		
0 PLC ± -		WEIGHT			SIZE	CAGE CODE	DRAWING NO	REV		
1 PLC ± -		MATERIAL			A2	00779	C=532808			
2 PLC ± -		FINISH			SCALE			SHEET		
3 PLC ± 0.13 [.005]		CUSTOMER DRAWING			8:1					
4 PLC ± -					1 of 1			K2		
ANGLES ± -										

单击下面可查看定价，库存，交付和生命周期等信息

[>>TE Connectivity\(泰科\)](#)