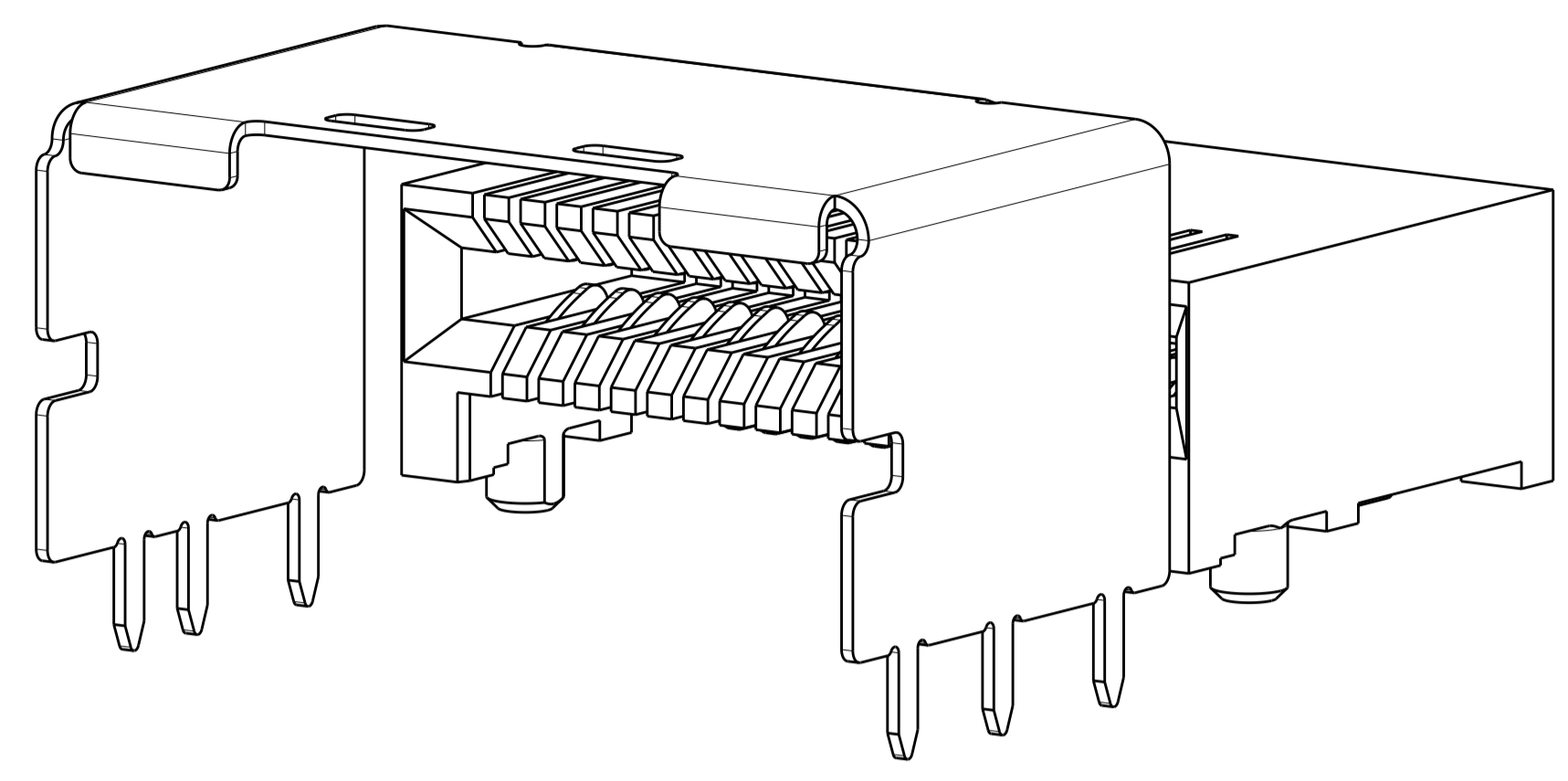
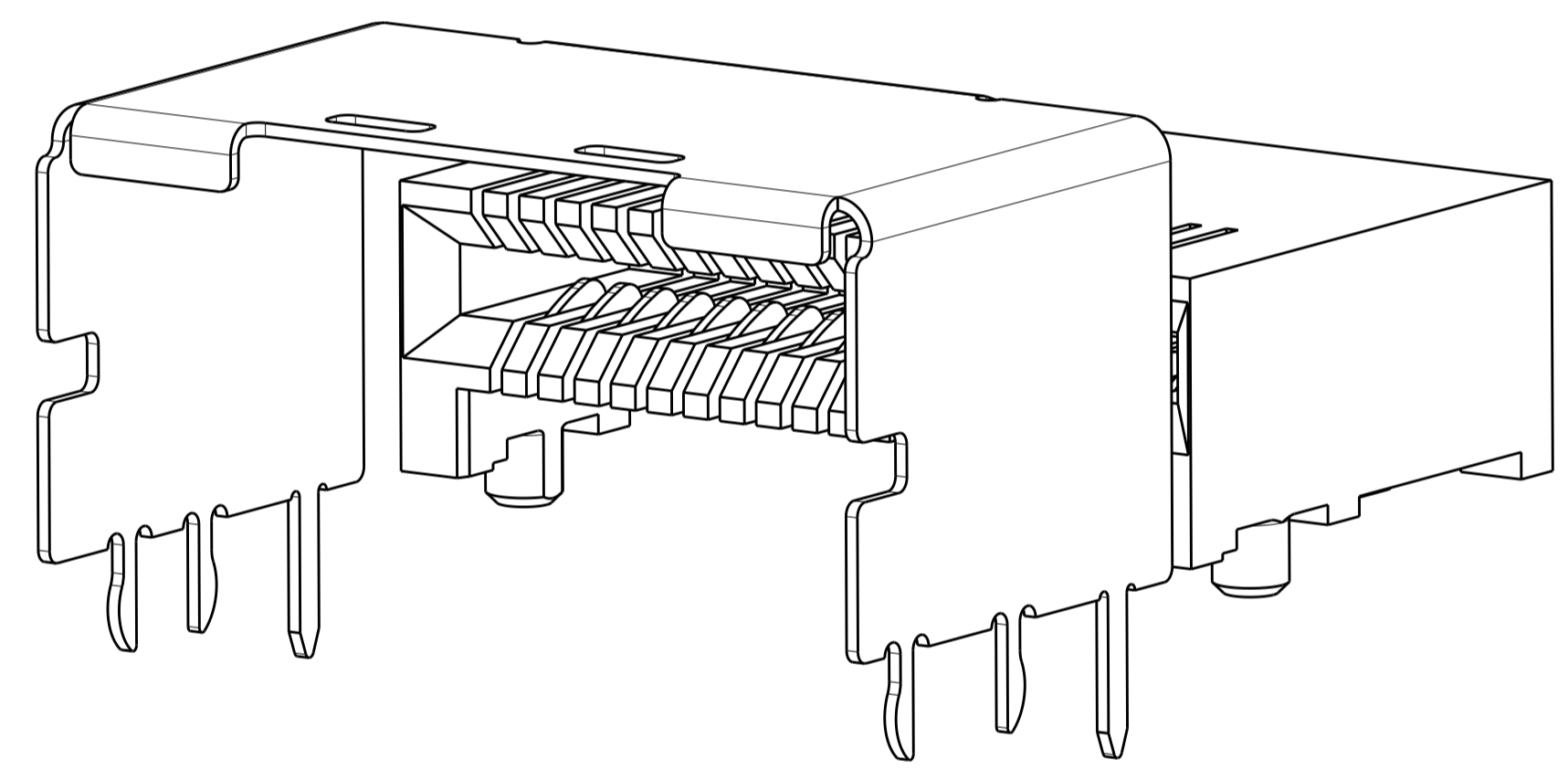


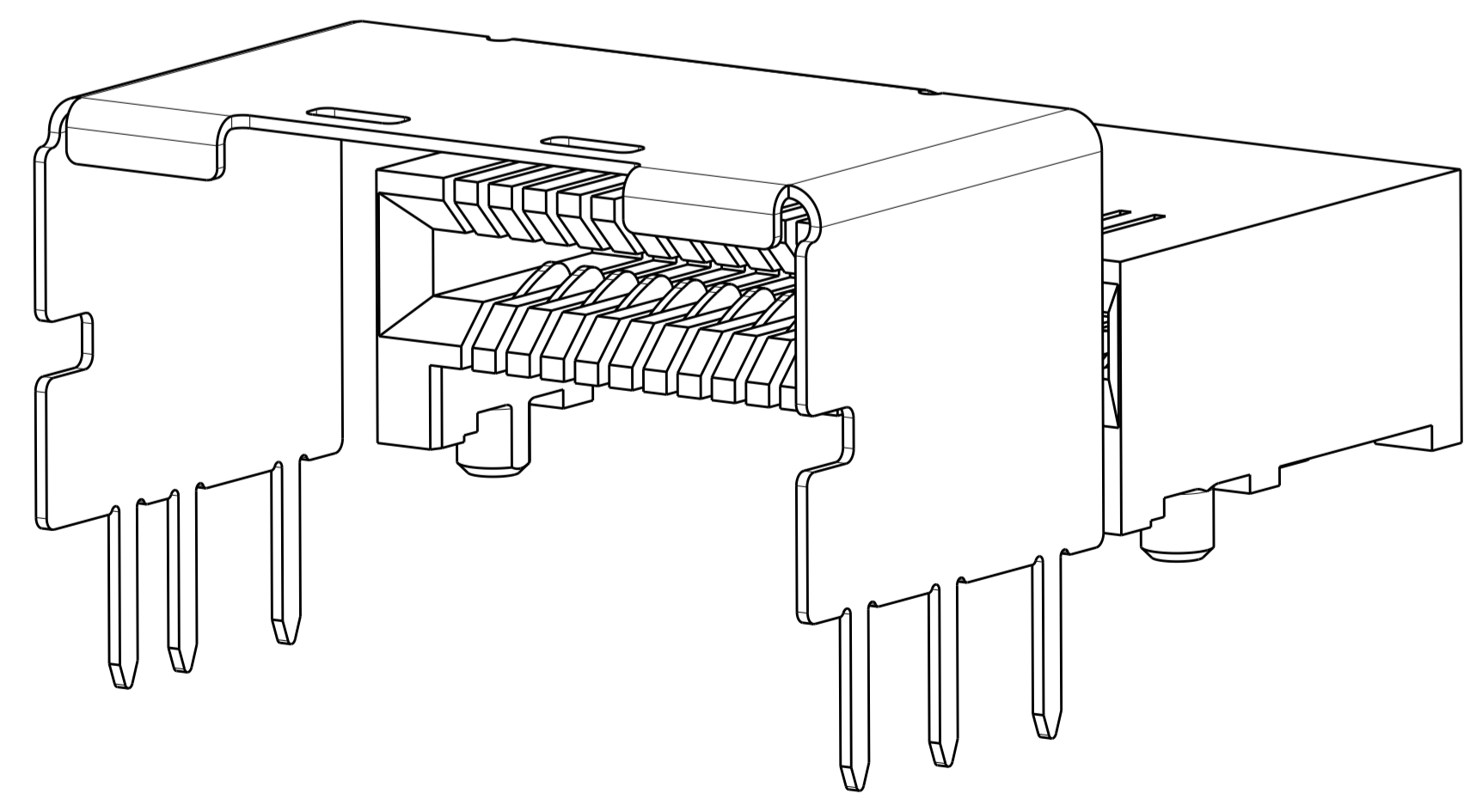
LOC		DIST		REVISONS			
P	LTN	DESCRIPTION	DATE	DWN	APVD		
B2		REVISED PER ECO-11-004835	11MAR2011	RK	HMR		
B3		REVISED PER ECO-19-002570	26DEC2018	JY	SH		
B4		REVISED PER ECO-20-004397	26MAR2020	TX	DZ		



1888019-2
 SHOWN WITHOUT PICK AND PLACE DEVICE
 SCALE 8:1

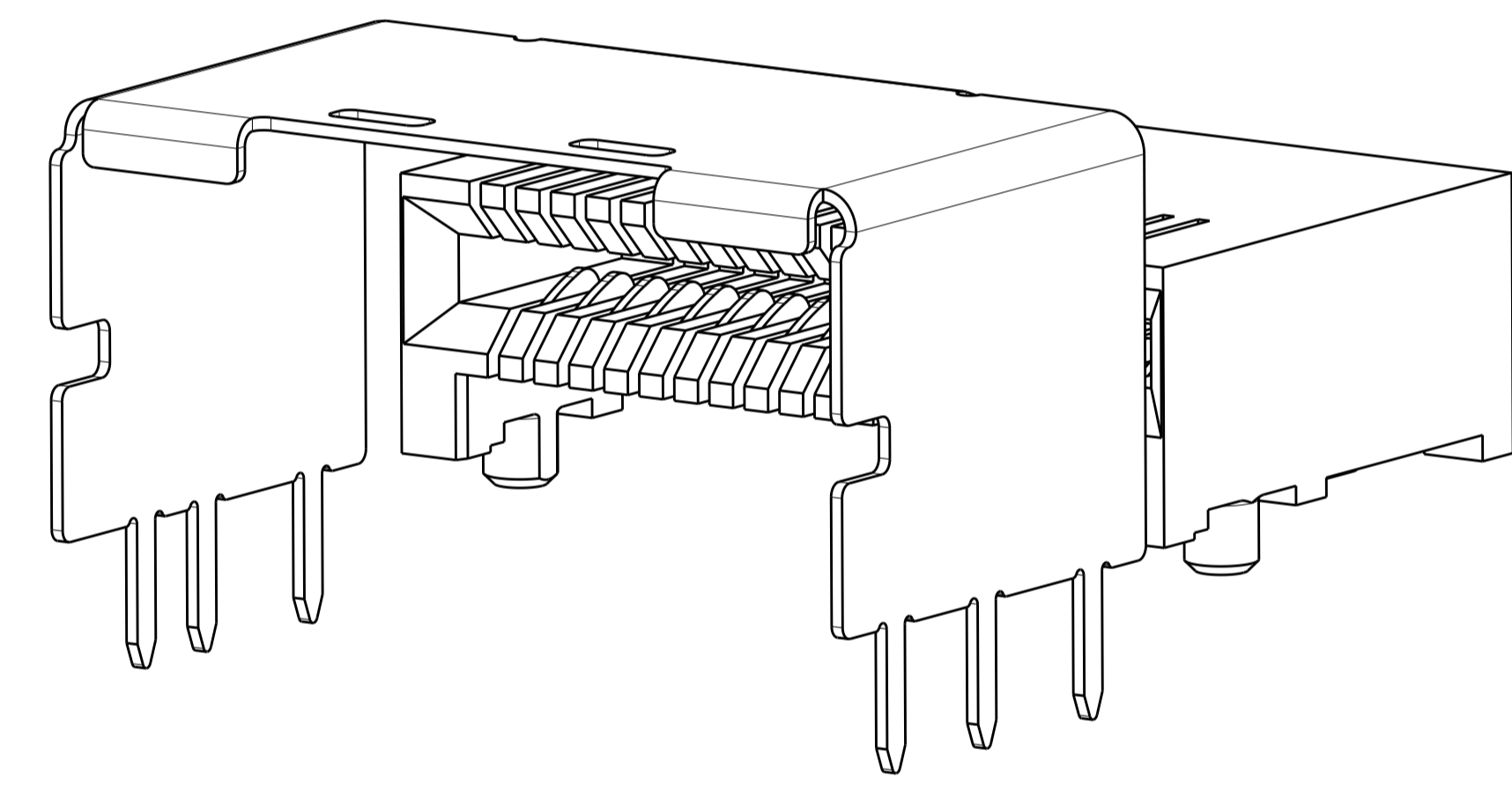


1888019-4
 SHOWN WITHOUT PICK AND PLACE DEVICE
 SCALE 8:1



1888019-8
 SHOWN WITHOUT PICK AND PLACE DEVICE
 SCALE 8:1

- 1 MATERIAL: LCP, BLACK, UL94 V0.
- 2 MATERIAL: PHOSPHOR BRONZE PER ASTM B 103.
- 3 FINISH: 0.76µm MIN GOLD PLATE PER ASTM B 488, APPLIES TO INTERFACE AREA AND 2.03µm MIN TIN PLATE SOLDER TAILS, ALL OVER 3.81µm MIN NICKEL PLATE PER QQ-N-290.
- 4 MATERIAL: NICKEL-SILVER PER ASTM B 122.
- 5 DATUM AND BASIC DIMENSION ESTABLISHED BY CUSTOMER.
- 6. REFER TO CUSTOMER DRAWING 1761987 FOR CONNECTOR DETAILS.
- 7. PACKAGED IN TAPE AND REEL PER EIA-481.
- 8 FINISH: 0.38µm MIN GOLD PLATE PER ASTM B 488, APPLIES TO INTERFACE AREA AND 2.03µm MIN TIN PLATE SOLDER TAILS, ALL OVER 3.81µm MIN NICKEL PLATE PER QQ-N-290.
- 9 CUSTOMIZED PACKAGE SPEC FOR 1-1888019-3 AND 1-1888019-4



1888019-6, 1-1888019-3 AND 1-1888019-4
 SHOWN WITHOUT PICK AND PLACE DEVICE
 SCALE 8:1

8	THRU HOLE	3.5	17.8	16	16	36	18.05	36	1-1888019-2
	THRU HOLE	2.8	17.8	16	16	36	18.05	36	1-1888019-1
	PRESS FIT	-	17.8	16	16	36	18.05	36	1-1888019-0
3	THRU HOLE	2	17.8	16	16	36	18.05	36	1888019-9
	THRU HOLE	2.8	17.8	16	16	36	18.05	36	1-1888019-4 9
	THRU HOLE	2.8	17.8	16	16	36	18.05	36	1-1888019-3 9
	THRU HOLE	3.5	17.8	16	16	36	18.05	36	1888019-8
	THRU HOLE	2.8	17.8	16	16	36	18.05	36	1888019-6
	PRESS FIT	-	17.8	16	16	36	18.05	36	1888019-4
	THRU HOLE	2	17.8	16	16	36	18.05	36	1888019-2
FINISH	SHELL TYPE	G	E	D	C	B	A	POSN	PART NUMBER

THIS DRAWING IS A CONTROLLED DOCUMENT. DWN M.E. CONNER 18JUL2005
 CHK R.R. HENRY 18JUL2005
 APVD R.R. HENRY 18JUL2005

STE TE Connectivity

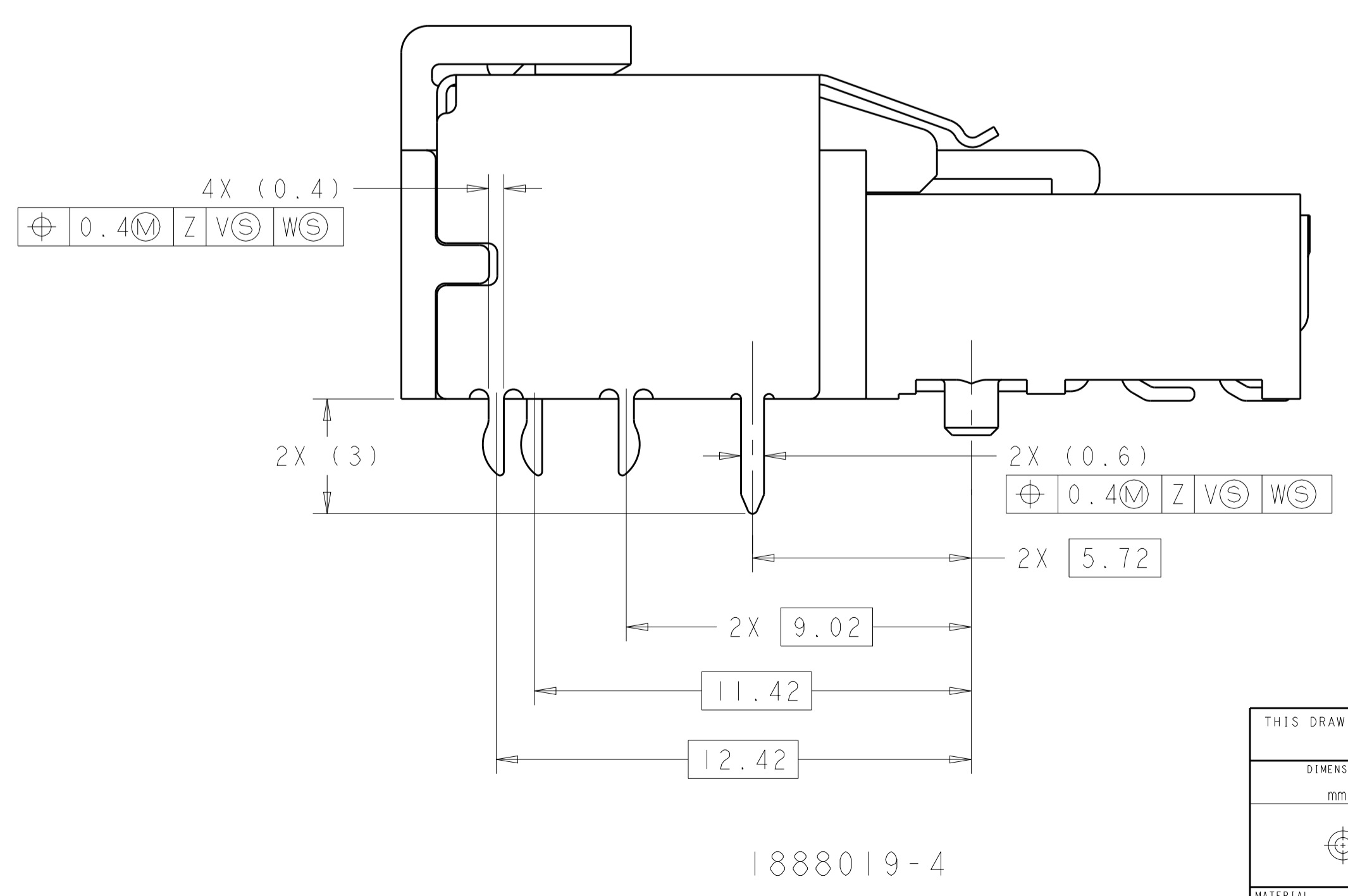
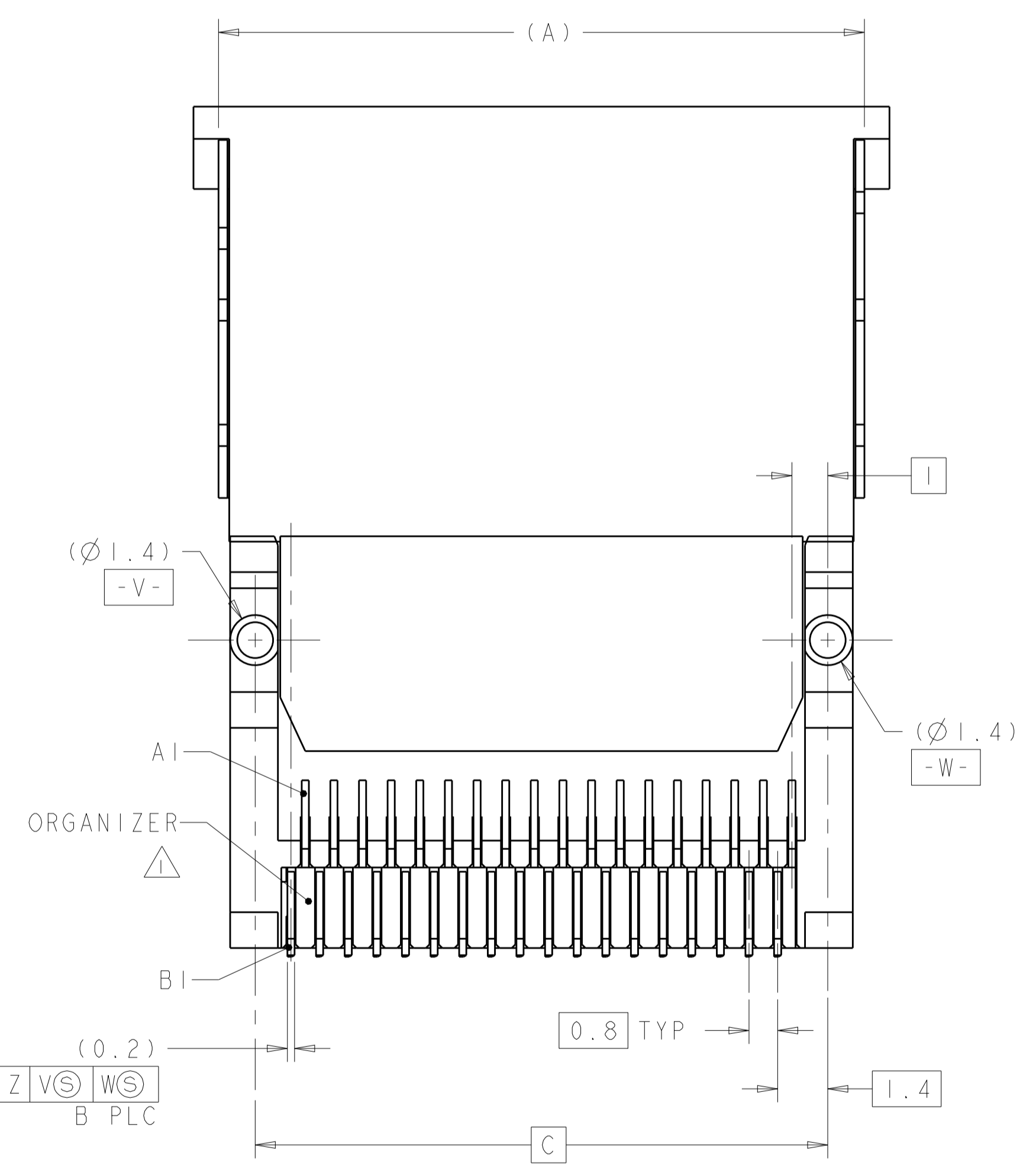
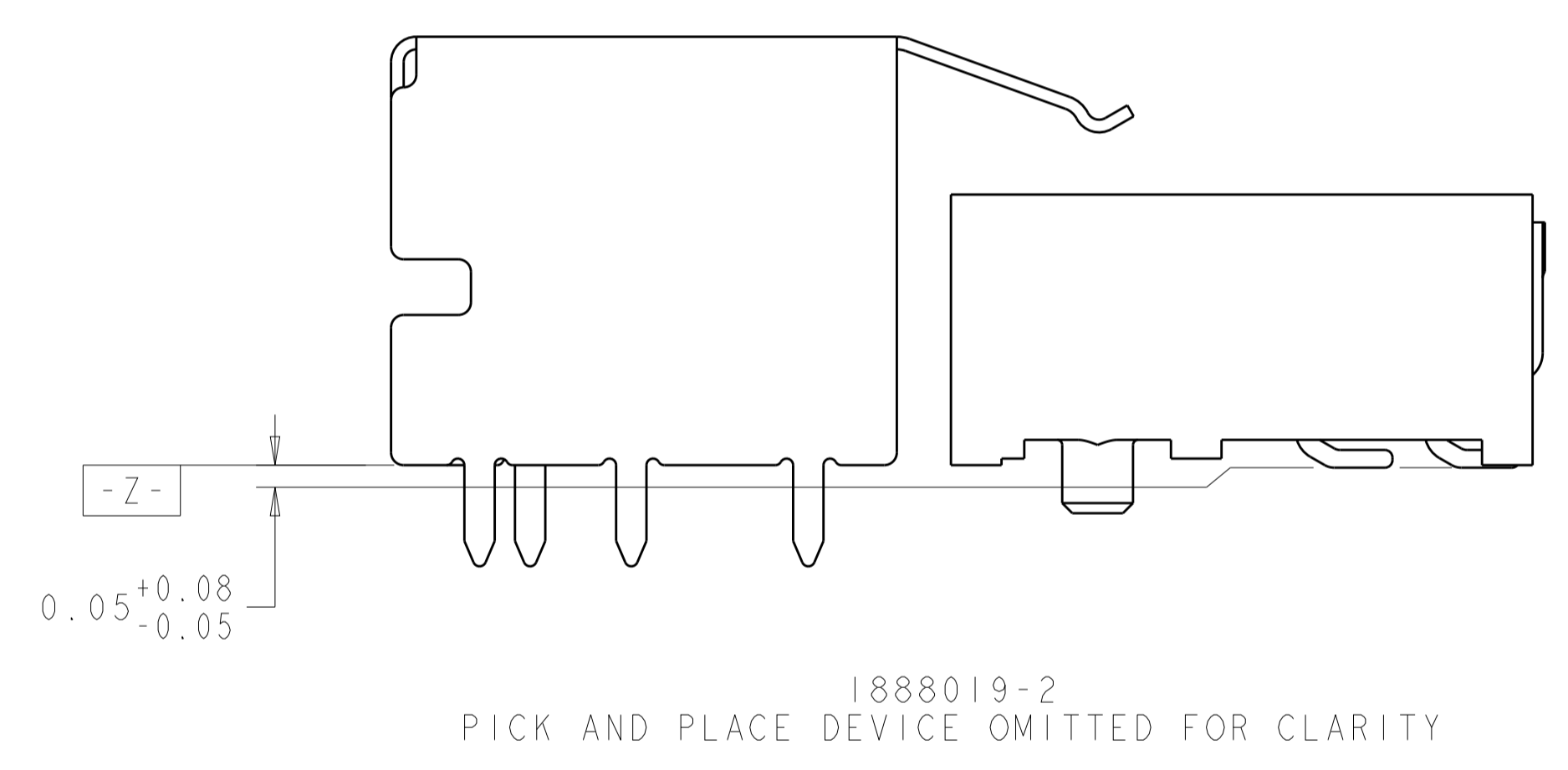
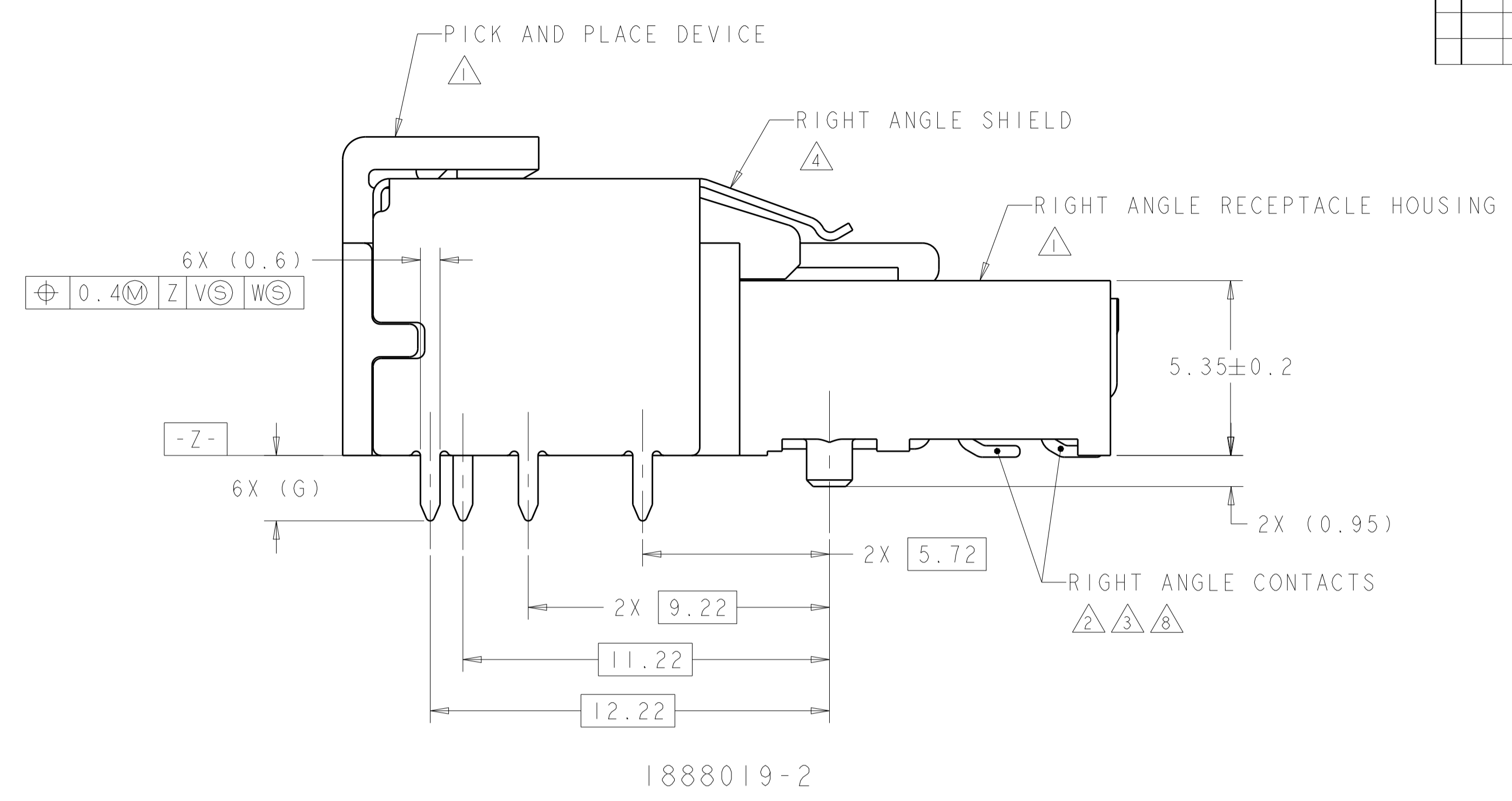
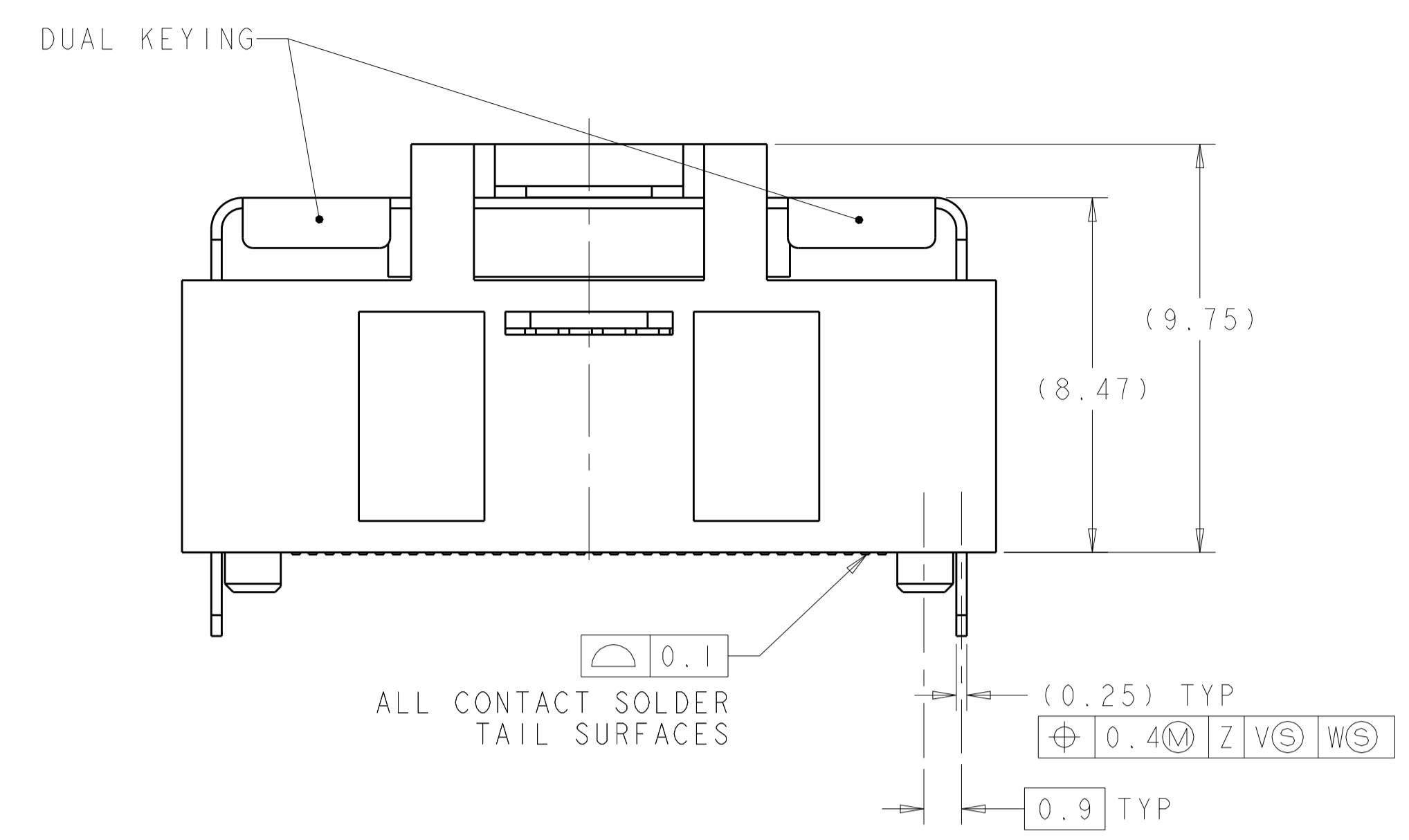
NAME EVERCLEAR Mini-SAS RIGHT ANGLE INTERNAL RECEPTACLE ASSEMBLY WITH DUAL KEYED SHELL

PRODUCT SPEC 108-2234
 APPLICATION SPEC

SIZE A1 CAGE CODE 00779 DRAWING NO. 1888019
 WEIGHT CUSTOMER DRAWING

SCALE 8:1 SHEET 1 OF 4 REV B4

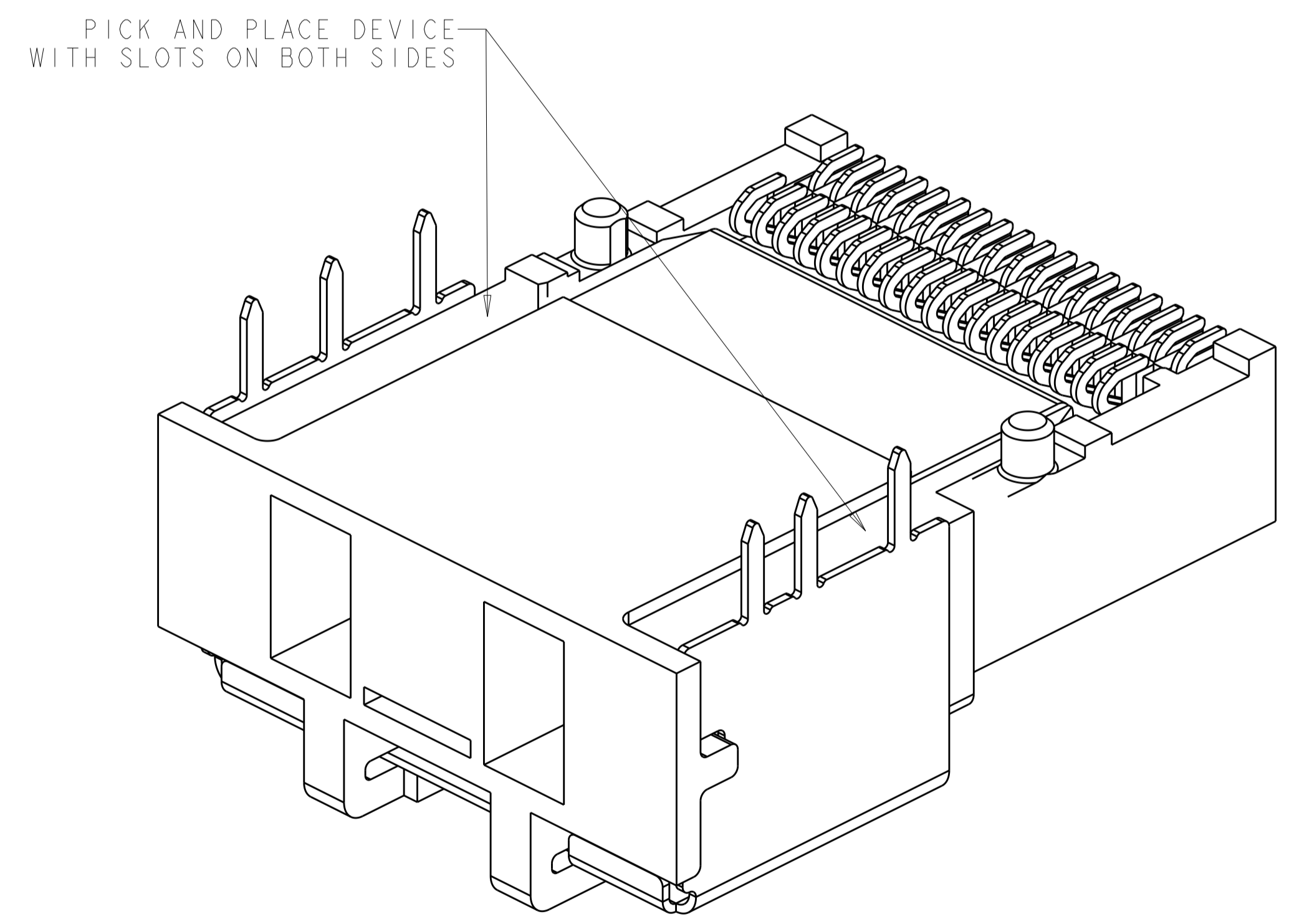
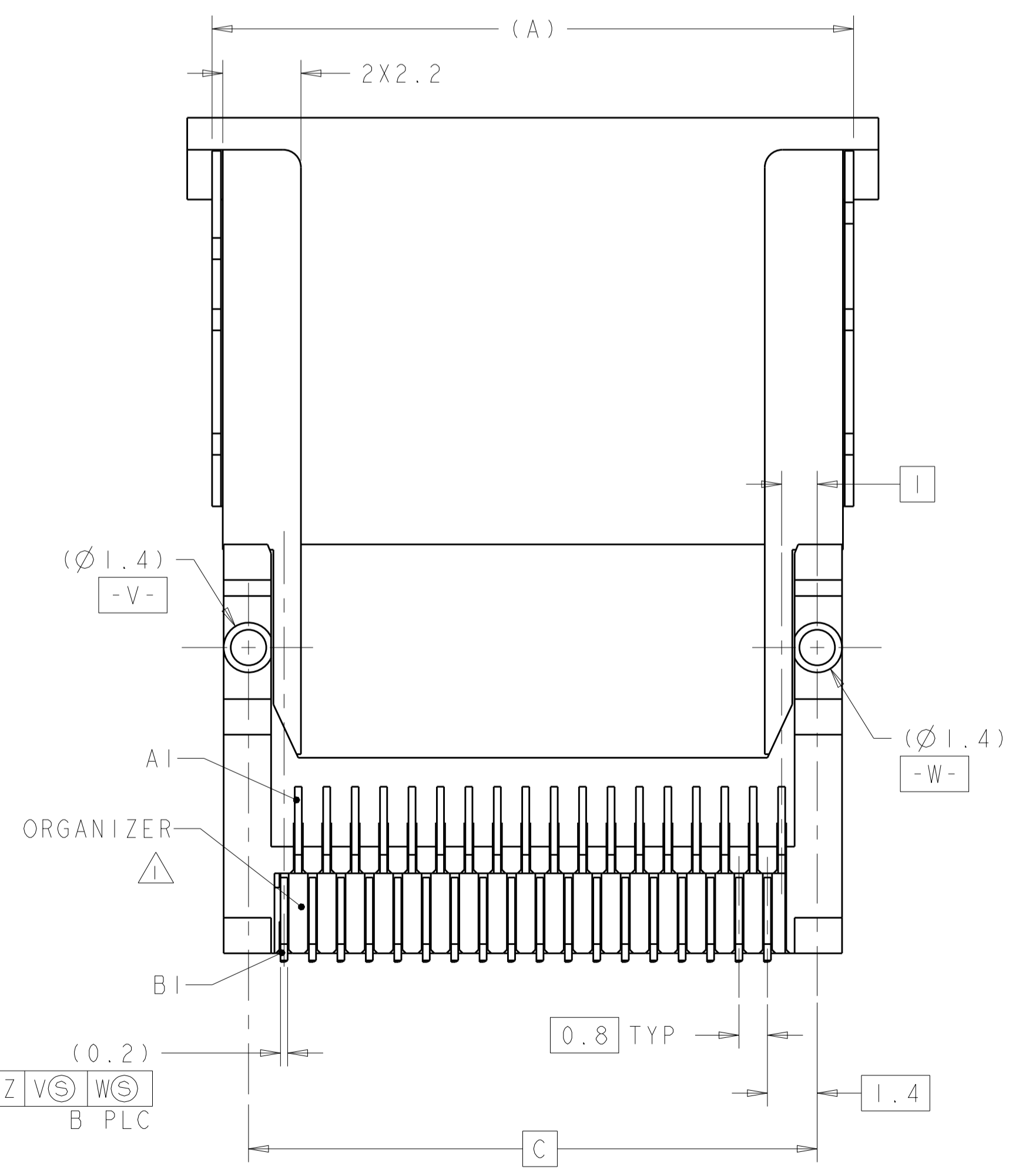
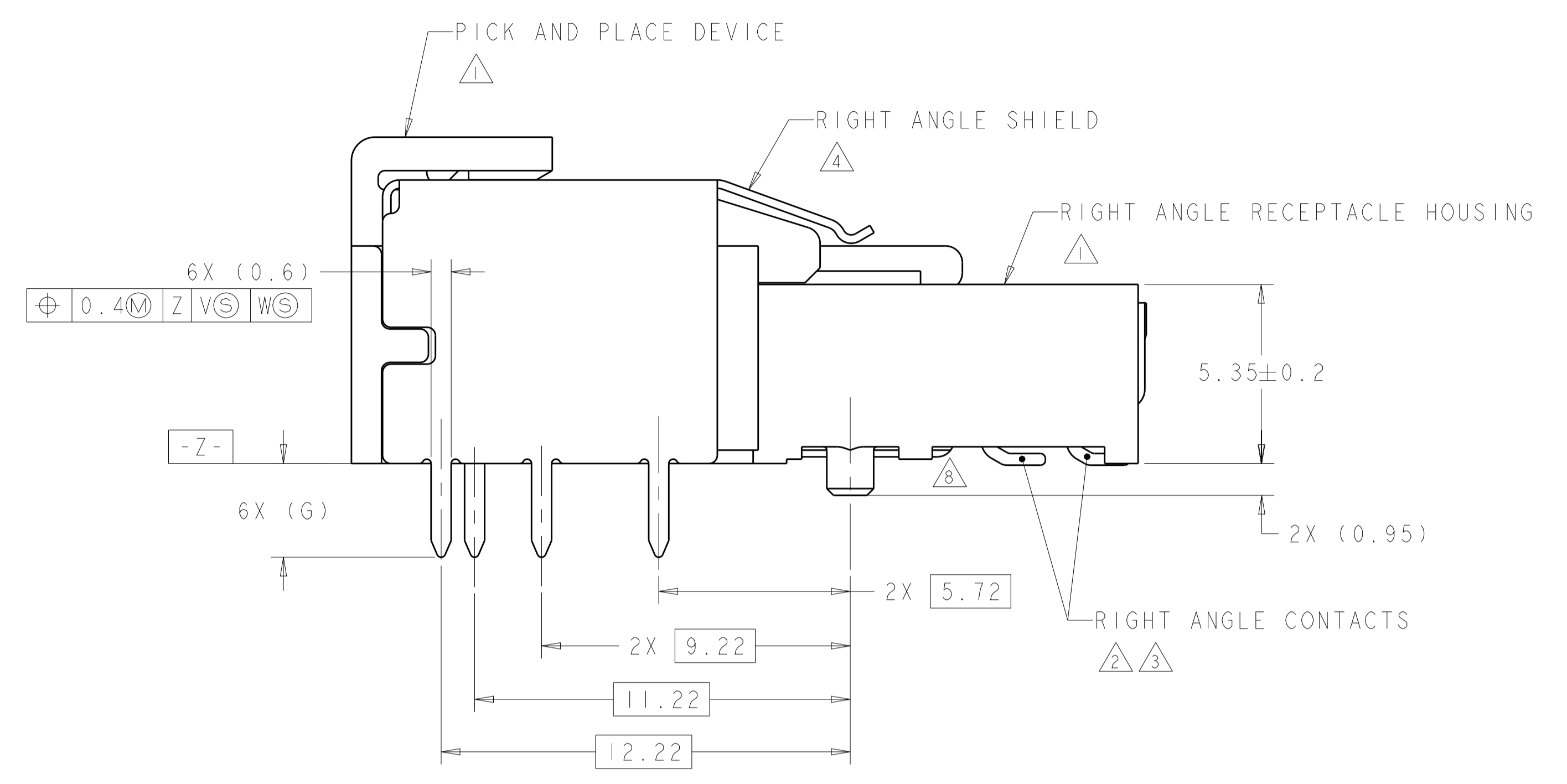
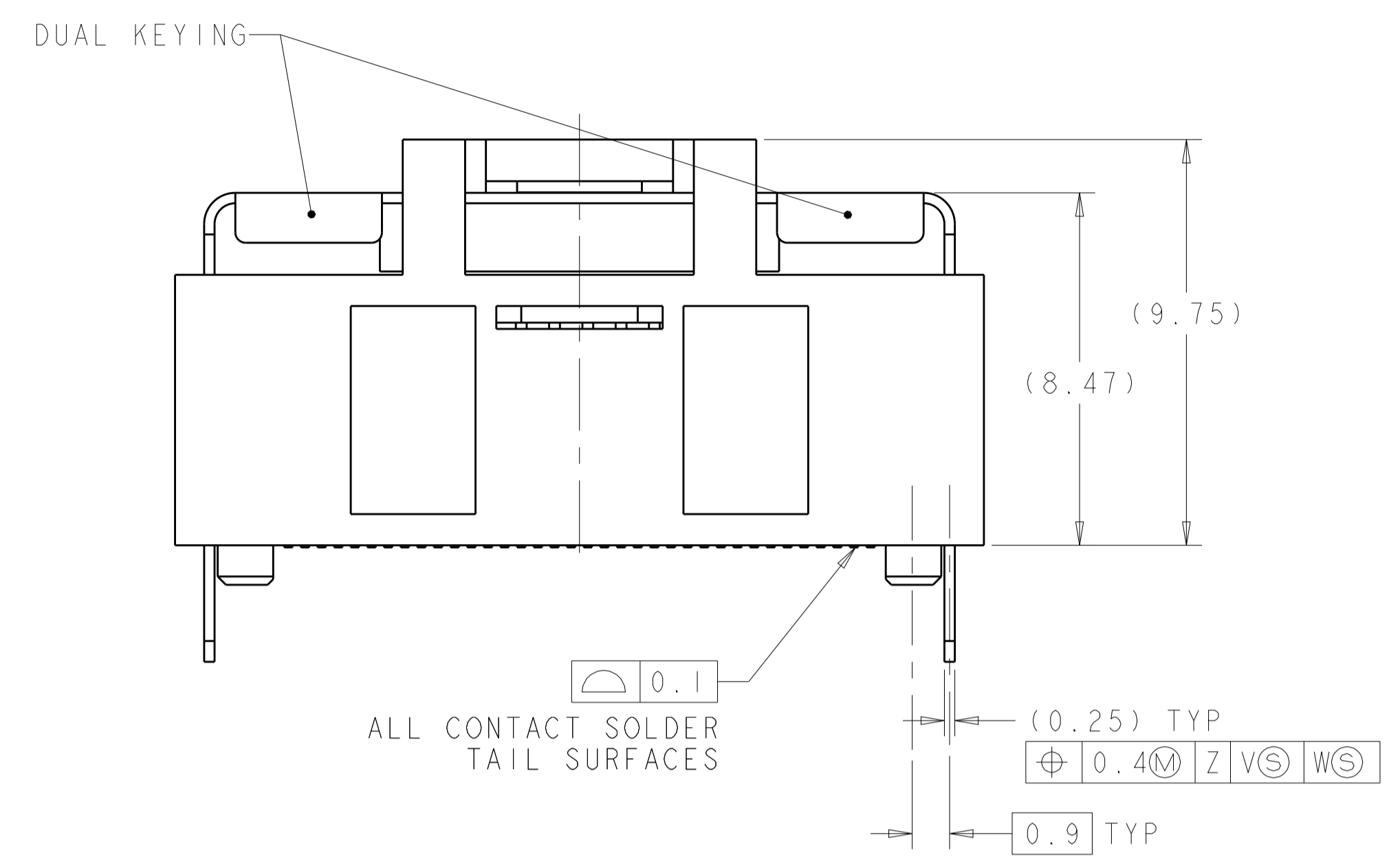
LOC	DIST	REVISIONS			
GP	00	REV	DATE	BY	APPD
		-	SEE SHEET 1		



THIS DRAWING IS A CONTROLLED DOCUMENT.		OWN: M.E. CONNER 18JUL2005	 TE Connectivity
DIMENSIONS: mm		CHK: R.R. HENRY 18JUL2005	
TOLERANCES UNLESS OTHERWISE SPECIFIED:		APPD: R.R. HENRY 18JUL2005	
0 PLC ± 1 PLC ± 2 PLC ± 3 PLC ± 4 PLC ± ANGLES ±		NAME: EVERCLEAR Mini-SAS RIGHT ANGLE INTERNAL RECEPTACLE ASSEMBLY WITH DUAL KEYED SHELL	
MATERIAL: SEE NOTES		FINISH: SEE TABLE	RESTRICTED TO: A100779C=1888019
CUSTOMER DRAWING		SCALE: 8:1	SHEET 2 OF 4 REV B4

LOC	DIST	REV	DATE	BY	APPV
GP	00				
REVISIONS			DATE	BY	APPV
DESCRIPTION					
SEE SHEET 1					

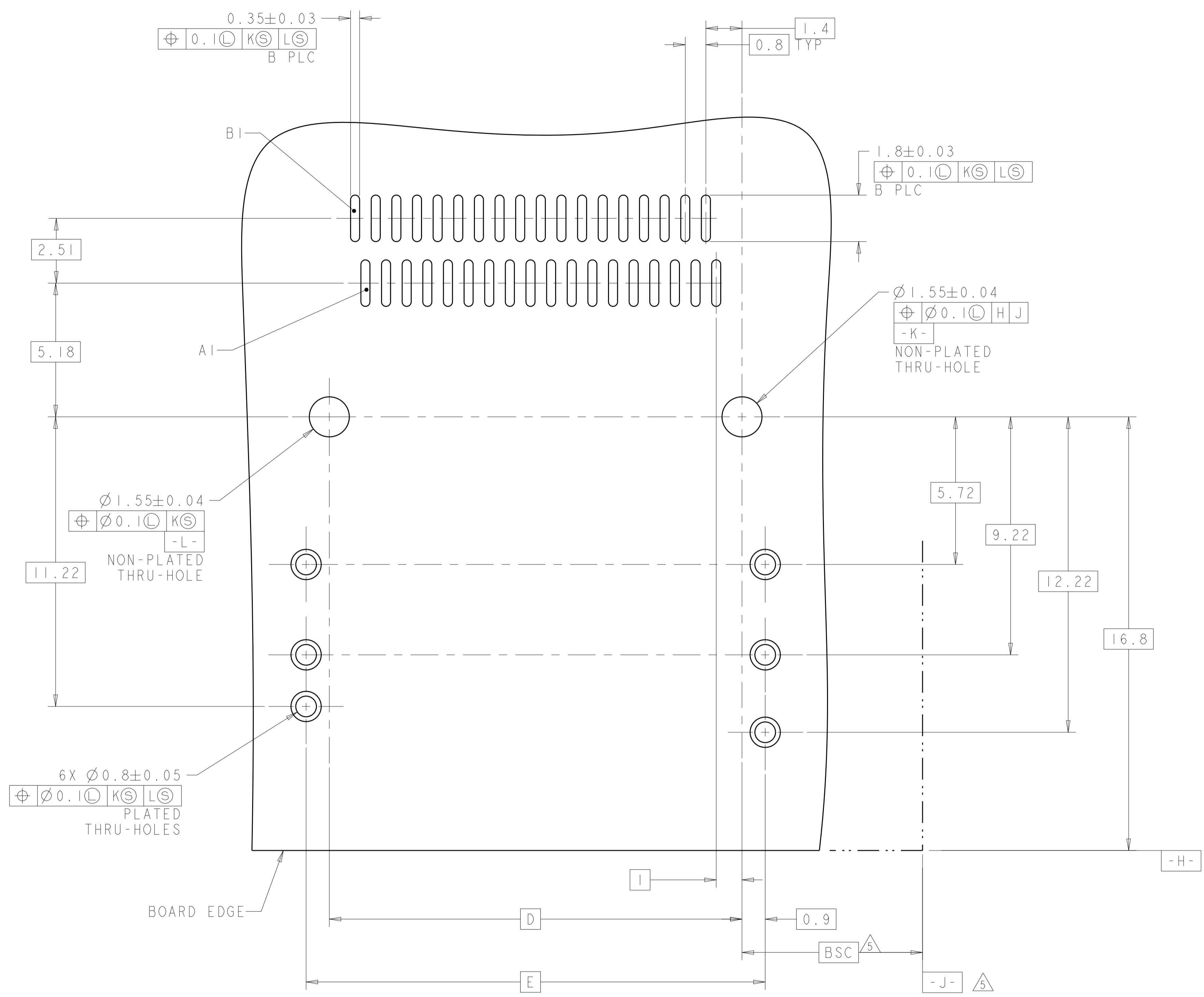
1-1888019-4 AS SHOWN



1-1888019-4
 SCALE 8:1

THIS DRAWING IS A CONTROLLED DOCUMENT.		OWN: M. E. CONNER 18JUL2005	TE Connectivity NAME: EVERCLEAR Mini-SAS RIGHT ANGLE INTERNAL RECEPTACLE ASSEMBLY WITH DUAL KEYED SHELL PRODUCT SPEC: 108-2234 APPLICATION SPEC:
DIMENSIONS: mm		CHK: R. R. HENRY 18JUL2005	
TOLERANCES UNLESS OTHERWISE SPECIFIED:		APPV: R. R. HENRY 18JUL2005	
0 PLC ± 1 PLC ± 2 PLC ± 3 PLC ± 4 PLC ± ANGLES ±		RESTRICTED TO:	
MATERIAL: SEE NOTES		FINISH: SEE TABLE	WEIGHT: A100779C=1888019
CUSTOMER DRAWING		SCALE: 8:1	SHEET 3 OF 4 REV B4

LOC	DIST	REVISIONS			
GP	00	REV	DATE	BY	APPV
		-	SEE SHEET 1	-	-



RECOMMENDED PCB LAYOUT
 SCALE 10:1

THIS DRAWING IS A CONTROLLED DOCUMENT.		OWN M. E. CONNER 18 JUL 2005	TE Connectivity
DIMENSIONS: mm		CHK R. R. HENRY 18 JUL 2005	
		APVD R. R. HENRY 18 JUL 2005	NAME EVERCLEAR Mini-SAS RIGHT ANGLE INTERNAL RECEPTACLE ASSEMBLY WITH DUAL KEYED SHELL
TOLERANCES UNLESS OTHERWISE SPECIFIED:		PRODUCT SPEC 108-2234	SIZE A100779C=1888019
MATERIAL SEE NOTES		APPLICATION SPEC	RESTRICTED TO
FINISH SEE TABLE		WEIGHT	SCALE 8:1 SHEET 4 OF 4 REV B4
		CUSTOMER DRAWING	

单击下面可查看定价，库存，交付和生命周期等信息

[>>TE Connectivity\(泰科\)](#)