

REVISIONS					
P	LTR	DESCRIPTION	DATE	DWN	APVD
	A5	REVISED PER ECR-17-014412	04APR2018	GCM	MKO

OBSOLETE	1-1106060-6
	1106060-6
	1106060-7
	2-1106060-6
	2-1106060-7
	3-1106060-6
	3-1106060-7
	4-1106060-6
	5-1106060-6
	6-1106060-6
	7-1106060-6
	8-1106060-6


SUPERSEDED BY T3071292101-000	1-1106060-7
SUPERSEDED BY T3071131101-000	9-1106060-6
TE PART NUMBER	

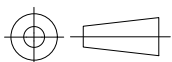
RELEASED FOR PUBLICATION

ALL RIGHTS RESERVED.

THIS DRAWING IS UNPUBLISHED.

© COPYRIGHT - TE Connectivity Ltd.

DIMENSIONS: mm TOLERANCES UNLESS OTHERWISE SPECIFIED: 0 PLC ± - 1 PLC ± - 2 PLC ± - 3 PLC ± - 4 PLC ± - ANGLES ± -	DWN GANESH.CM 04APR2018	MATERIAL -	FINISH -
	CHK M. KOMAR 04APR2018	 TE Connectivity Ltd.	
APVD M. KOMAR 04APR2018	NAME REDU reducing piece		
PRODUCT SPEC -	SIZE A4	CAGE CODE 00779	DRAWING NO C-1106060
APPLICATION SPEC -	RESTRICTED TO -		WEIGHT
CUSTOMER DRAWING		SCALE 1:1	SHEET 1 OF 1
		REV A5	



单击下面可查看定价，库存，交付和生命周期等信息

[>>TE Connectivity\(泰科\)](#)