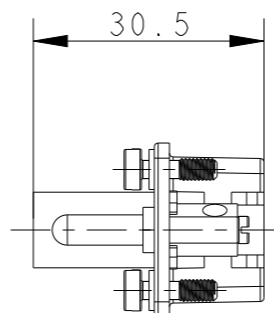
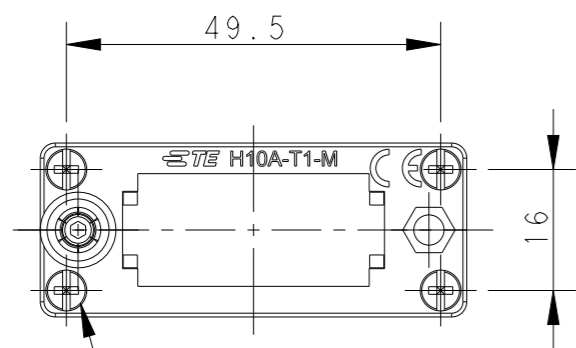


REVISIONS

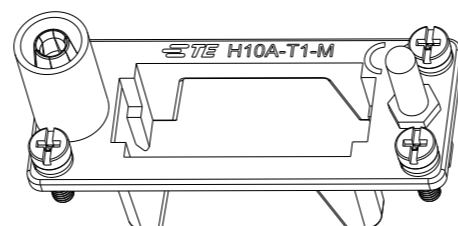
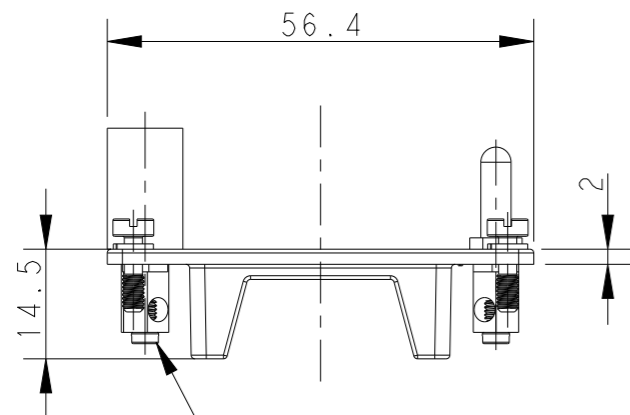
P	LTR	DESCRIPTION	DATE	DWN	APVD
	A	INITIAL	17OCT2016	BS	CW
	A1	ECR-17-012981	06SEP2017	BS	CW
	B	ECR-21-122216	09DEC2021	WQR	CW



4X M3 SCREW
RECOMMENDED TIGHTENING TORQUE 0.5Nm
4X M3 螺丝
推荐力矩0.5Nm

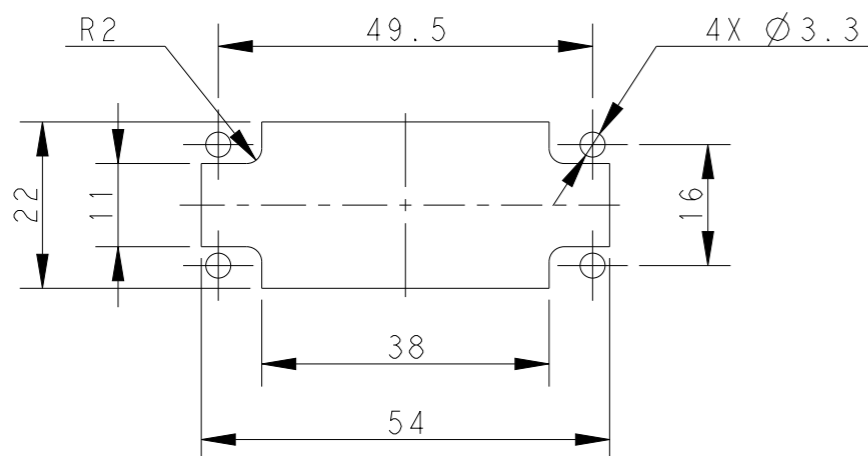
NOTES:
1. TECHNICAL CHARACTERISTICS:
FRAME MATERIAL: DIE CAST ZINC ALLOY
NUMBER OF MODULES: 1
SURFACE: SEE TABLE
MATING CYCLES: 500 CYCLES

注释:
1. 技术参数:
框架材料: 锌合金
模块数量: 1
表面处理: 见表格
插拔次数: 500次



2X M3 SCREW
RECOMMENDED TIGHTENING TORQUE 0.5Nm
2X M3 螺丝
推荐力矩0.5Nm

PANEL CUT FOR FRAME USE WITHOUT HOODS/ HOUSINGS
不使用防护外壳时框架的安装开孔图



PART NUMBER 料号	PART DESCRIPTION 描述
T2079104101-000	H10A-T1-M H10A MALE MODULE FRAME, ZINC PLATED H10A模块公框架, 镀锌
T2079104201-000	H10A-T1-F H10A FEMALE MODULE FRAME, ZINC PLATED H10A模块母框架, 镀锌
T2079104101-001	H10A-T1-M H10A MALE MODULE FRAME, NICKEL PLATED H10A模块公框架, 镀镍
T2079104201-001	H10A-T1-F H10A FEMALE MODULE FRAME, NICKEL PLATED H10A模块母框架, 镀镍

THIS DRAWING IS A CONTROLLED DOCUMENT.		DWN BELL SU 17OCT2016	STE TE Connectivity	
		CHK KYLE ZENG 17OCT2016		
DIMENSIONS: mm		APVD CHRIS WANG 17OCT2016	NAME H10A-T1	
TOLERANCES UNLESS OTHERWISE SPECIFIED:		PRODUCT SPEC -	RESTRICTED TO	
0 PLC ±-		APPLICATION SPEC -	SIZE A3	CAGE CODE -
1 PLC ±-		WEIGHT -	DRAWING NO. ©-T2079104X01000	
2 PLC ±-		CUSTOMER DRAWING	SCALE 1:1	SHEET 1 OF 2
3 PLC ±-			REV B	
4 PLC ±-				
ANGLES ±-				
FINISH -				
MATERIAL -				

THIS DRAWING IS UNPUBLISHED.

RELEASED FOR PUBLICATION

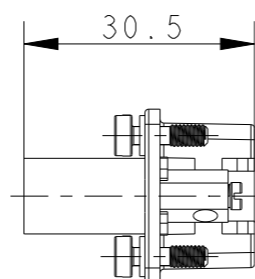
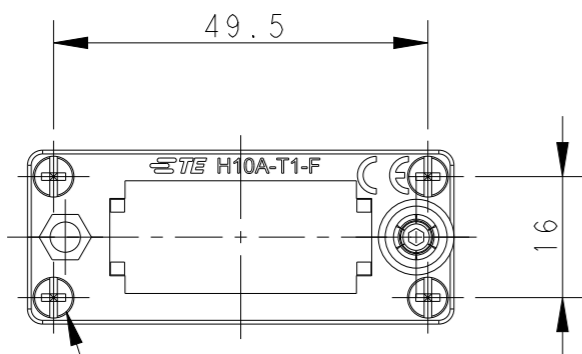
20

© COPYRIGHT 20 BY -

ALL RIGHTS RESERVED.

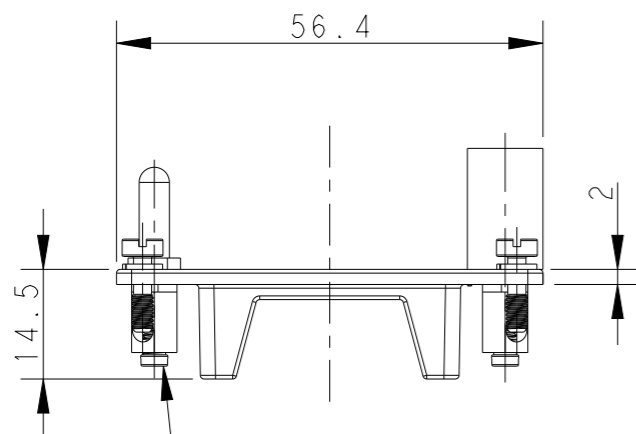
REVISIONS

P	LTR	DESCRIPTION	DATE	DWN	APVD
		SEE SHEET 1			

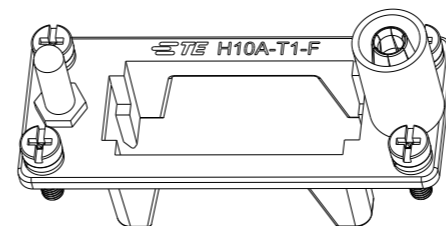




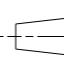
NOTES:
SEE SHEET 1

4X M3 SCREW
RECOMMENDED TIGHTENING TORQUE 0.5Nm
4X M3 螺丝
推荐力矩0.5Nm



2X M3 SCREW
RECOMMENDED TIGHTENING TORQUE 0.5Nm
2X M3 螺丝
推荐力矩0.5Nm



THIS DRAWING IS A CONTROLLED DOCUMENT.		DWN BELL SU 17OCT2016	 TE Connectivity				
DIMENSIONS: mm		CHK KYLE ZENG 17OCT2016					
TOLERANCES UNLESS OTHERWISE SPECIFIED:		APVD CHRIS WANG 17OCT2016	NAME H10A-T1				
 		PRODUCT SPEC -	APPLICATION SPEC -				
MATERIAL -		FINISH -	WEIGHT -	SIZE A3	CAGE CODE -	DRAWING NO C-T2079104X01000	RESTRICTED TO
				SCALE 1:1	SHEET 2 OF 2	REV B	

单击下面可查看定价，库存，交付和生命周期等信息

[>>TE Connectivity\(泰科\)](#)