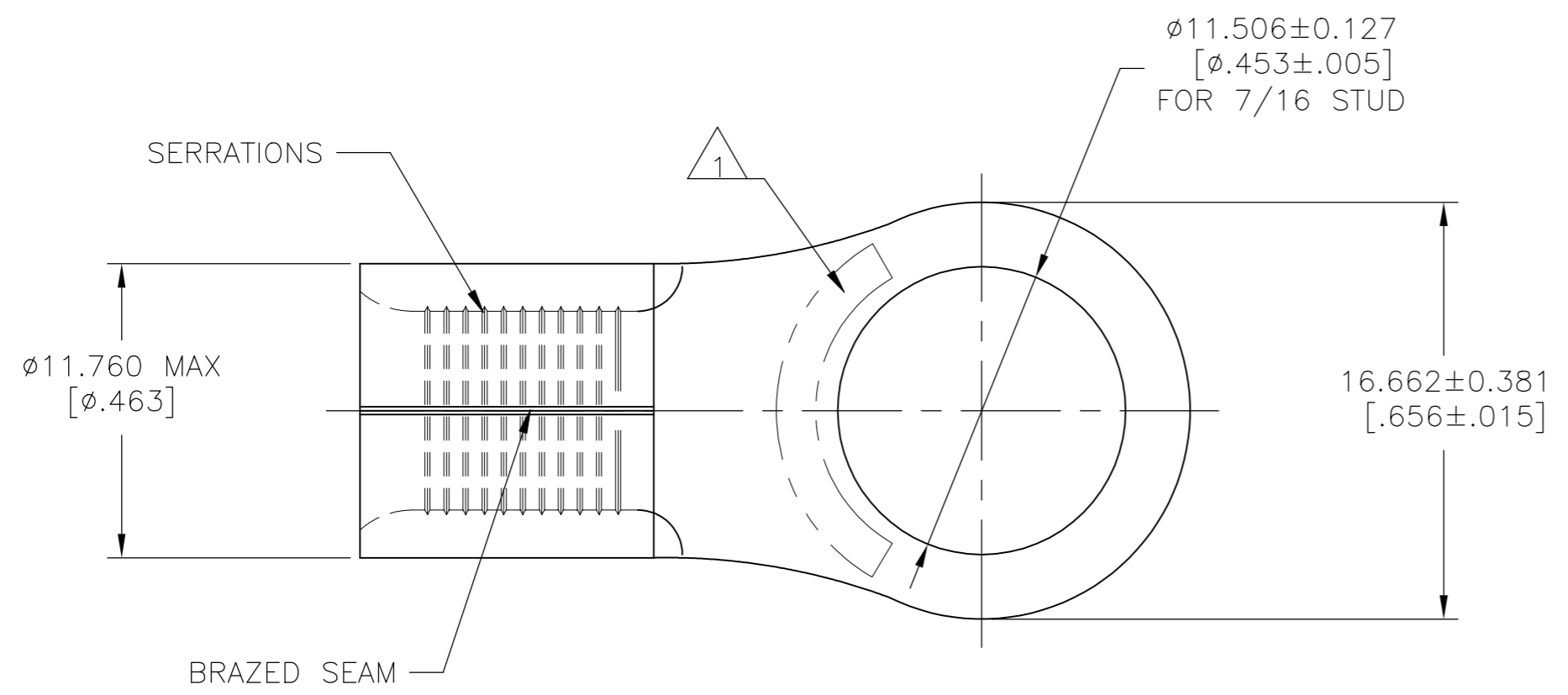


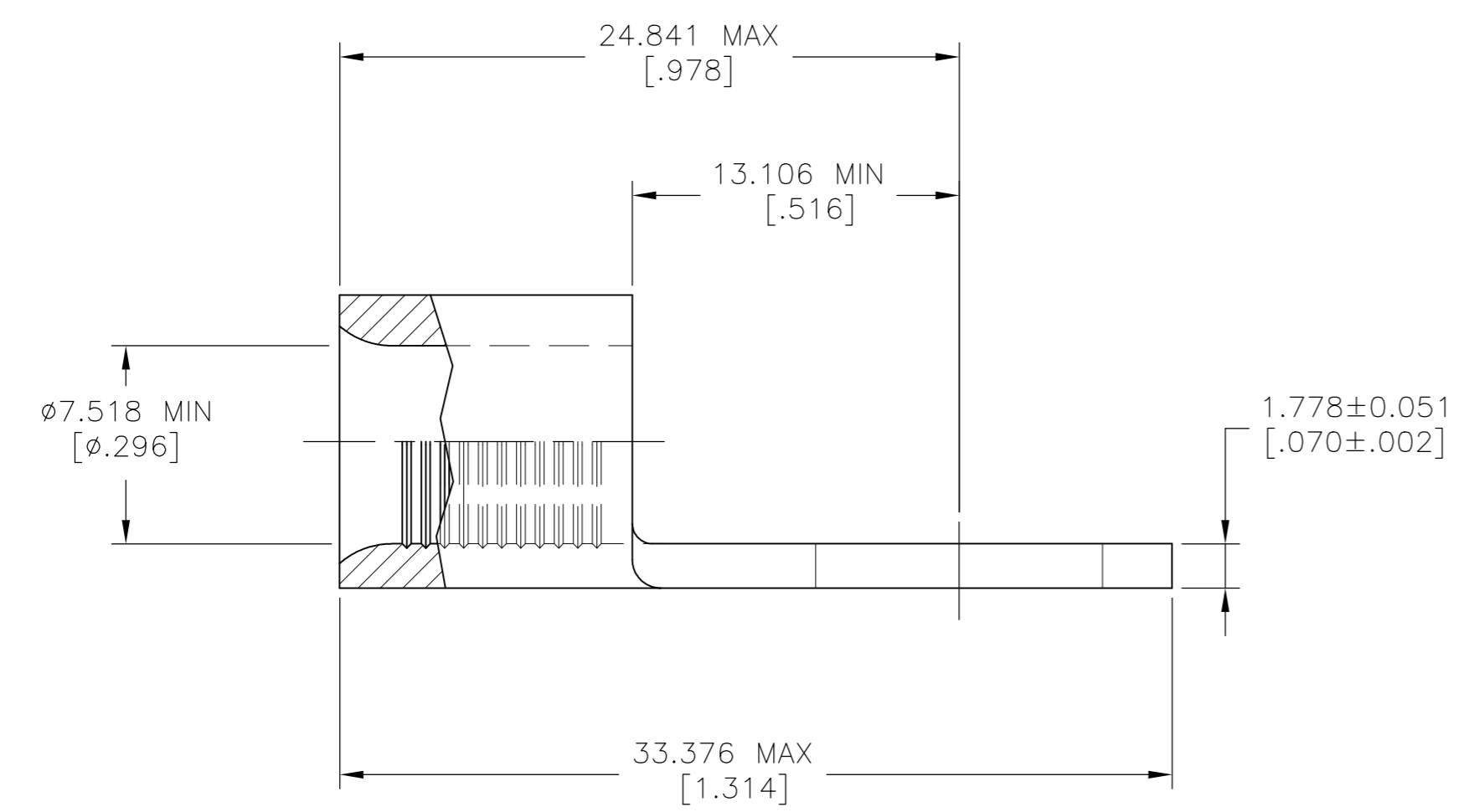
THIS DRAWING IS UNPUBLISHED. RELEASED FOR PUBLICATION
 © COPYRIGHT - TE Connectivity Ltd. ALL RIGHTS RESERVED.

REVISIONS					
P	LTR	DESCRIPTION	DATE	DWN	APVD
F		REVISED PER ECR-09-020122	24SEP09	HMR	TM
F1		REVISED PER ECO-17-008806	16FEB2018	RS	DR



AMP WIRE RANGE	UL Listed FILE E13288	LR7189 Certified
4 AWG SOLID OR STRANDED	4 AWG STRANDED	4 AWG SOLID OR STRANDED

- 1 STAMP AMP 4* APPROX AS SHOWN
- 2 TIN PLATE 0.00254 [.000100] MIN THK PER ASTM B-545
- 3 NOTE DELETED
- 4 COPPER PER ASTM B-152, ANNEALED
- 5 NOTE DELETED



100	LOOSE PIECE	2	320743
QTY	PACKAGE TYPE	FINISH	PART NO.

AMP INCORPORATED CUSTOMER SERVICE SYSTEMS		THIS DRAWING IS A CONTROLLED DOCUMENT.		DWN TA BRINKMAN 3-29-93		TE Connectivity Ltd.	
FOR ADDITIONAL PRODUCT INFORMATION OR COPIES OF DRAWINGS AND TECHNICAL DOCUMENTS	PRODUCT INFORMATION CENTER 1-800-522-6752	MAX RECOMMENDED OPERATING TEMPERATURE: 170°C [338°F] MAX	DIMENSIONS: mm [INCHES]	TOLERANCES UNLESS OTHERWISE SPECIFIED:	CHK DA PATTERSON 3-29-93	NAME	
FOR APPLICATION TOOLING INFORMATION	TOOLING ASSISTANCE CENTER 1-800-722-1111	VOLTAGE RATING: NOT APPLICABLE	0 PLC ± -	1 PLC ± -	APVD JL MECKLEY 3-29-93	TERMINAL, RING, TONGUE, SOLISTRAND 4 AWG	
FOR ORDER ENTRY	1-800-526-5142	WIRE CROSS SECTIONAL AREA RANGE, 16.8-26.7mm²[33,100-52,600] CIR MILS SOLID OR STRANDED	2 PLC ± -	3 PLC ± 0.127[.005]	PRODUCT SPEC UL 486 A-B	APPLICATION SPEC	SIZE CAGE CODE DRAWING NO
			4 PLC ± -	ANGLES ± -	MATERIAL	FINISH	A2 00779 C-320743
					SEE TABLE	CUSTOMER DRAWING	RESTRICTED TO
							SCALE 4:1 SHEET 1 OF 1 REV F1

单击下面可查看定价，库存，交付和生命周期等信息

[>>TE Connectivity\(泰科\)](#)