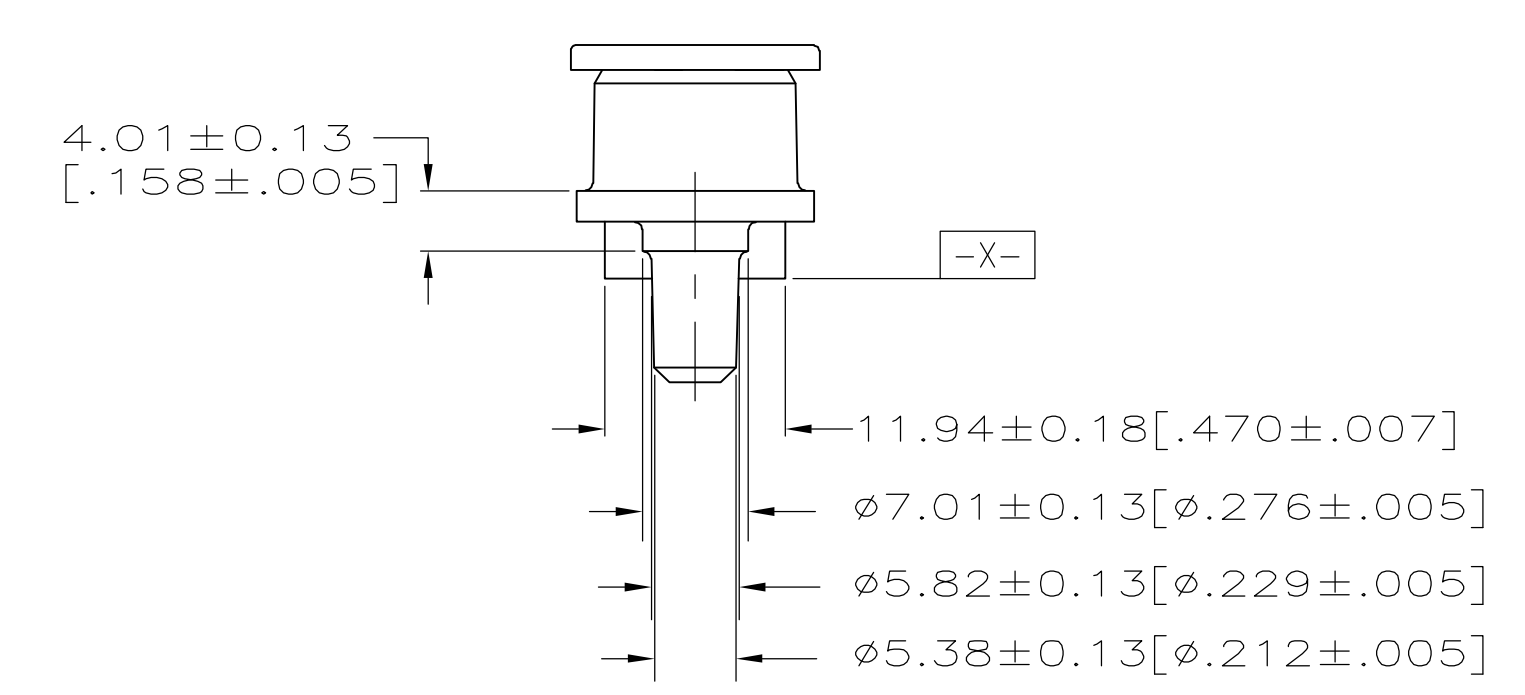
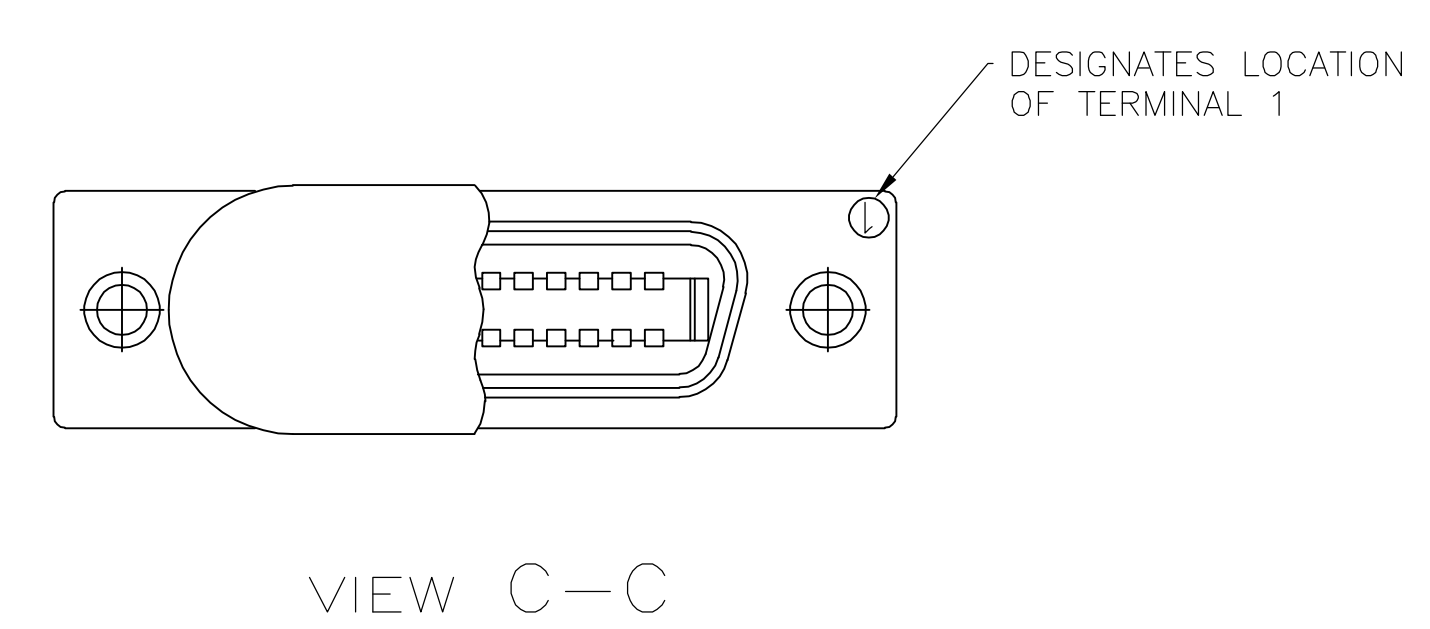
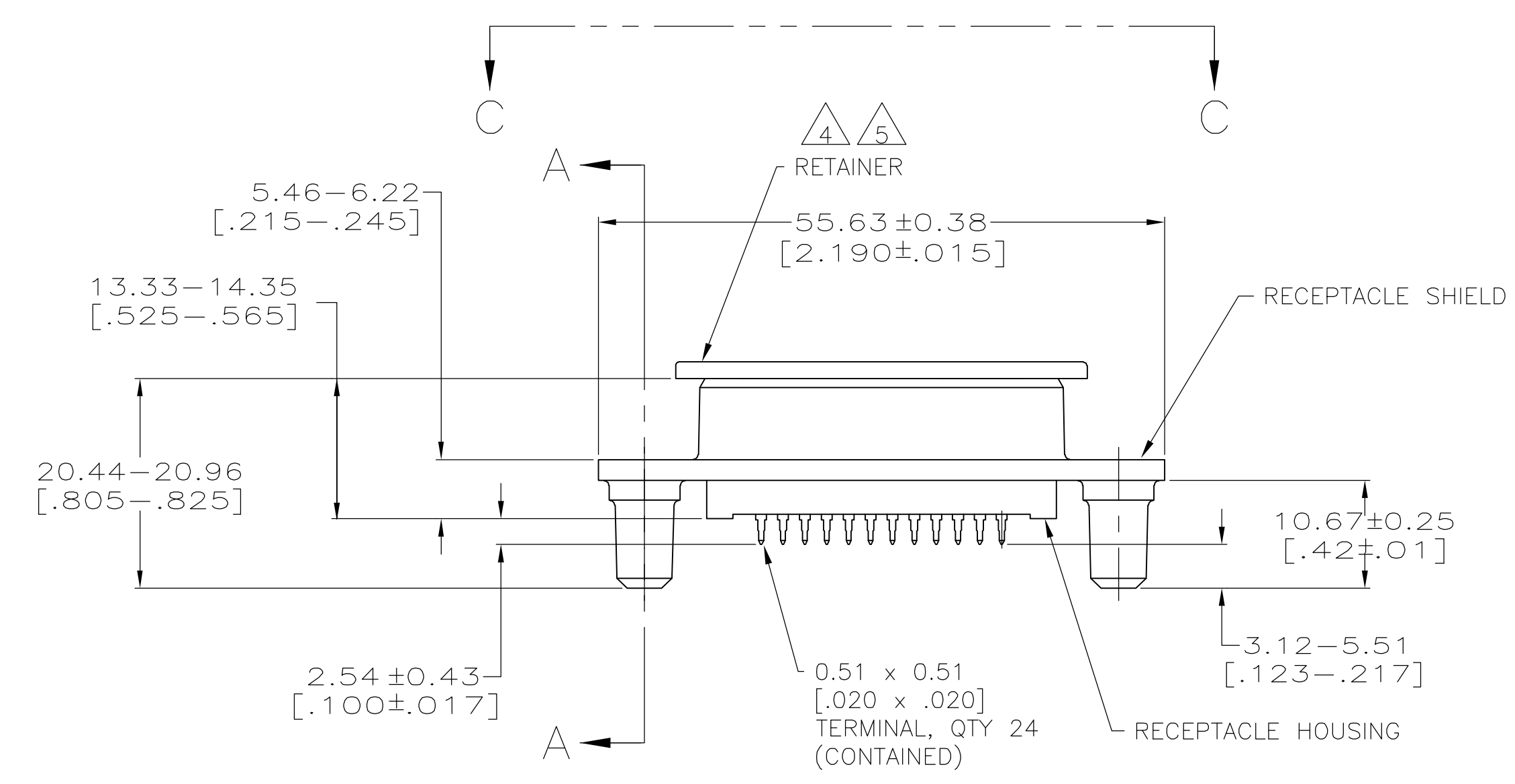
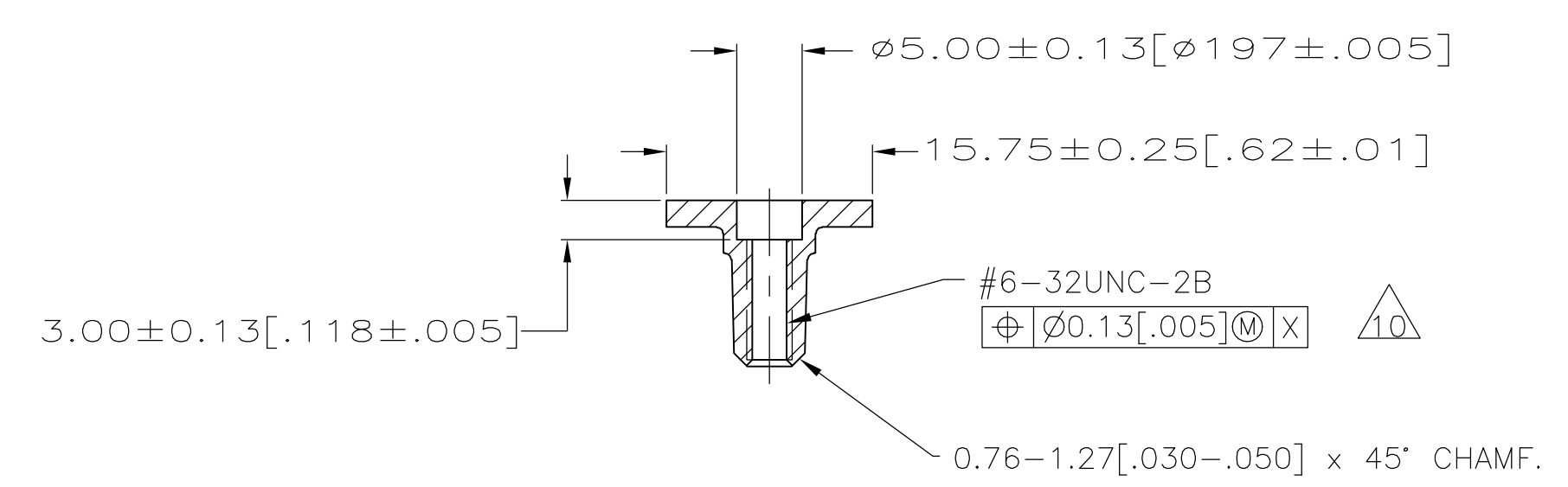
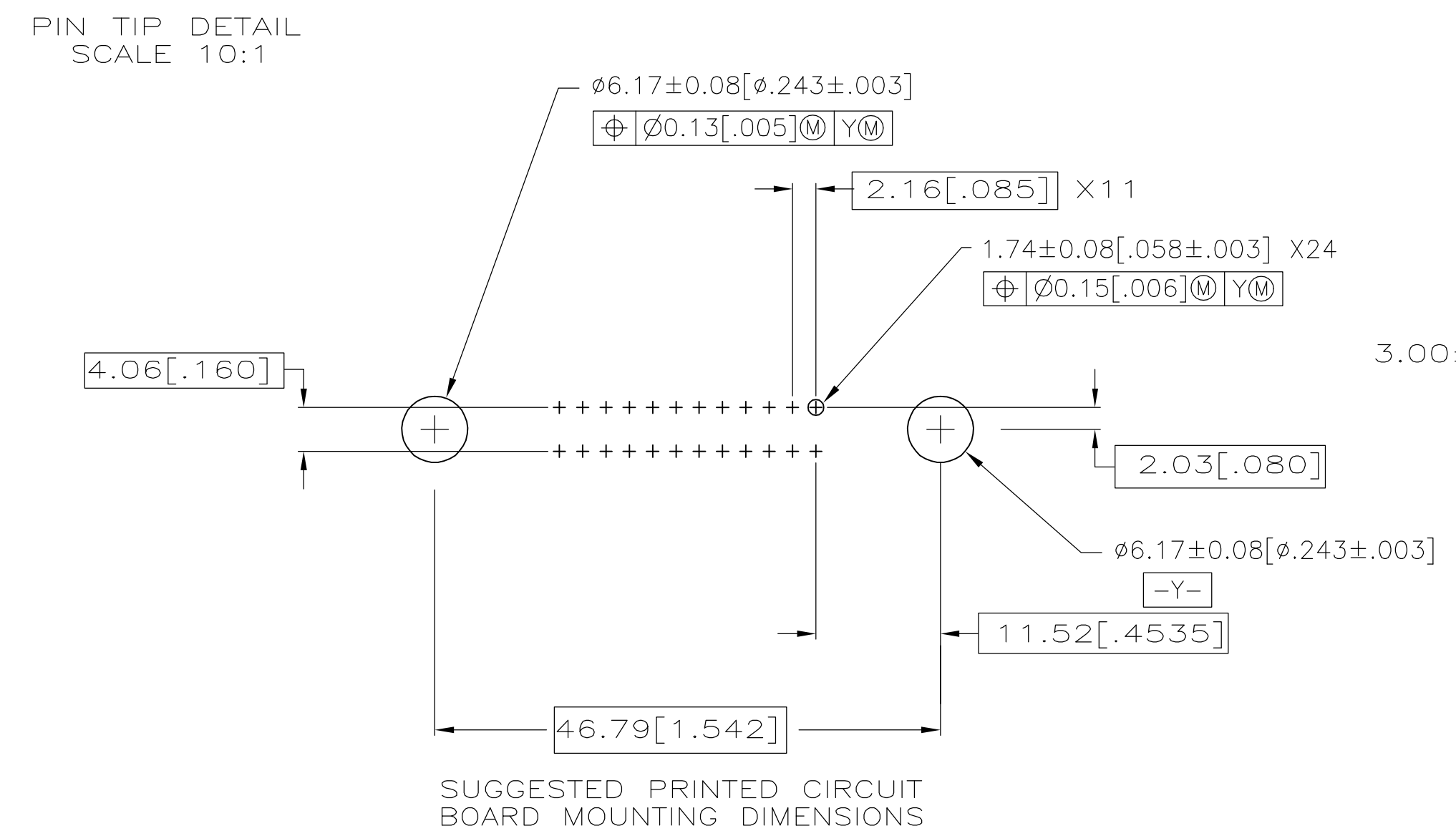
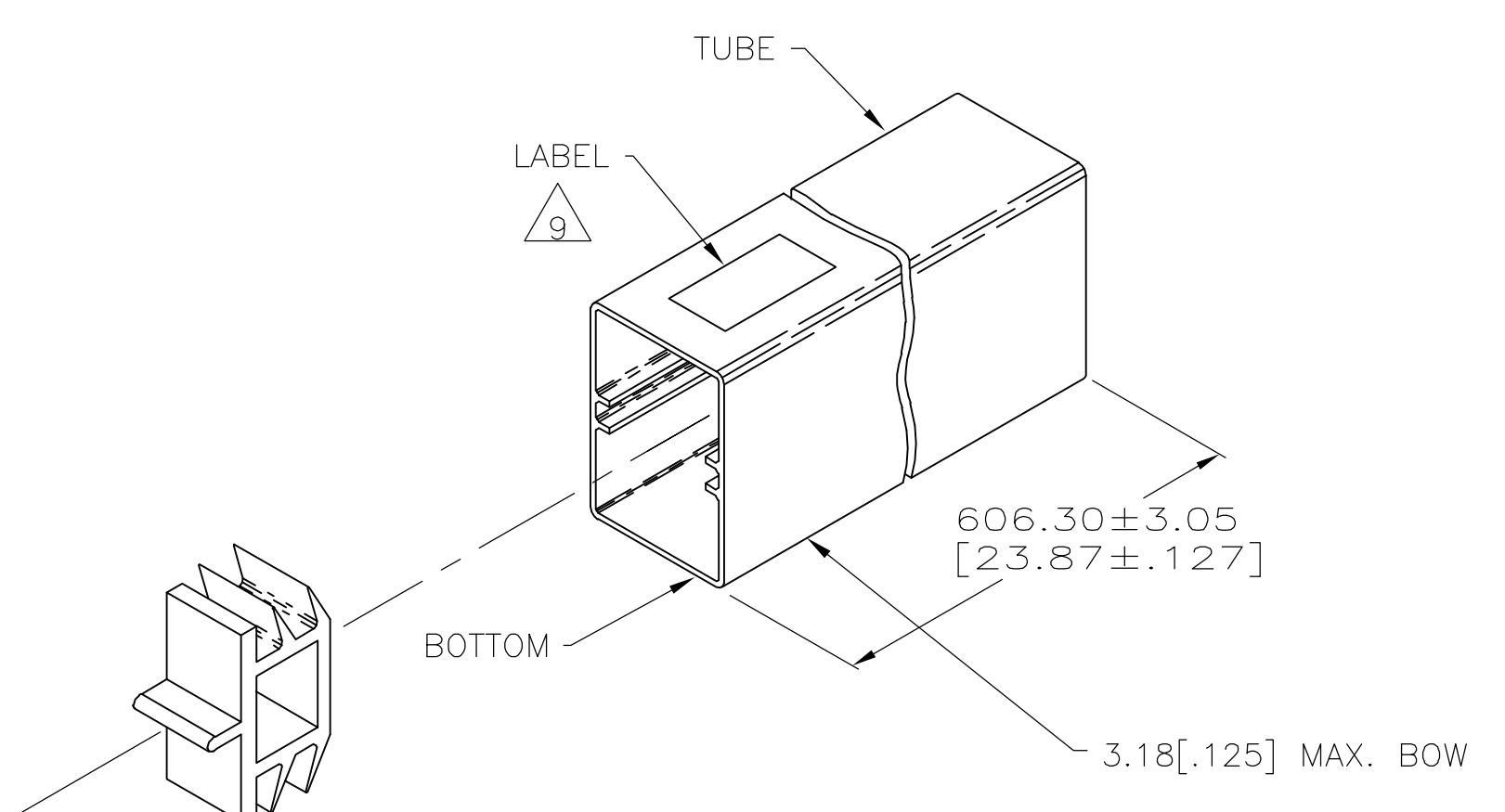
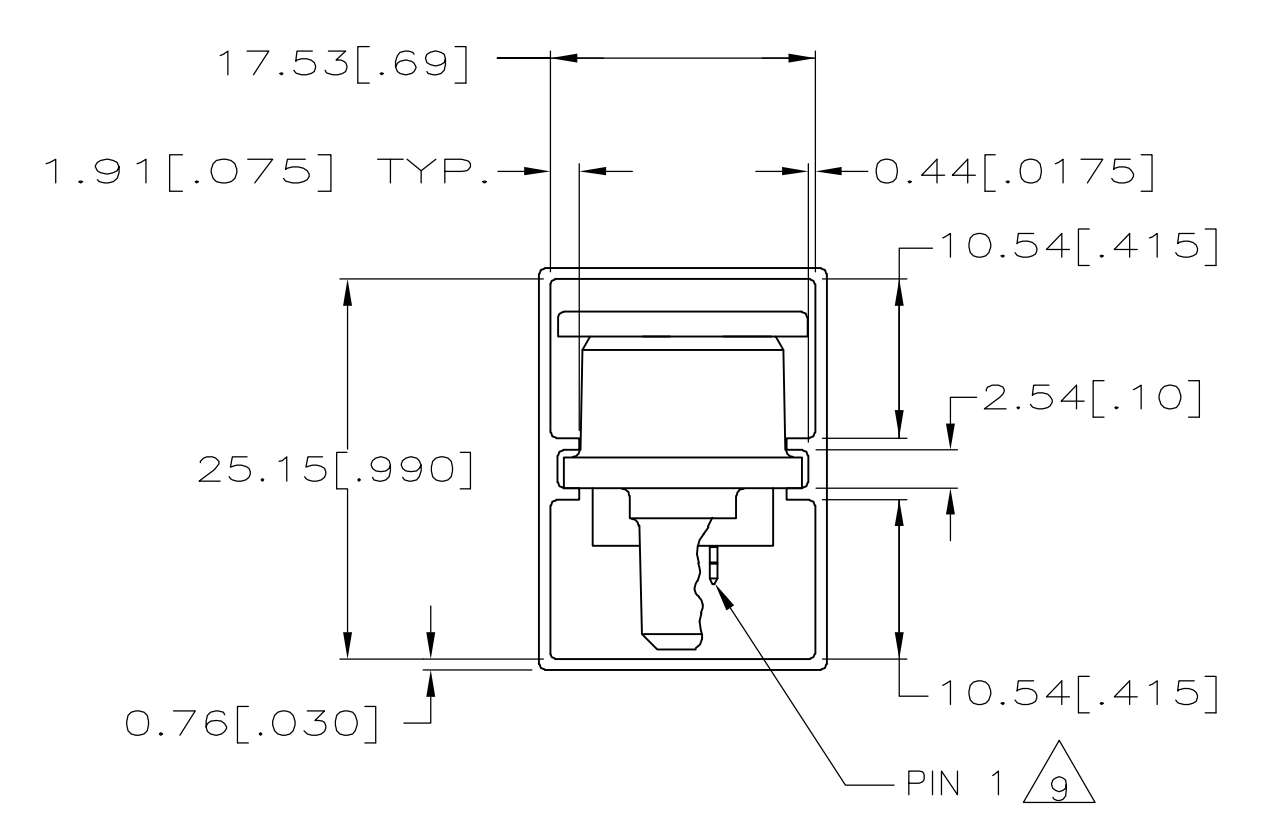
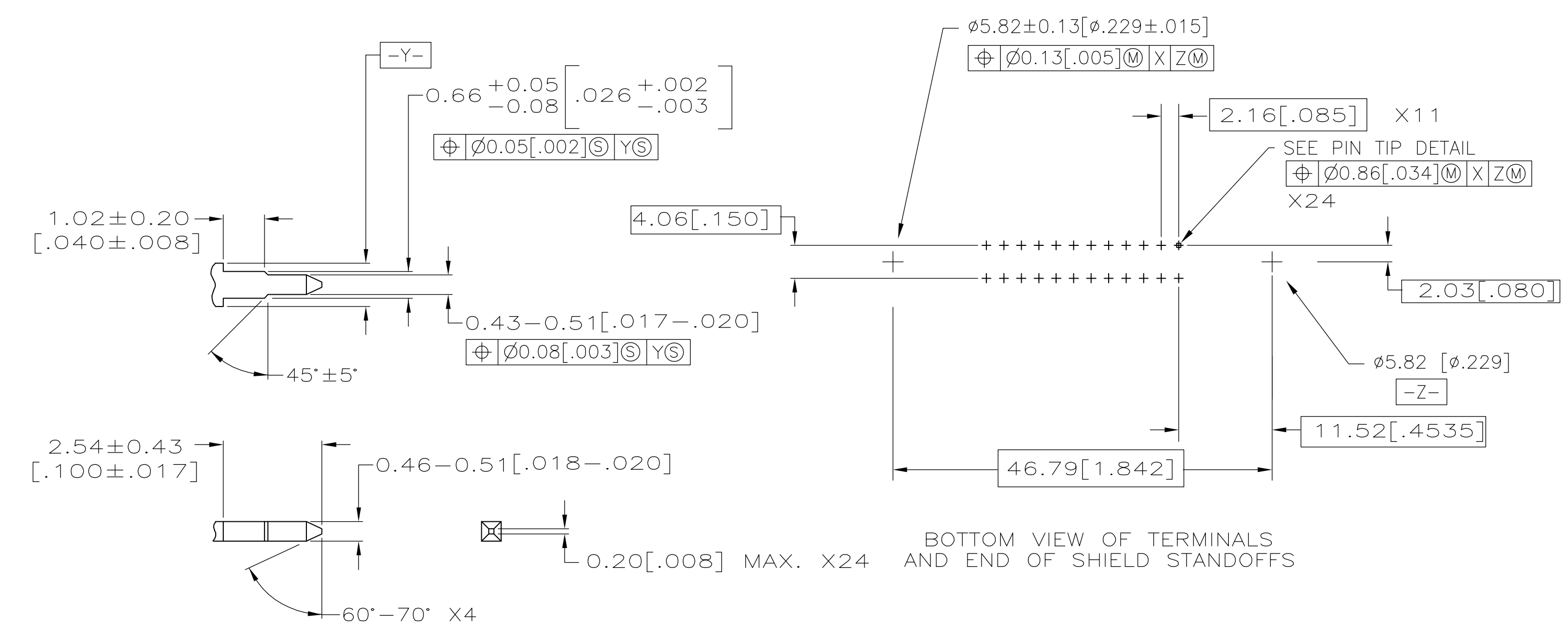


LOC	DIST	REVISIONS			
GP	00	REV	DESCRIPTION	DATE	BY
0		0	RELEASED PER EC OS13-0288-05	28SEP05	GP JG



- 1 MATERIAL: HOUSING - FLAME RETARDANT POLYESTER, BLACK, 94VO RATED.
TERMINALS - GOLD OVER NICKEL PLATED COPPER ALLOY.
RETAINER - POLYETHYLENE, NATURAL.
SHIELD - NICKEL PLATED ZINC DIE CASTING.
- 2 TUBE PLUG, PART NUMBER 555265-1.
- 3 THE CONTACT SURFACES OF THE TERMINALS ARE COATED WITH LUBRICANT.
- 4 RETAINER SHALL BE REMOVED AND DISCARDED ONLY AFTER CONNECTOR AND TERMINALS ARE RETAINED BY PRINTED CIRCUIT BOARD.
- 5 MAXIMUM EXTRACTION FORCE OF RETAINER 12 LBS.
- 6 GOLD PLATING THICKNESS AT THE POINT OF MEASUREMENT SHALL AVERAGE .698 µm-.828 µm [.0000275-.0000325] FOR TERMINALS.
- 7 10 EMI RECEPTACLE ASSEMBLIES PACKAGED PER TUBE.
- 8 5554857-1 IS ONE ASSEMBLY PACKAGED IN A TUBE.
- 9 LABEL INDICATES PIN ONE (1) END OF ALL ASSEMBLIES IN A TUBE.
- 10 THREADS SHALL BE FUNCTIONAL AFTER PLATING.
- 11 ALL DIMENSIONS SHOWN IN FIGURE D ARE NOMINAL AND ASSEMBLIES WILL SLIDE FREELY WITH TUBE AT 45° INCLINE.



THIS DRAWING IS A CONTROLLED DOCUMENT.		DWN G.PETERS 28SEP05		5554857-1	
		CHK W.MILLHIMES 28SEP05		PART NUMBER	
DIMENSIONS: mm (INCHES)		APP'D M.WALMSLEY 28SEP05	Tyco Electronics Corporation Harrisburg, Pa 17105-3608		
TOLERANCES UNLESS OTHERWISE SPECIFIED:		NAME	RECEPTACLE ASSEMBLY, SHIELDED, 24 POSITION, SOLDER PIN, CHAMP		
0 PLC ± -	1 PLC ± -	PRODUCT SPEC	SIZE CAGE CODE DRAWING NO RESTRICTED TO		
2 PLC ± -	3 PLC ± -	APPLICATION SPEC	A1 00779 C=5554857		
4 PLC ± -	ANGLES ± -	WEIGHT	CUSTOMER DRAWING SCALE 2:1 SHEET 1 OF 1 REV 0		
MATERIAL	FINISH				

单击下面可查看定价，库存，交付和生命周期等信息

[>>TE Connectivity\(泰科\)](#)