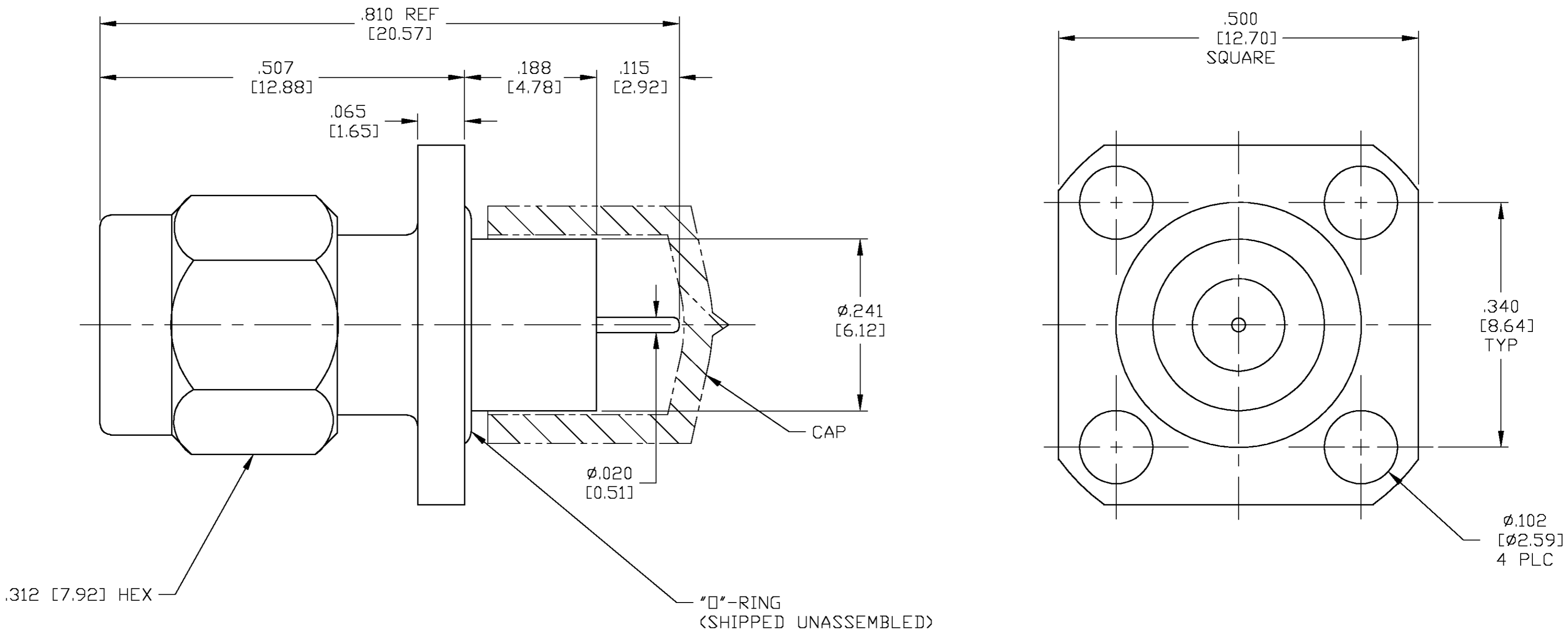


THIS DRAWING IS UNPUBLISHED.			RELEASED FOR PUBLICATION		
© COPYRIGHT BY TYCO ELECTRONICS CORPORATION. ALL RIGHTS RESERVED.					
COMPONENT	MATERIAL	FINISH			
HOUSING COUPLING NUT	STAINLESS STEEL PER ASTM-A-484 OR ASTM-A-582 TYPE 303	GOLD PLATED PER ASTM-B-488			
DIELECTRIC	PTFE FLUORCARBON PER ASTM-D-484	---			
CENTER CONTACT	BERYLLIUM COPPER PER ASTM-B-196 OR 197 ALLOY C17300, CONDITION H	GOLD PLATED PER ASTM-B-488			
RETAINING RING	BERYLLIUM COPPER PER ASTM-B-194 ALLOY C17200, CONDITION H	---			
CONTACT EXTENSION	ALLOY 152	GOLD PLATED PER ASTM-B-488			
GASKET	SILICONE RUBBER PER ZZ-R-765	---			
"O"-RING	ETHYLENE PROPYLENE PER ASTM-D2000-70 2AA815813F17L14	---			
HERMETIC SEAL	GLASS BEAD	---			

LOC	DIST	REVISIONS					
DF	X0	P	LTR	DESCRIPTION	DATE	DWN	APVD
		0		RELEASED	4-03	CT	RG



1. CAPTURED CENTER CONTACT.

1484943-1
PART NO.

THIS DRAWING IS A CONTROLLED DOCUMENT.		DWN	C.C.THOMAS	4-1-03	tyco Electronics	Tyco Electronics Corporation Harrisburg, PA 17105	
DIMENSIONS: INCHES [mm]		CHK	R.GROSS	4-1-03		NAME SMA FOUR HOLE FLANGE MOUNT SHELL ASSEMBLY, HERMETICALLY SEALED	
TOLERANCES UNLESS OTHERWISE SPECIFIED:		APVD	R.GROSS	4-1-03	SIZE	CAGE CODE	DRAWING NO
0 PLC ± -		PRODUCT SPEC			A2	00779	C=1484943
1 PLC ± -		APPLICATION SPEC			SCALE	SHEET	OF
2 PLC ± -					8:1	1	1
3 PLC ± .005 [0.13]					CUSTOMER DRAWING	REV	0
4 PLC ± -							
ANGLES ± -							
FINISH							

单击下面可查看定价，库存，交付和生命周期等信息

[>>TE Connectivity\(泰科\)](#)