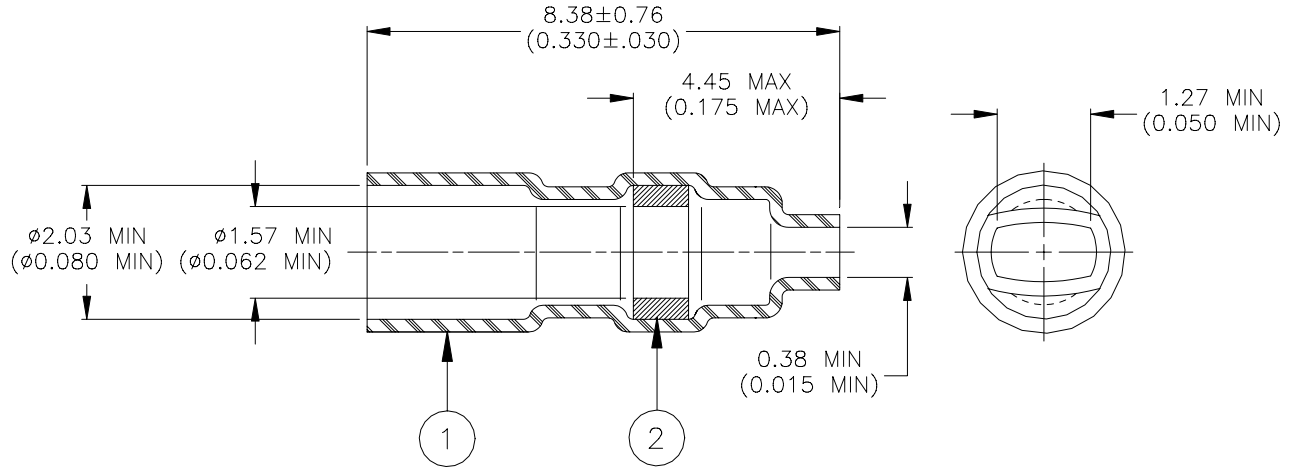


SPECIFICATION CONTROL DRAWING



MATERIALS

1. INSULATION SLEEVE: Heat shrinkable, transparent blue, radiation cross-linked polyvinylidene fluoride.
2. SOLDER PREFORM WITH FLUX:
 SOLDER: TYPE Sn63 per ANSI J-STD-006.
 FLUX: TYPE ROL1 per ANSI J-STD-004.

APPLICATION

1. This part will terminate up to two 24 AWG wires to a flat tab terminal 1.42x0.23x5.08 (0.056x0.009x0.200).
2. Sleeve will recover to 0.76 (0.030) max. I.D.
3. Temperature range: -55°C to 150°C.
4. This drawing forms part of Raychem Specification Control Drawing D-714-01.

tyco <i>Electronics</i>		Raychem		Tyco Electronics Corporation 300 Constitutional Drive Menlo Park, CA 94025 USA		TITLE: SOLDERSLEEVE, PCB CONNECTOR 1.42 x 0.23 x 5.08 TERMINAL									
UNLESS OTHERWISE SPECIFIED DIMENSIONS ARE IN MILLIMETERS. INCHES DIMENSIONS ARE BETWEEN BRACKETS.				DOCUMENT NO.: D-129-05											
TOLERANCES: 0.00 N/A 0.0 N/A 0 N/A		ANGLES: N/A ROUGHNESS IN MICRON		Tyco reserves the right to amend this drawing at any time. Users should evaluate the suitability of the product for their application.		DATE: 17-July-00		DOC ISSUE: 1							
DRAWN BY: M. FORONDA		CAGE CODE: 06090		REPLACES: N/A		DCR NUMBER: D000393		PROD. REV.: E		SCALE: None		SIZE: A		SHEET: 1 of 1	

If this document is printed it becomes uncontrolled. Check for the latest revision.

单击下面可查看定价，库存，交付和生命周期等信息

[>>TE Connectivity\(泰科\)](#)