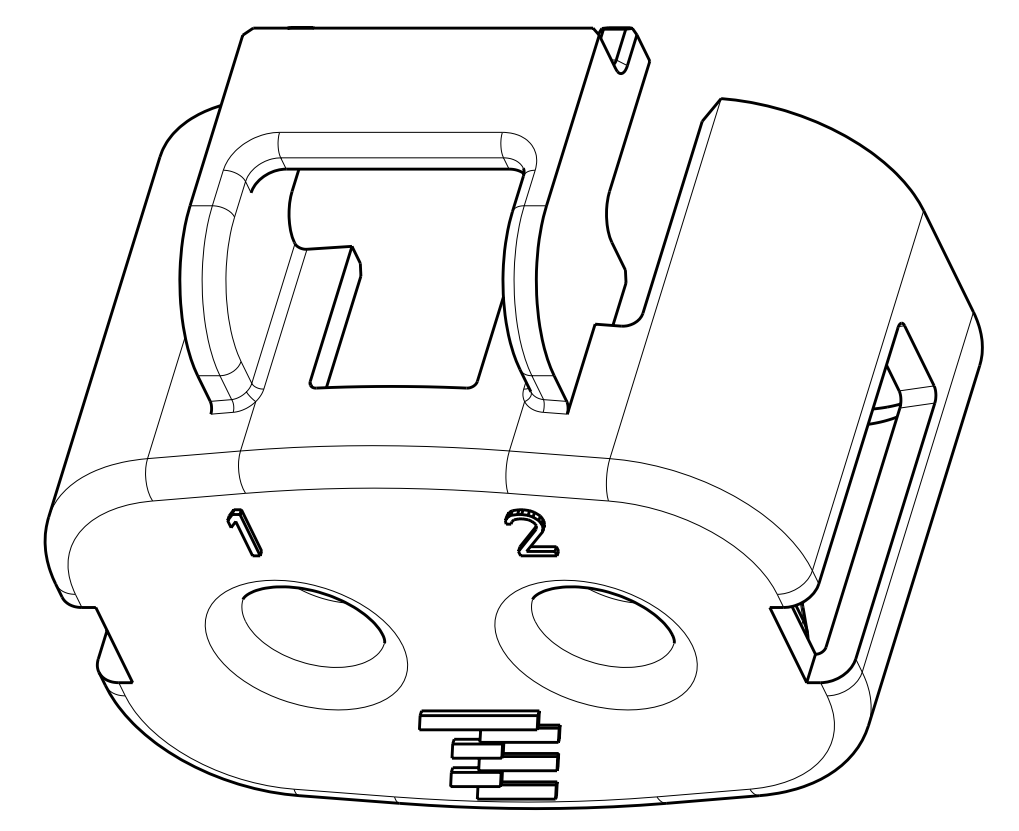
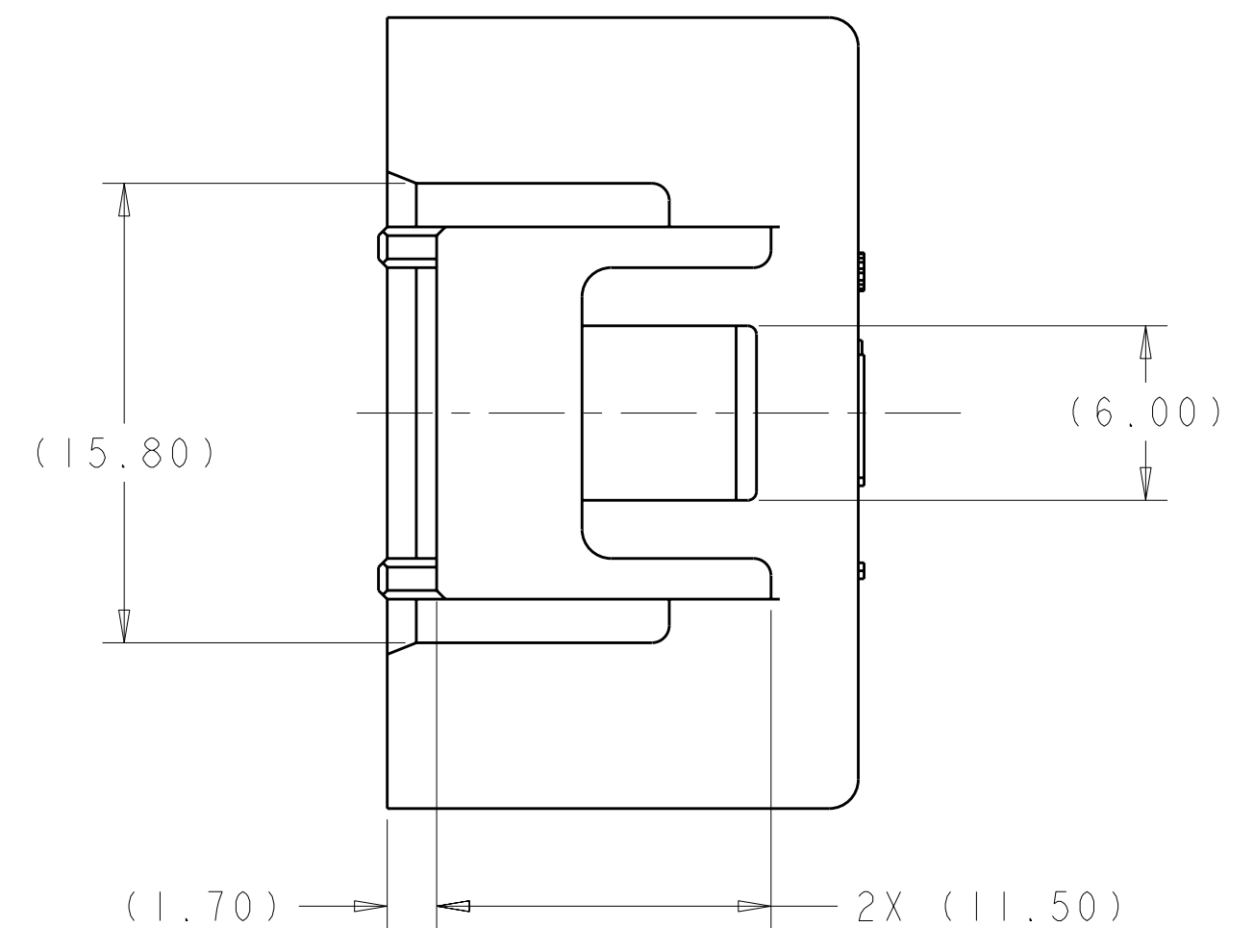
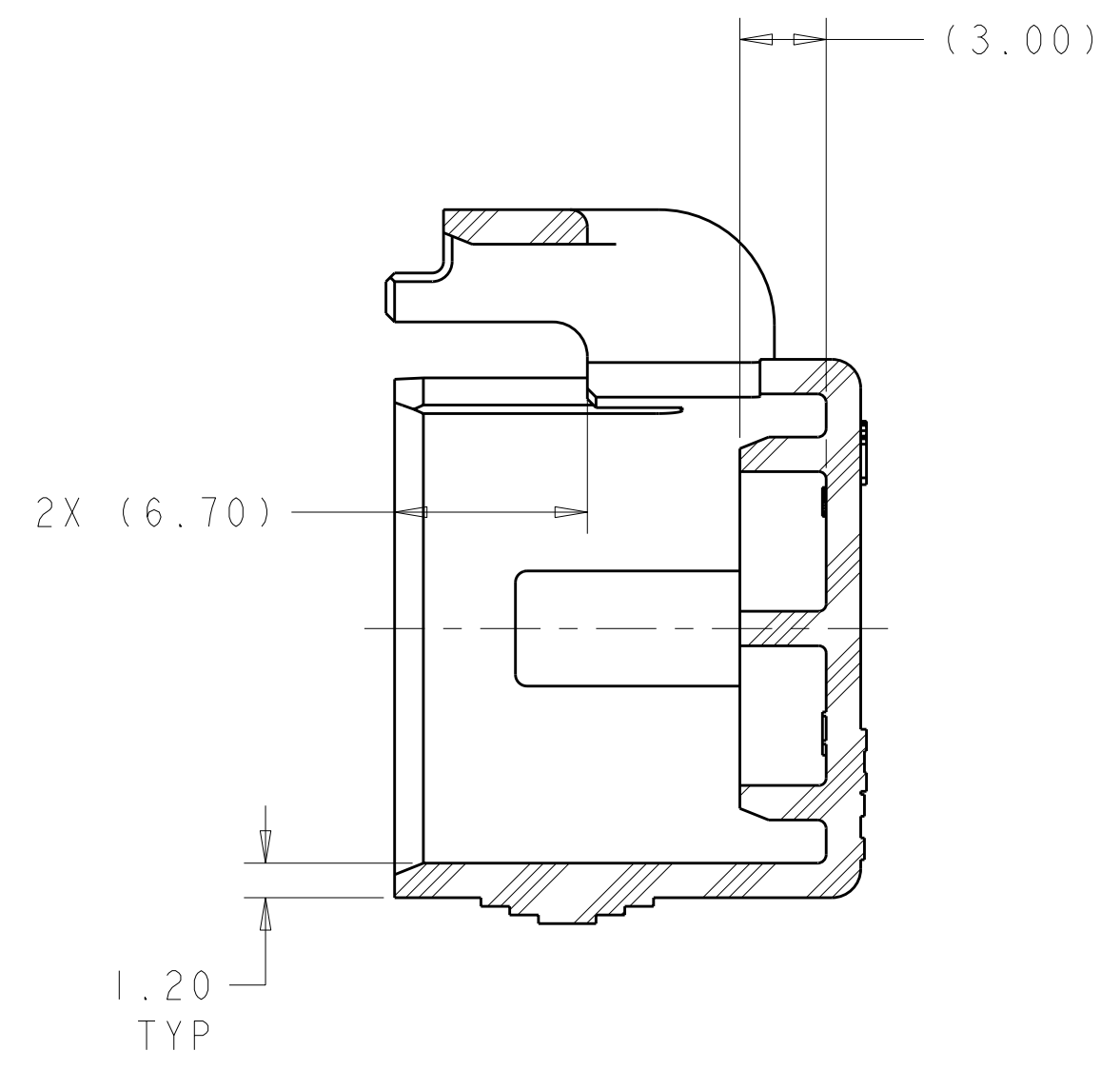
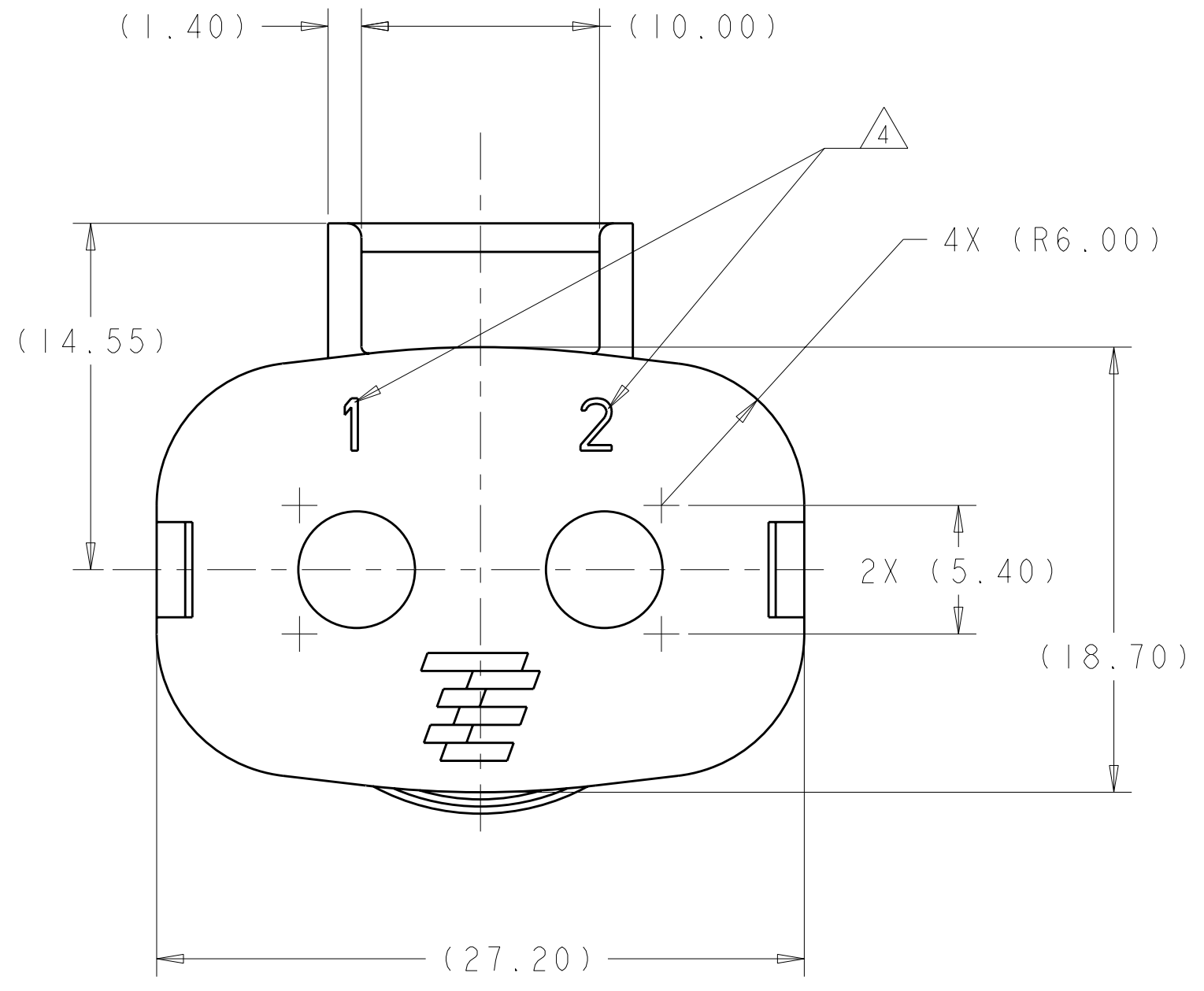
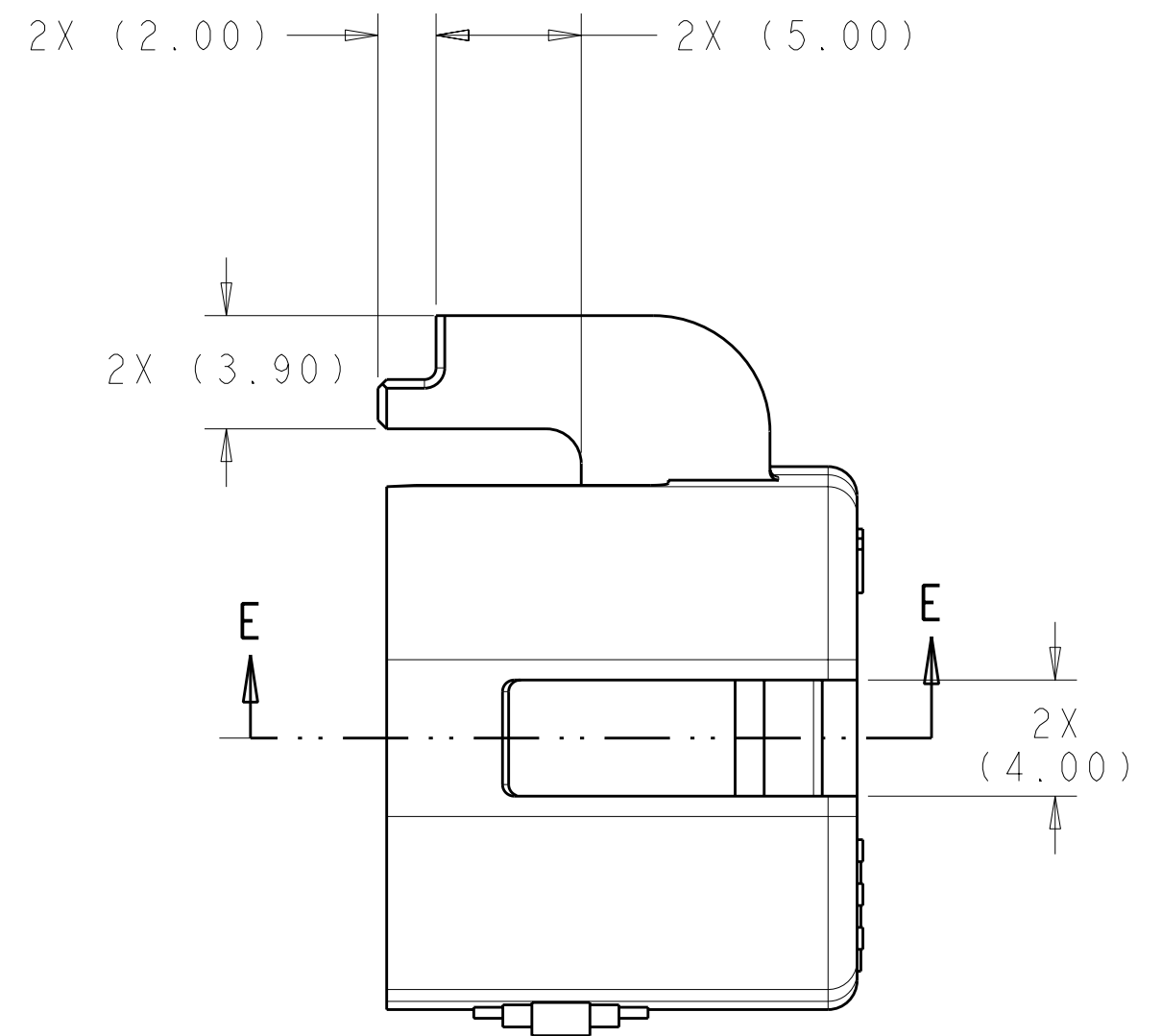
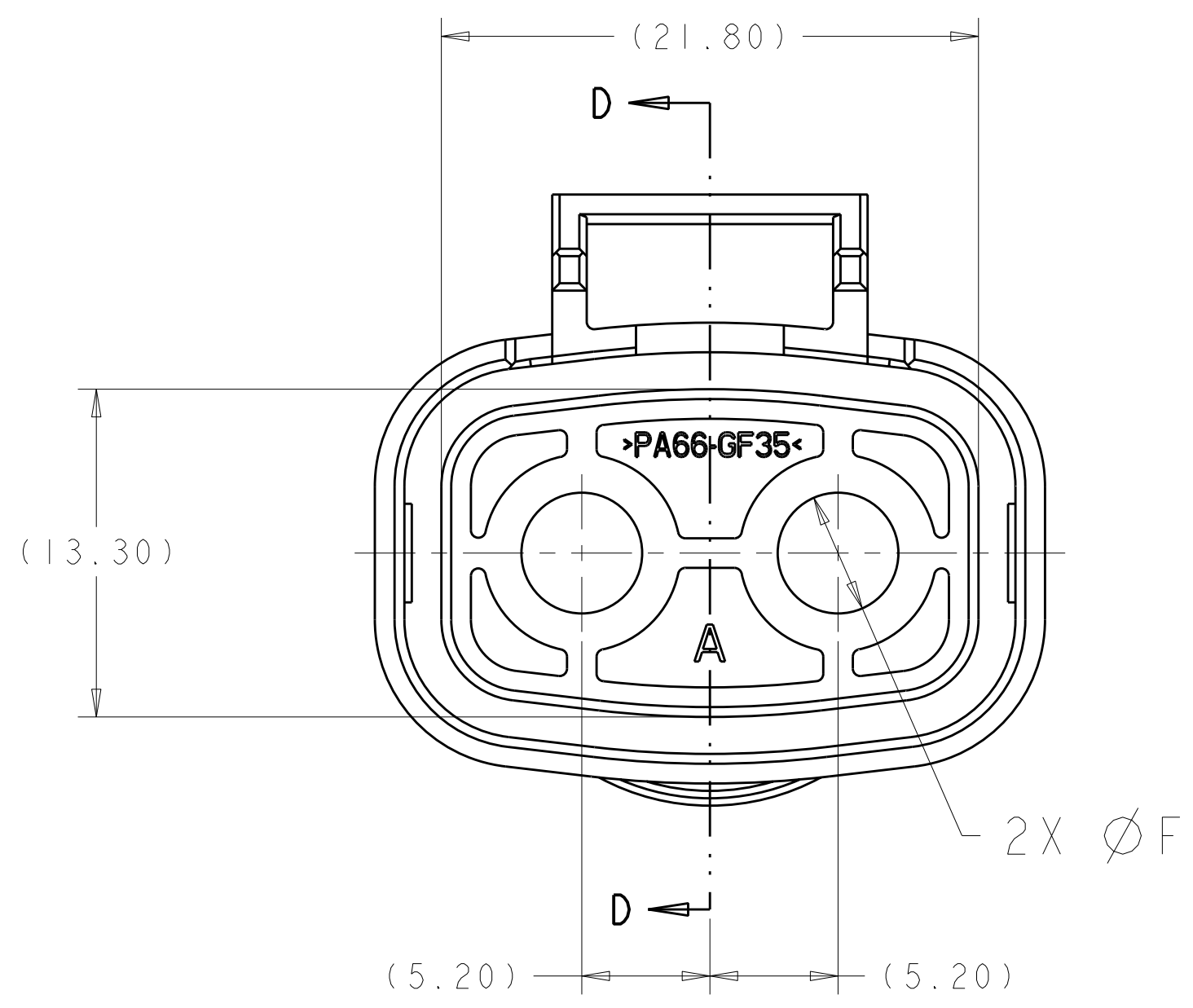


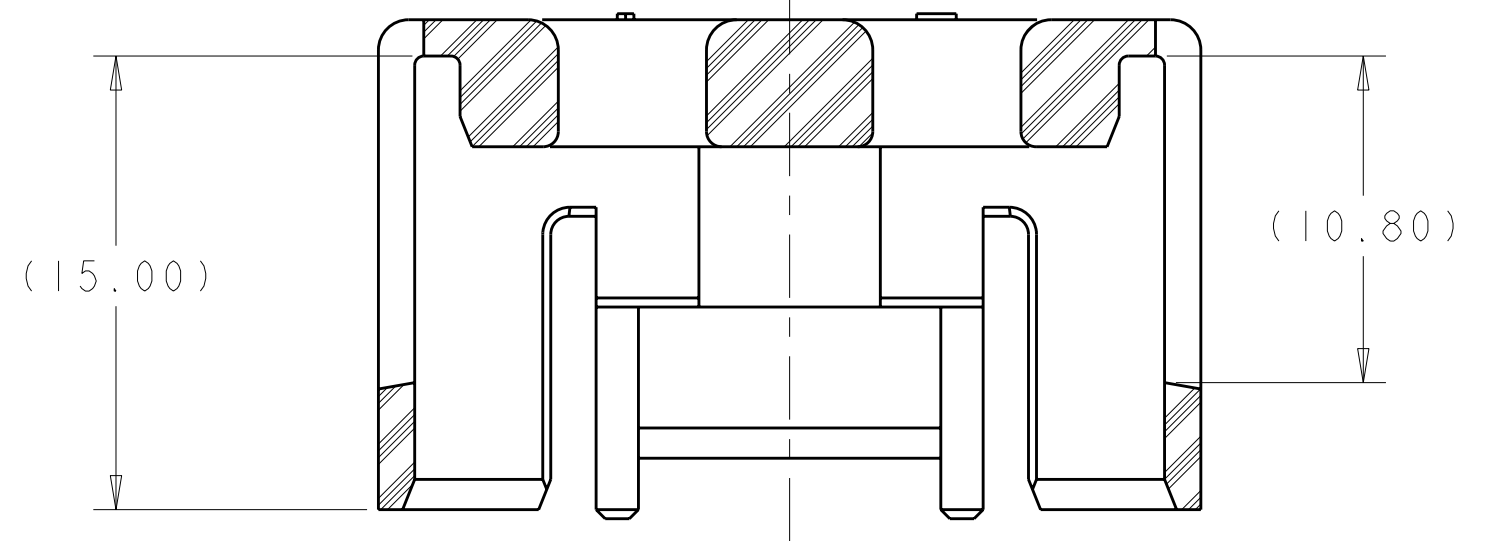
| REV. NO. | | REVISIONS | | | |
|----------|-----------|---------------|------|----|--------|
| REV. | DATE | DESCRIPTION | DATE | BY | APP'D. |
| B1 | 23MAR2011 | ECO-11-006038 | | DS | AT |



SECTION D-D
REMOVED



- △ MATERIAL :
TYPE : PA66 35%GF
COLOR : SEE TABLE
- 2. FEATURES DENOTED BY REFERENCE DIMENSIONS MUST BE INSPECTED FOR PRESENCE
- 3. PART MUST BE FREE OF EXCESSIVE FLASH, MIS-MATCH, SINK MARKS, OR OTHER VISUAL IMPERFECTIONS THAT MAY AFFECT PRODUCT FIT FORM OR FUNCTION
- △ 4 CIRCUIT ID
- △ 5 PRELIMINARY PART—NOT RELEASED FOR PRODUCTION



SECTION E-E
REMOVED, ROTATED 90° CCW

| COLOR | MIN WIRE O.D. | MAX WIRE O.D. | F | DESCRIPTION | PART NO |
|---------|---------------|---------------|------|-----------------------------|-----------|
| DK GRAY | 5.48 | 6.10 | 6.20 | CABLE SEAL RETAINER, SIZE C | 1587827-3 |
| ORANGE | 4.76 | 5.48 | 5.60 | CABLE SEAL RETAINER, SIZE B | 1587827-2 |
| BLACK | 4.11 | 4.76 | 4.90 | CABLE SEAL RETAINER, SIZE A | 1587827-1 |

THIS DRAWING IS A CONTROLLED DOCUMENT.

| | | | | |
|-----------------------|------------------------------------------------------------------------------------------------------------------------------------------|---------------------------------------------------------------|------------------------------------------------------------------------------------|----------------------------------------------------------------|
| DIMENSIONS: mm | TOLERANCES UNLESS OTHERWISE SPECIFIED: 9 PLC ±. 1 PLC ±0.2 2 PLC ±0.10 3 PLC ±0.100 4 PLC ±0.0001 ANGLES ±1° FINISH | DWN: D. SIMPSON 05JUN2009 CHW: A. TYLER 05JUN2009 APVD: | NAME: A. TYLER PRODUCT SPEC: 108-2394 APPLICATION SPEC: 114-13259 WEIGHT: | SIZE: CAGE CODE DRAWING NO: A100779C=1587827 RESTRICTED TO: |
|-----------------------|------------------------------------------------------------------------------------------------------------------------------------------|---------------------------------------------------------------|------------------------------------------------------------------------------------|----------------------------------------------------------------|

STE TE Connectivity
 CABLE SEAL RETAINER HVA280-2P1
 CUSTOMER DRAWING SCALE 4:1 SHEET 1 OF 1 REV B1

单击下面可查看定价，库存，交付和生命周期等信息

[>>TE Connectivity\(泰科\)](#)