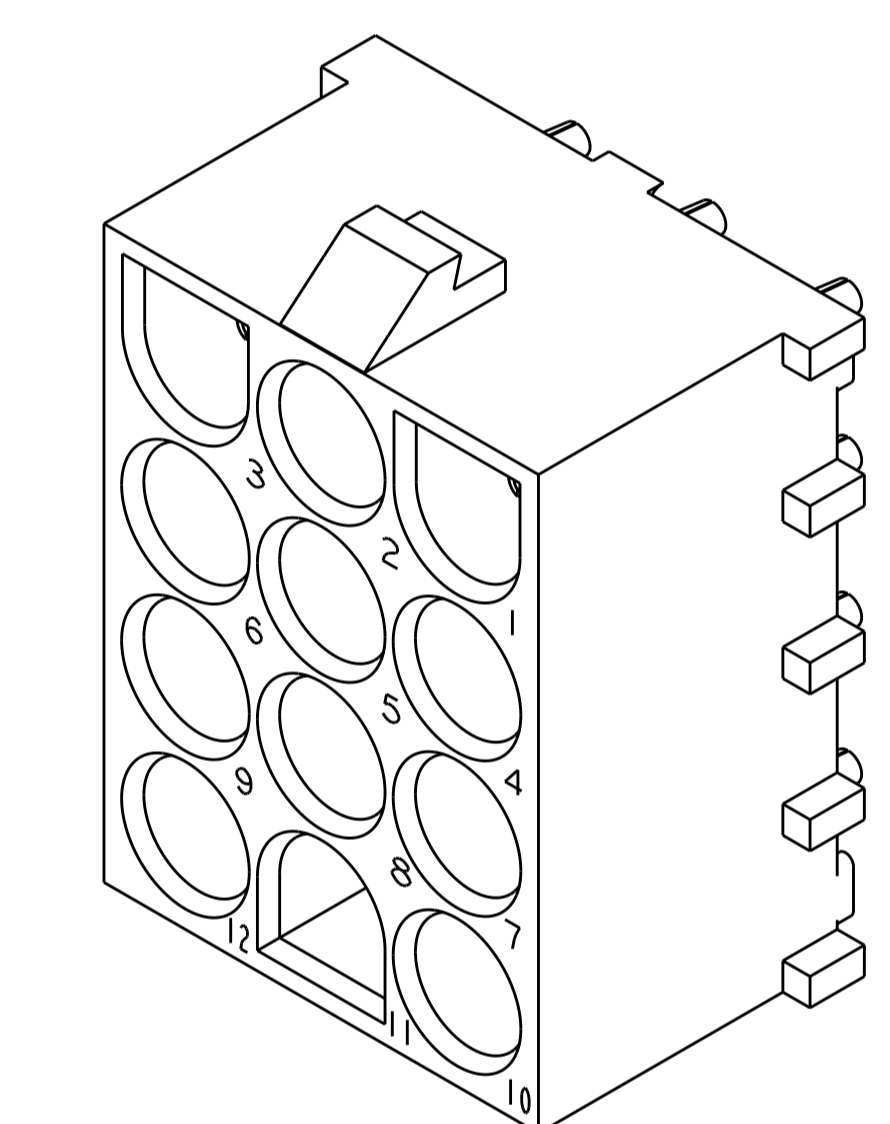
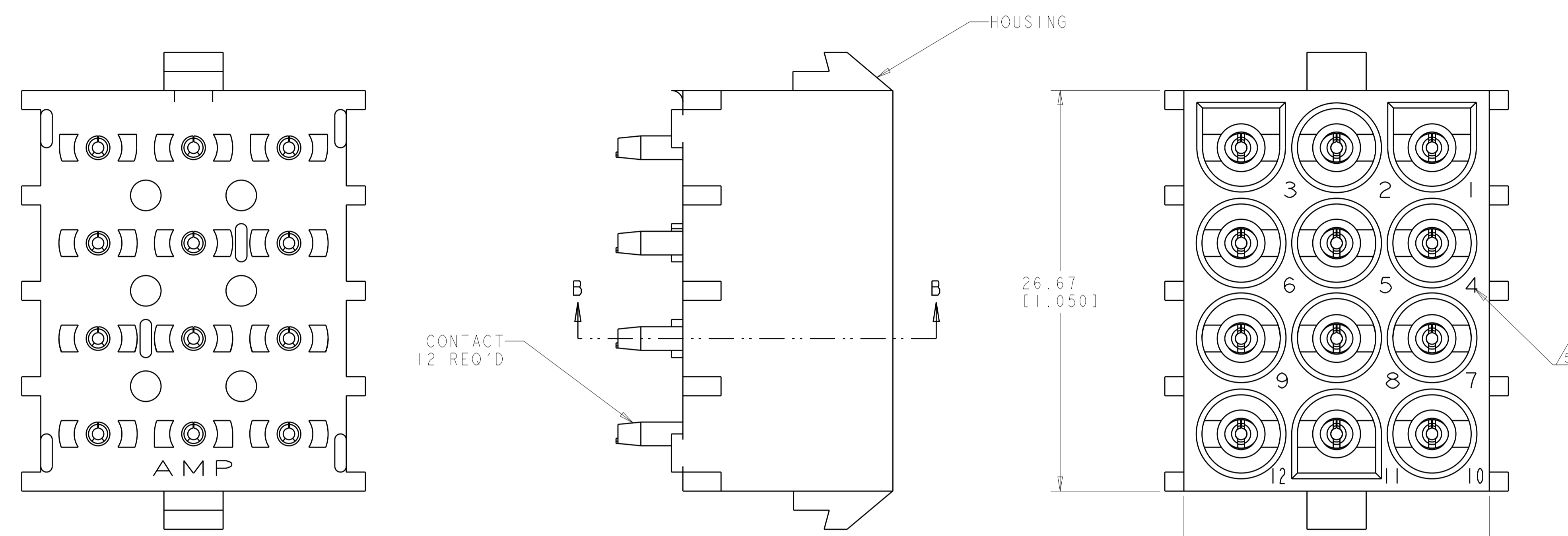
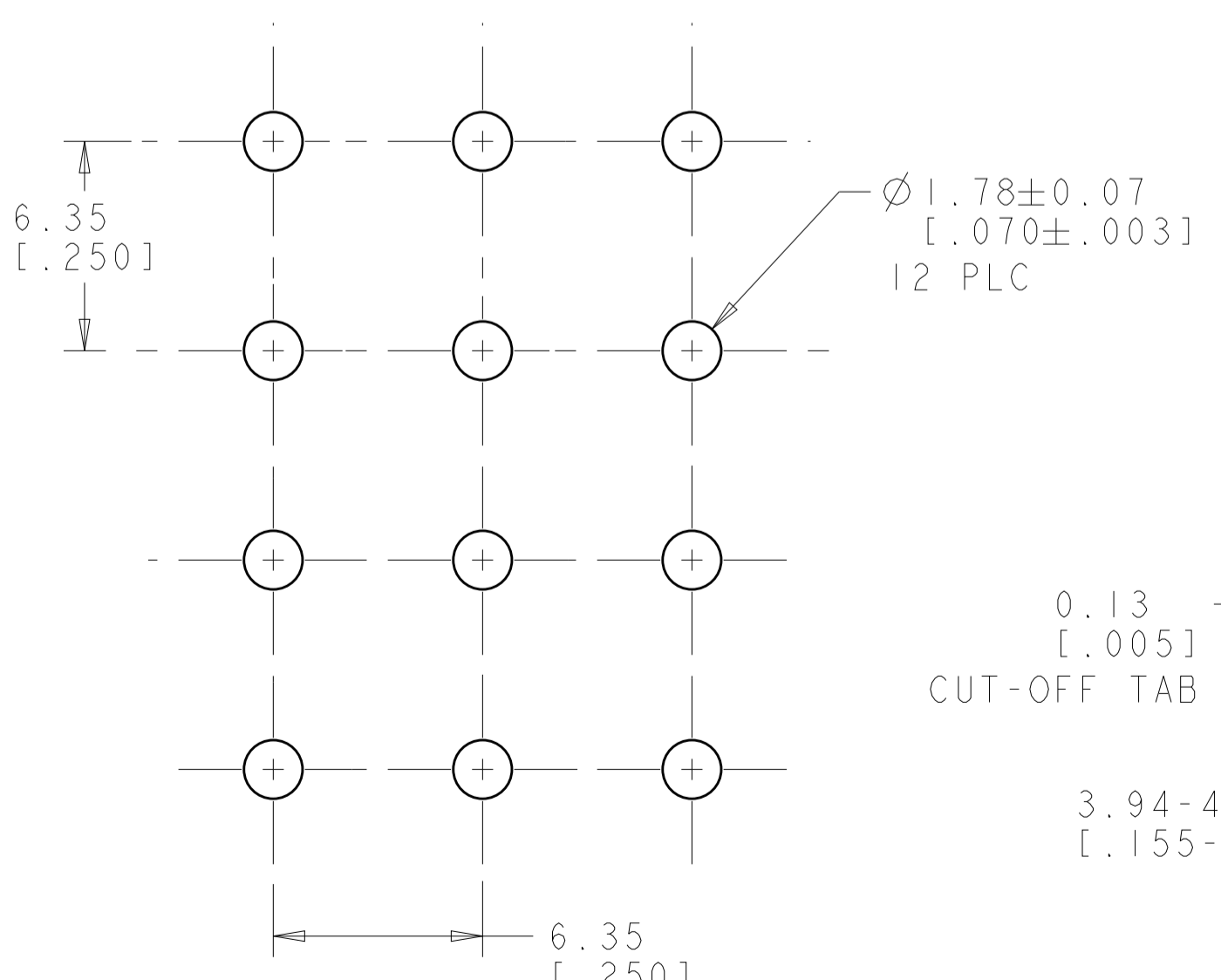
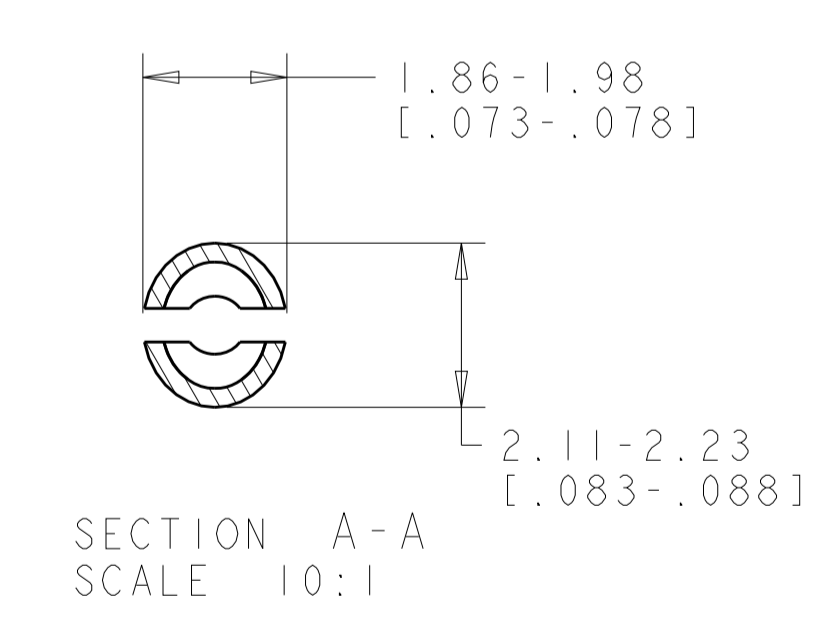
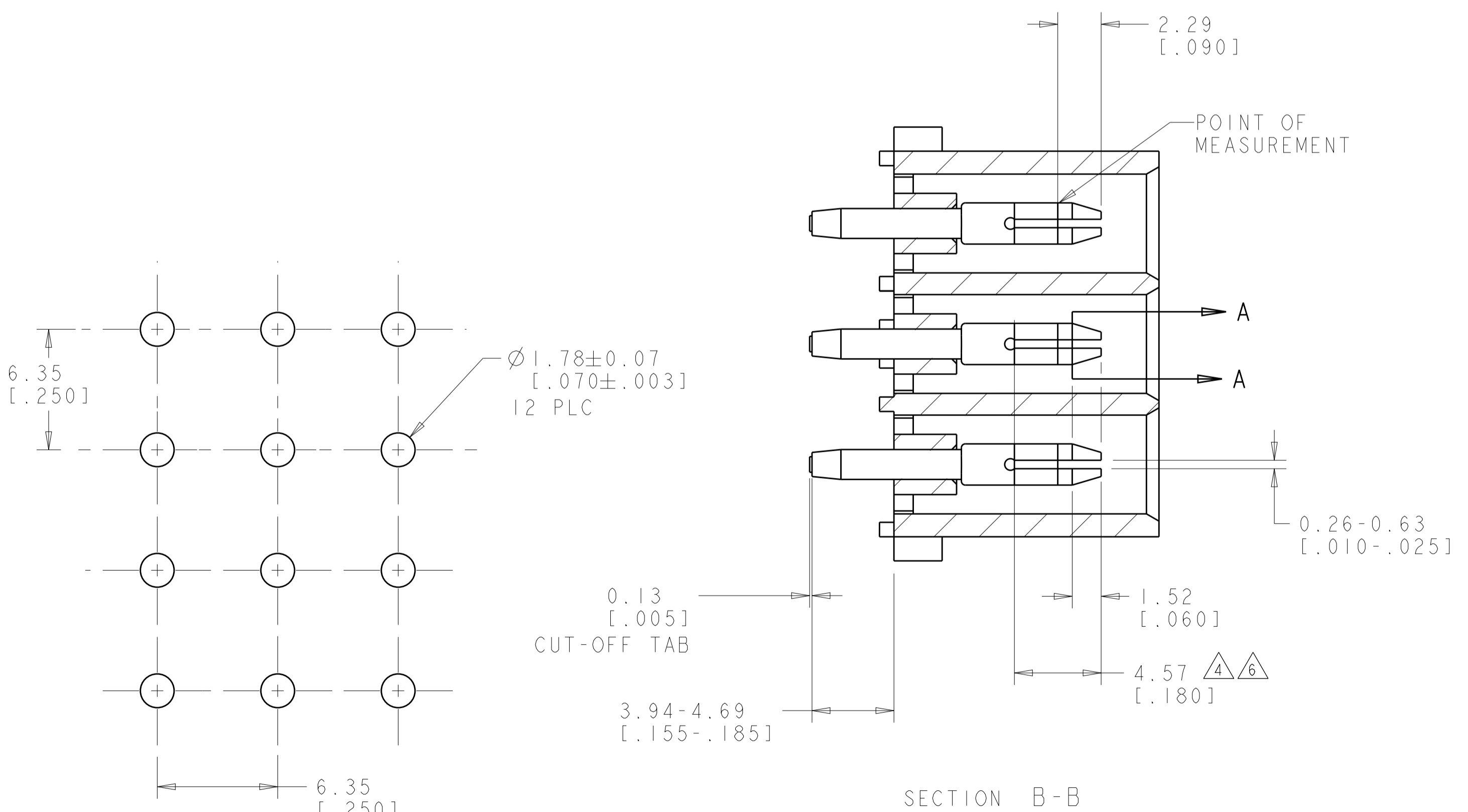


LOC	DIST	REV	DATE	BY	CHKD	APVD
CM	00	M2	24JAN2013	KH	TM	

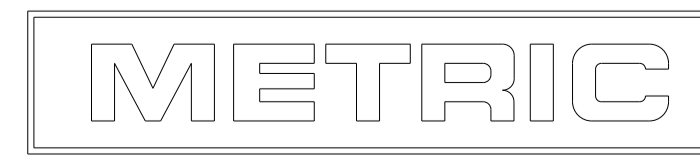
- MATES WITH HOUSING 350735.
- NOTE DELETED.
- PARTS COMPLY TO AMP SOLDERABILITY SPECIFICATION 109-11-3.
- CONTACT IS PLATED OVERALL WITH 0.00127 [.000050] NICKEL, THEN 0.00076 [.000030] GOLD OVER CONTACT LENGTH INDICATED AND TIN LEAD ON SOLDER TAIL END.
- CIRCUIT IDENTIFICATION CHARACTERS ARE ADJACENT TO THE INDICATED CAVITIES, BUT LOCATION AND ORIENTATION MAY DIFFER FROM PRINT.
- CONTACT IS PLATED OVERALL WITH 0.00127 [.000050] NICKEL, THEN 0.00076 [.000030] GOLD OVER CONTACT LENGTH INDICATED AND MATTE TIN ON SOLDER TAIL END.
- DIMENSIONS IN BRACKETS ARE IN INCHES.
- SUPERSEDED BY 350713-4



3 DIMENSIONAL MODEL  
SCALE 4:1



PIN CONTACT MATERIAL AND FINISH	HOUSING MATERIAL AND COLOR	PART NUMBER
PHOSPOR BRONZE, GOLD $\Delta$	NYLON, UL94V-0, NATURAL	350713-4
$\Delta$ PHOSPOR BRONZE, GOLD $\Delta$	NYLON, UL94V-0, NATURAL	350713-2
PHOSPOR BRONZE, PRE-TIN	NYLON, UL94V-0, NATURAL	350713-1



THIS DRAWING IS A CONTROLLED DOCUMENT.

DIMENSIONS: mm [INCHES]	TOLERANCES UNLESS OTHERWISE SPECIFIED:	0 PLC ±	1 PLC ±	2 PLC ±0.131(.005)	3 PLC ±	4 PLC ±
MATERIAL: SEE TABLE	FINISH: SEE TABLE	ANGLES: 40°/30°	APPROVED: S. RIDGILL			

DATE: 25JULY2005  
 CHK: R. WHITAKER  
 APVD: S. RIDGILL  
 NAME: PIN HEADER ASSEMBLY, 12 CIRCUIT, UNIVERSAL MATE-N-LOK(TM)  
 SIZE: A1  
 CAGE CODE: 00779  
 DRAWING NO: 350713  
 CUSTOMER DRAWING  
 SCALE: 1:1  
 SHEET: 1 OF 1  
 REV: M2

单击下面可查看定价，库存，交付和生命周期等信息

[>>TE Connectivity\(泰科\)](#)