

THIS DRAWING IS UNPUBLISHED.

RELEASED FOR PUBLICATION

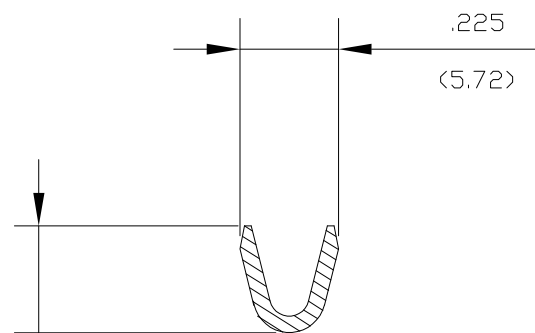
ALL RIGHTS RESERVED.

© COPYRIGHT - By -

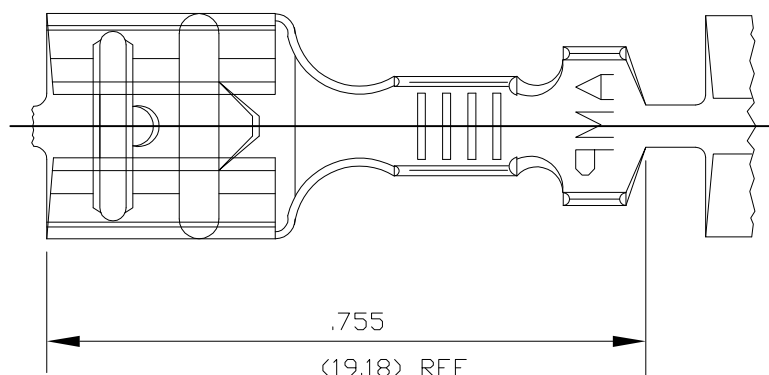
LOC AF DIST 50

REVISIONS

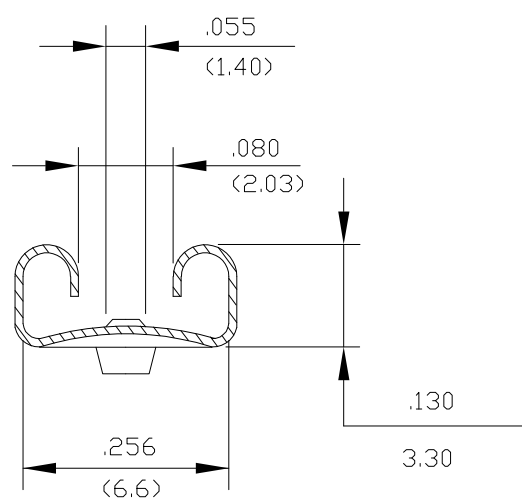
| P | LTR | DESCRIPTION           | DATE    | DWN | APVD |
|---|-----|-----------------------|---------|-----|------|
|   | H2  | REV PER ECO 12-008602 | 07MAY12 | JR  | PD   |



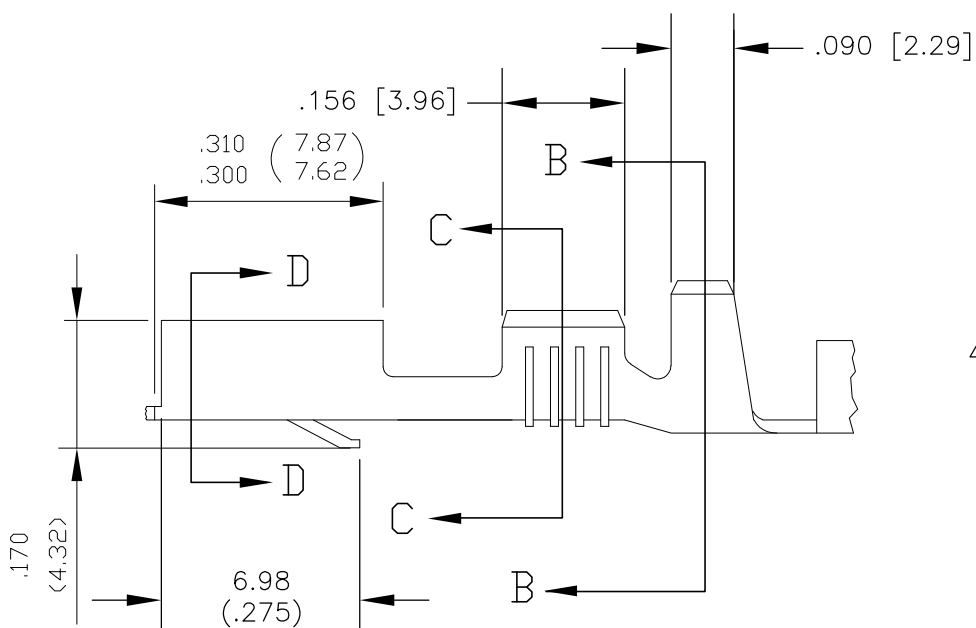
SECTION C - C



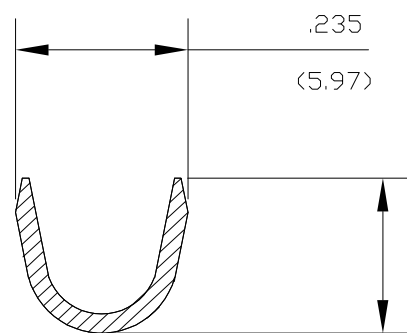
.225 (5.72) REF



SECTION D - D



1. ALL DIMENSIONS ARE IN INCHES (mm).
2. GENERAL TOLERANCES ±.010 (±0.25).
3. OBSOLETE PARTS: OBSOLETE CIS STREAMLINING PER D.RENAUD/D.SINISI



SECTION B - B

|   | FINISH   | MATERIAL | AMP P/N         |
|---|----------|----------|-----------------|
| 3 | OBSOLETE | TIN      | PH BRZ 156503-4 |
| 3 | OBSOLETE | N O N E  | PH BRZ 156503-3 |
|   |          | TIN      | BRASS 156503-2  |
| 3 | OBSOLETE | N O N E  | BRASS 156503-1  |

|  |  |                          |  |                 |
|--|--|--------------------------|--|-----------------|
| THIS DRAWING IS A CONTROLLED DOCUMENT. |  | DWN R FLAIG 19SEP02      | <b>STE</b> TE Connectivity                 |                 |
| DIMENSIONS: INCHES                     |  | CHK N DEIBERT 19SEP2002  |  |                 |
| TOLERANCES UNLESS OTHERWISE SPECIFIED: |  | APVD N DEIBERT 19SEP2002 | NAME 250 SERIES FASTIN - FASTON RECEPTACLE |                 |
| 0 PLC ± -                              |  | PRODUCT SPEC             | -  |                 |
| 1 PLC ± -                              |  | APPLICATION SPEC         | -  |                 |
| 2 PLC ± -                              |  | WEIGHT -                 | SIZE A3                                    | CAGE CODE 00779 |
| 3 PLC ± -                              |  | MATERIAL SEE TABLE       | DRAWING NO C-156503                        | RESTRICTED TO - |
| 4 PLC ± -                              |  |                          | CUSTOMER DRAWING                           |                 |
| ANGLES ± -                             |  | SCALE 1:1                |  |                 |
| FINISH SEE TABLE                       |  | SHEET 1 OF 1             |  |                 |
|  |  | REV H2                   |  |                 |

单击下面可查看定价，库存，交付和生命周期等信息

[>>TE Connectivity\(泰科\)](#)