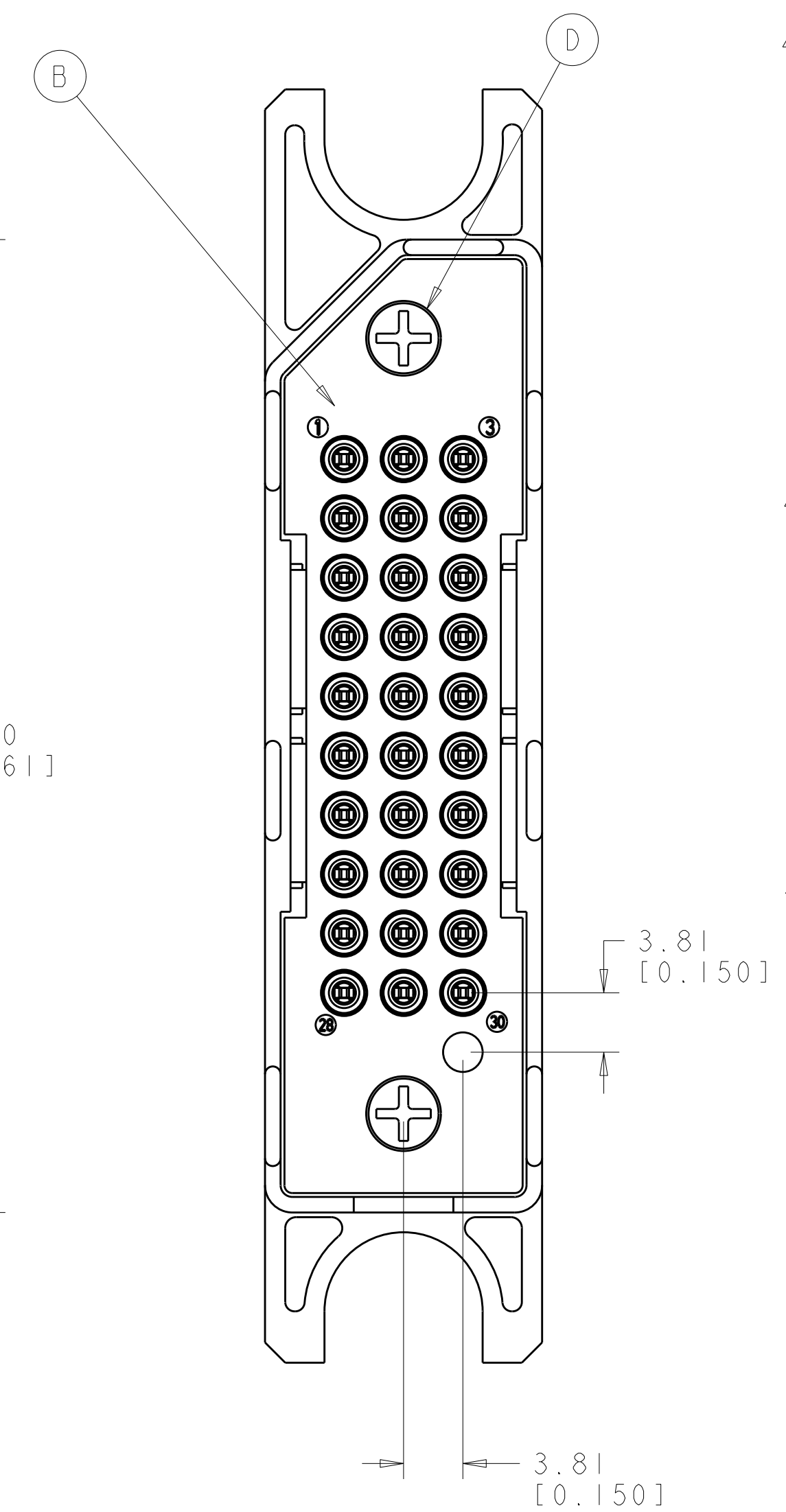
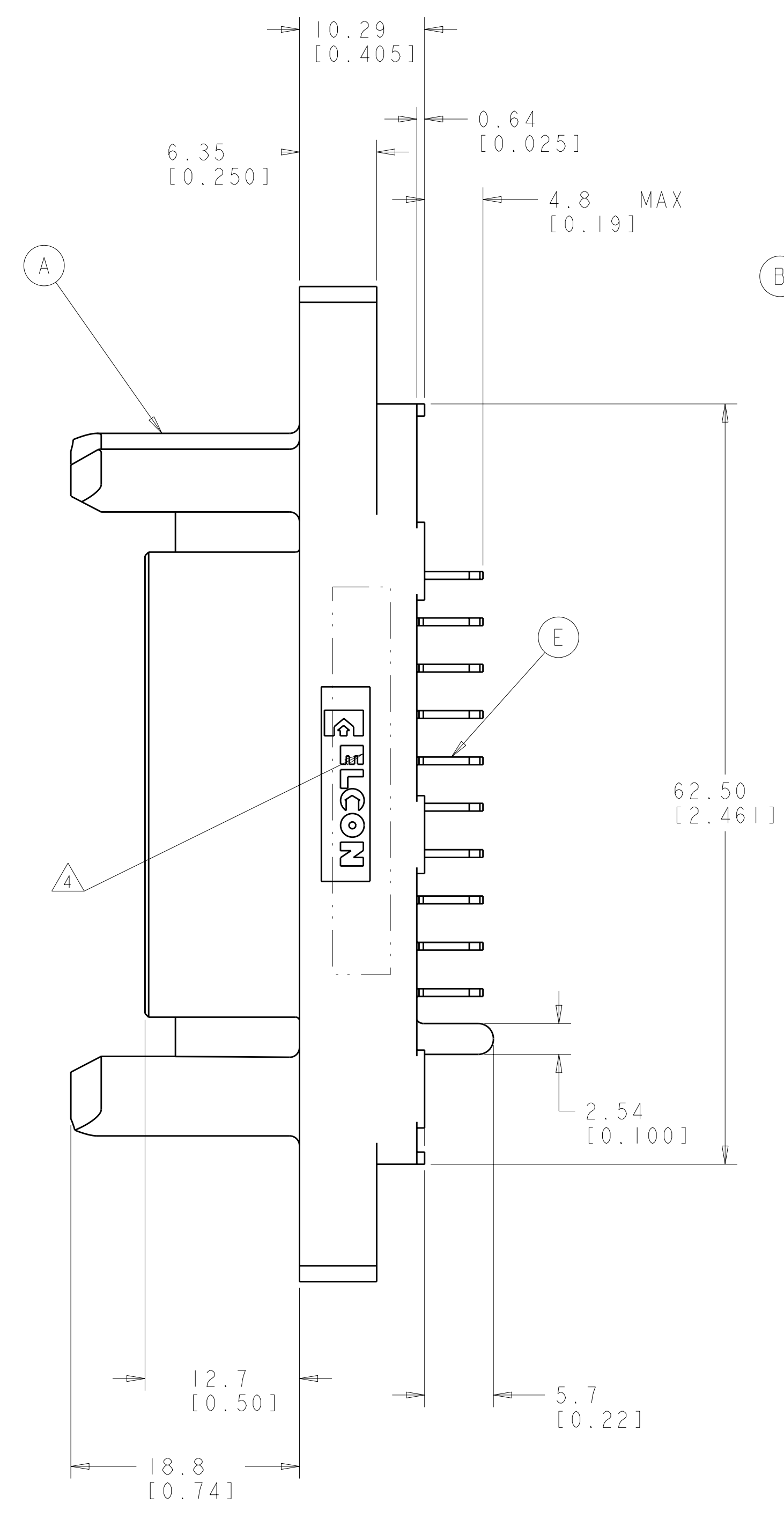
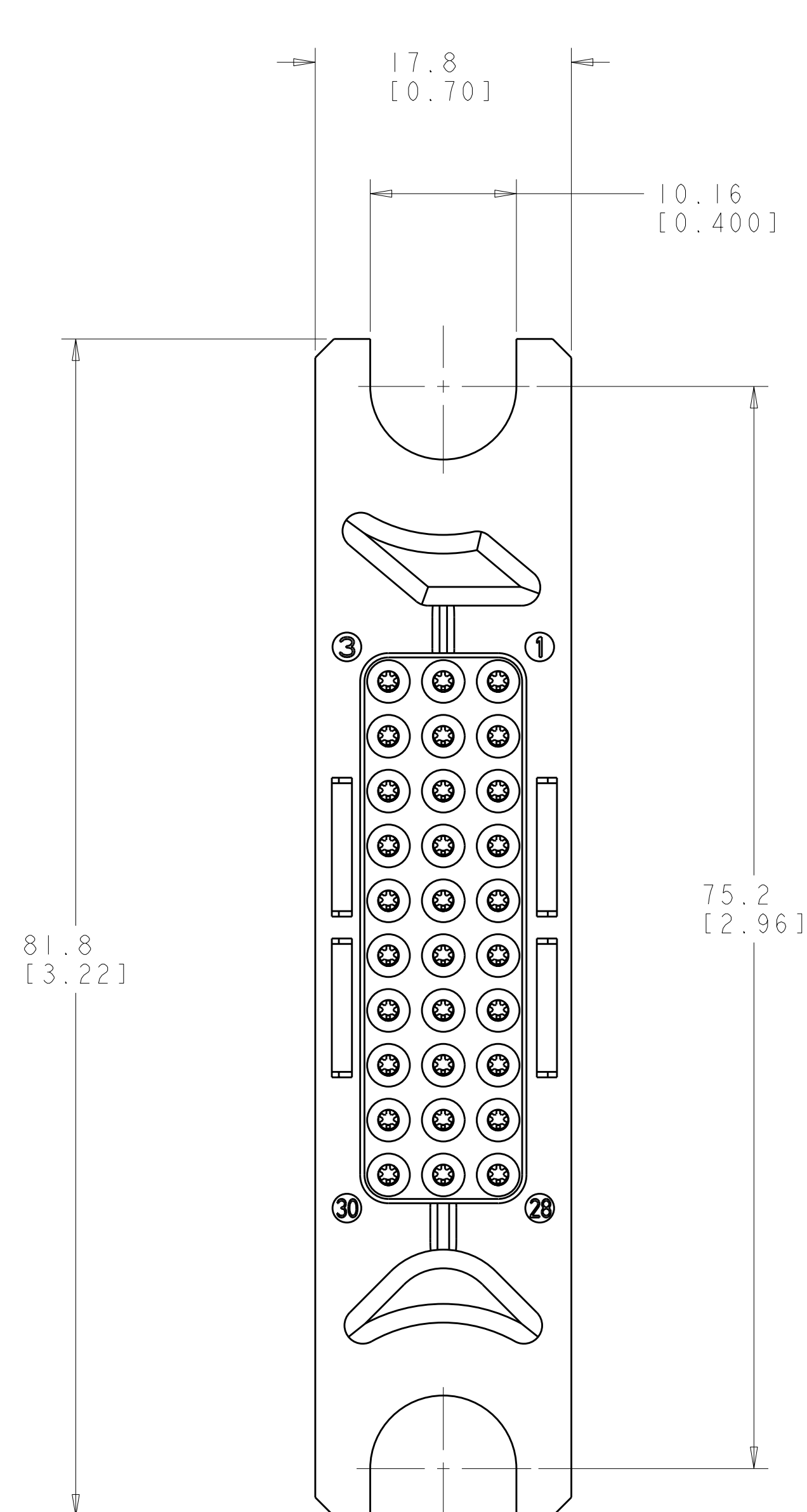


LOC	DIST	REVISIONS			
GP	00	REV	DATE	BY	APPD
		A	RELEASED	8NOV2011	RG DO



1. PART NUMBER CHANGES AND OR DESIGN CHANGES AFFECTING THE INTERCHANGEABILITY REQUIRE PRIOR TYCO APPROVAL AND AUTHORIZATION BY REVISION TO THIS DRAWING.

2. MATERIAL:  
 INSULATOR: THERMOPLASTIC, GLASS REINFORCED, FLAMMABILITY RATED, COLOR: BLACK  
 CONTACT: COPPER ALLOY  
 COMPLIANT TAIL: COPPER ALLOY  
 CROWN BANDS: BERYLLIUM COPPER  
 RETENTION CLIPS: BERYLLIUM COPPER OR STAINLESS STEEL

3. FINISH:  
 CONTACT: GOLD .000010 MIN THK. OVER NICKEL  
 .000040 MIN THK.  
 COMPLIANT: TIN .000040 MIN THK.  
 CROWN BAND: GOLD .000030 MIN THK. OVER NICKEL .00040 MIN THK.

4. ITEMS PROVIDED TO THIS SPECIFICATION TO BE PERMANENTLY IDENTIFIED PER THE FOLLOWING IDENTIFIER:  
 YEAR WEEK  
 TYCO PART NUMBER DATE CODE (e.g. 0216)  
 XXXXXXXX-X XXXX

5. COMPLIANT TAIL CONTACTS ARE INSERTABLE/ NON-REMOVABLE (ITEM E).

6. THIS CONNECTOR MATES WITH PIN CONNECTOR PN 1648742-1.

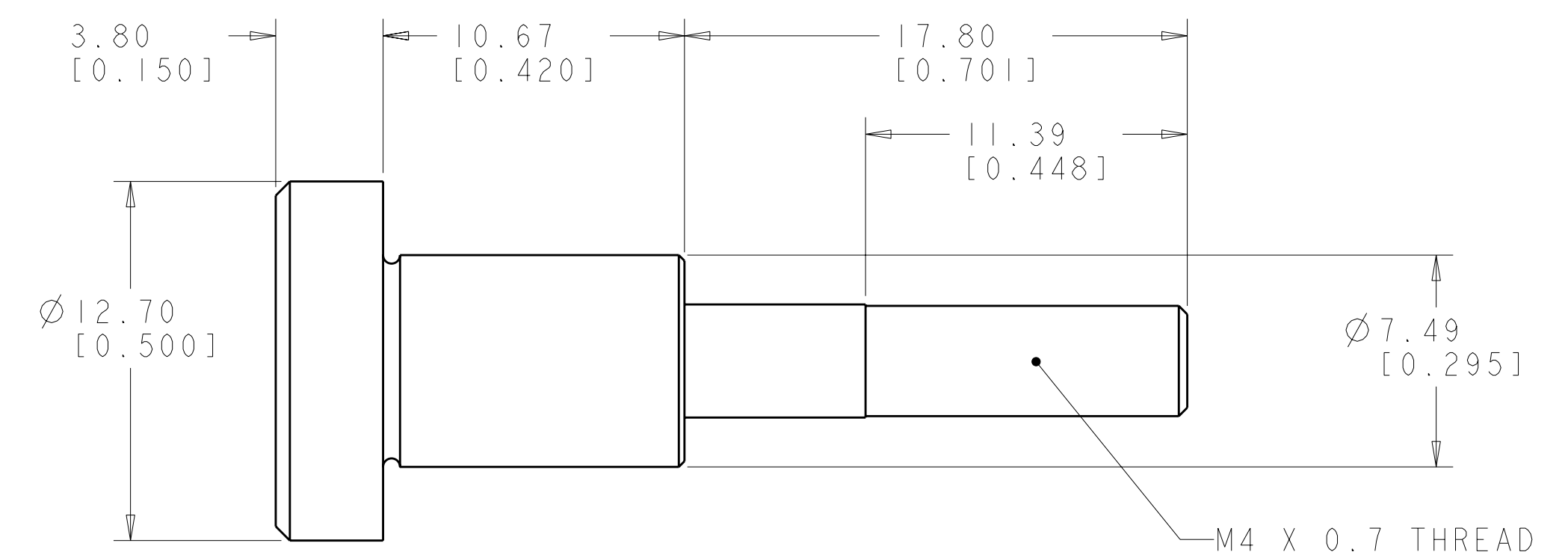
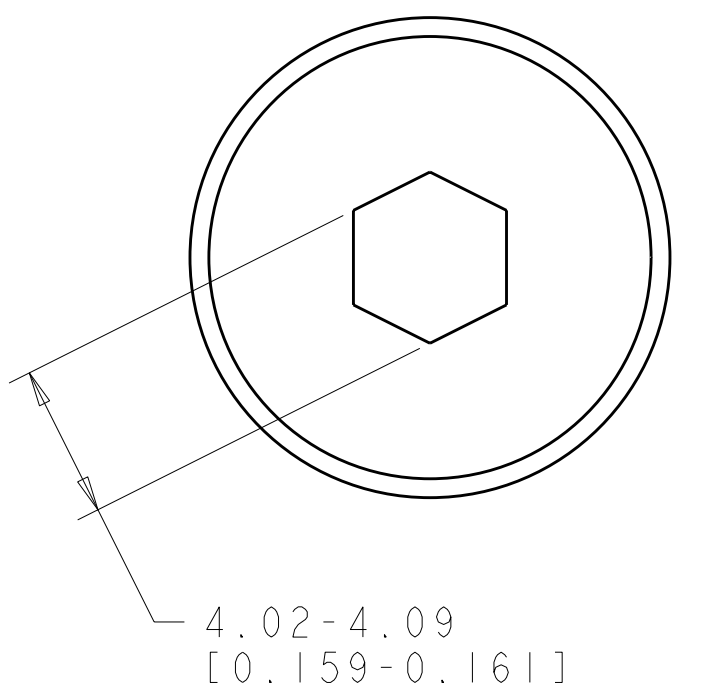
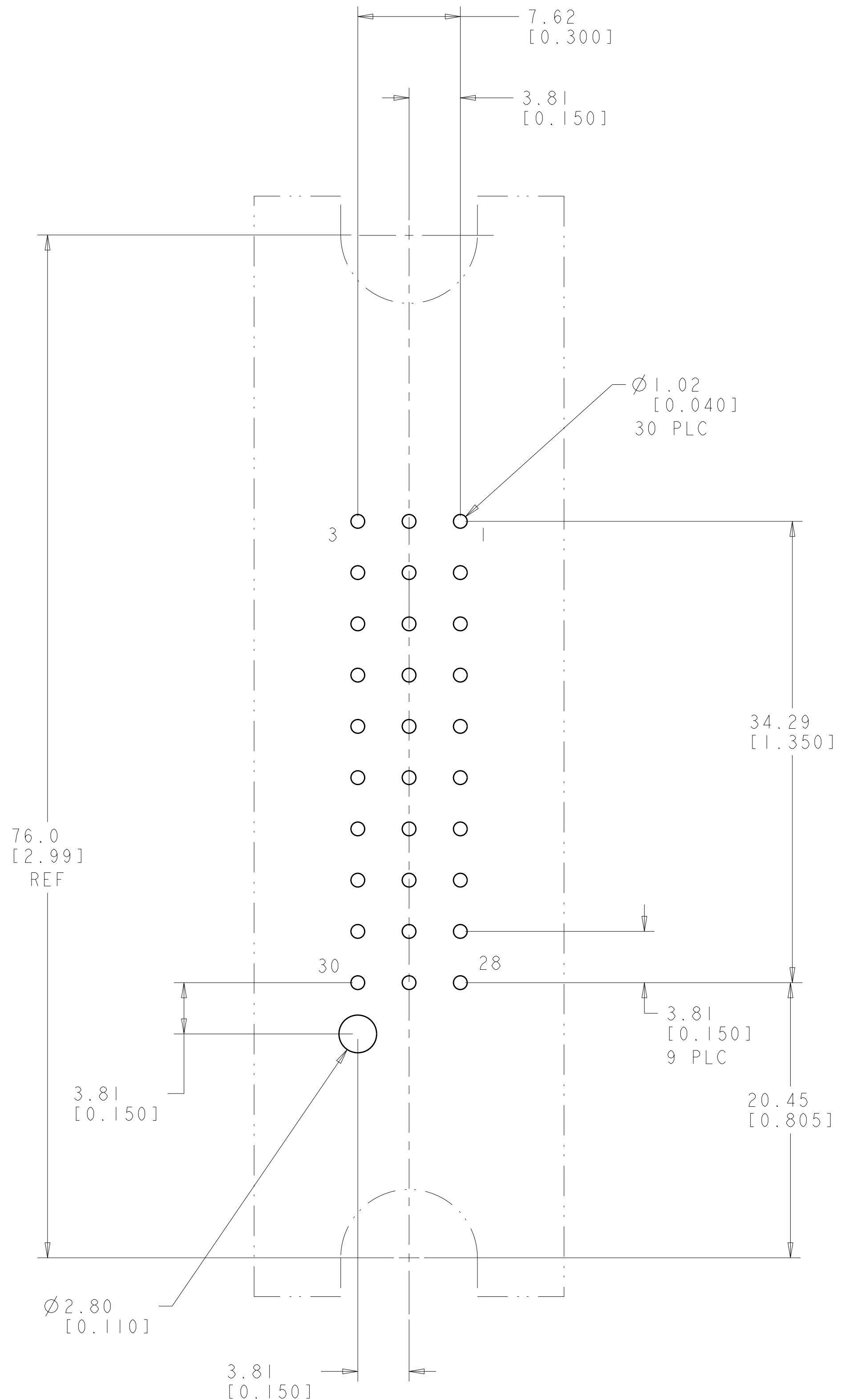
7. MOUNTING HARDWARE: SHOULDER SCREW REF. TYCO 1650597-1 TO BE ORDERED SEPARATELY. SHOWN FOR REFERENCE ONLY.

ITEM NO.	PART NUMBER	DESCRIPTION	ITEM NO.
30	6648301-1	SA CONTACT, SOCKET, #20, COMPLIANT	E
2	1766841-1	SCREW, SELF TAPPING, Ø2.5X10.00mm LG.	D
30	1650484-1	RETENTION CLIP, #20	C
1	1648753-1	HOUSING, SOCKET, REAR INSERT	B
1	1648752-1	HOUSING, SOCKET, FRONT	A

ELCON MINI DRAWER

THIS DRAWING IS A CONTROLLED DOCUMENT.		DWN R. GRZYBOWSKI 8NOV2011	TE Connectivity CONNECTOR, SOCKET, COMPLIANT TAIL 30 POSN. MINI DRAWER
DIMENSIONS: mm [INCHES]		CHK D. ORRIS 8NOV2011	
TOLERANCES UNLESS OTHERWISE SPECIFIED:		APVD D. ORRIS 8NOV2011	NAME
9 PLC ±.5 (1.02)		PRODUCT SPEC	SIZE CAGE CODE DRAWING NO. RESTRICTED TO
3 PLC ±.25 (1.010)		APPLICATION SPEC	A100779C=2085910
4 PLC ±.		WEIGHT	SCALE 3:1 SHEET 1 OF 2 REV A
ANGLES #2		CUSTOMER DRAWING	

LOC	DIST	REV	DATE	OWN	APVD
GP	00				
		SEE SHEET 1			



**SHOULDER SCREW**  
 P/N 1650597-1  
 SCALE 5:1

**PRINTED CIRCUIT BOARD LAYOUT**  
 COMPONENT SIDE

HOLE SIZE #20  
 FINISH HOLE:  $\phi 1.02 \pm 0.08$  [ $\phi .040 \pm .003$ ]  
 DRILLED HOLE  $\phi 1.151 \pm 0.013$  [ $\phi 0.453 \pm .0005$ ]  
 COPPER PLATE: .025 [.010] MIN  
 TIN-LEAD PLATE: .008 [.0003] MIN.

THIS DRAWING IS A CONTROLLED DOCUMENT.		DWN R. GRZYBOWSKI 8NOV2011	<b>STE</b> TE Connectivity
DIMENSIONS: mm [INCHES]		CHK D. ORRIS 8NOV2011	
TOLERANCES UNLESS OTHERWISE SPECIFIED:		APVD D. ORRIS 8NOV2011	NAME <b>CONNECTOR, SOCKET, COMPLIANT TAIL 30 POSN. MINI DRAWER</b>
9 PLC ± .1	1 PLC ± .5 (.02)	PRODUCT SPEC	
2 PLC ± .25 (.010)	5 PLC ± .25 (.010)	APPLICATION SPEC	
4 PLC ± .2	ANGLES ± .1	FINISH #2	
MATERIAL	FINISH	WEIGHT	RESTRICTED TO
			SIZE CAGE CODE DRAWING NO A100779C-2085910
CUSTOMER DRAWING			SCALE 3:1 SHEET 2 OF 2 REV A

单击下面可查看定价，库存，交付和生命周期等信息

[>>TE Connectivity\(泰科\)](#)