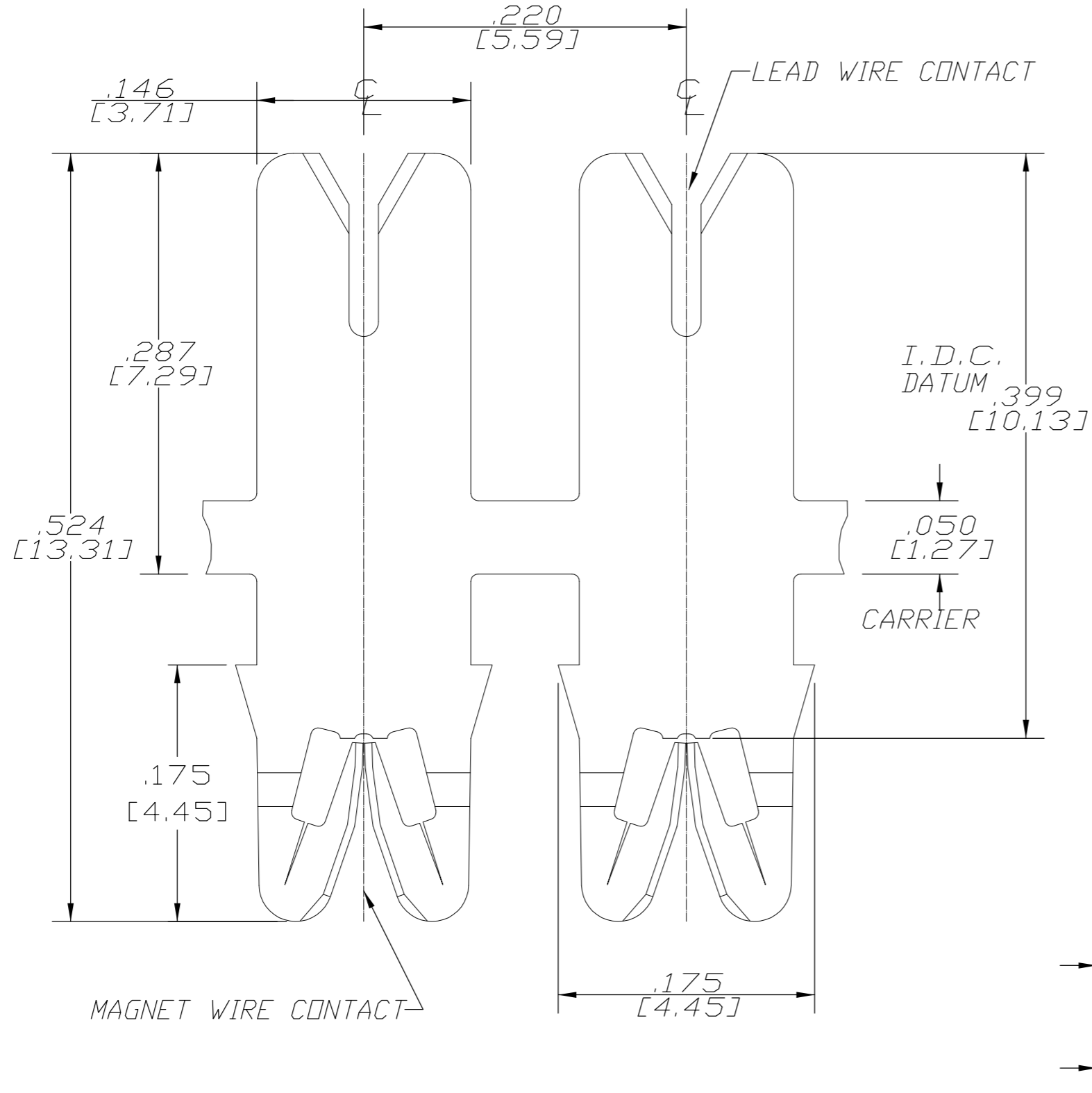
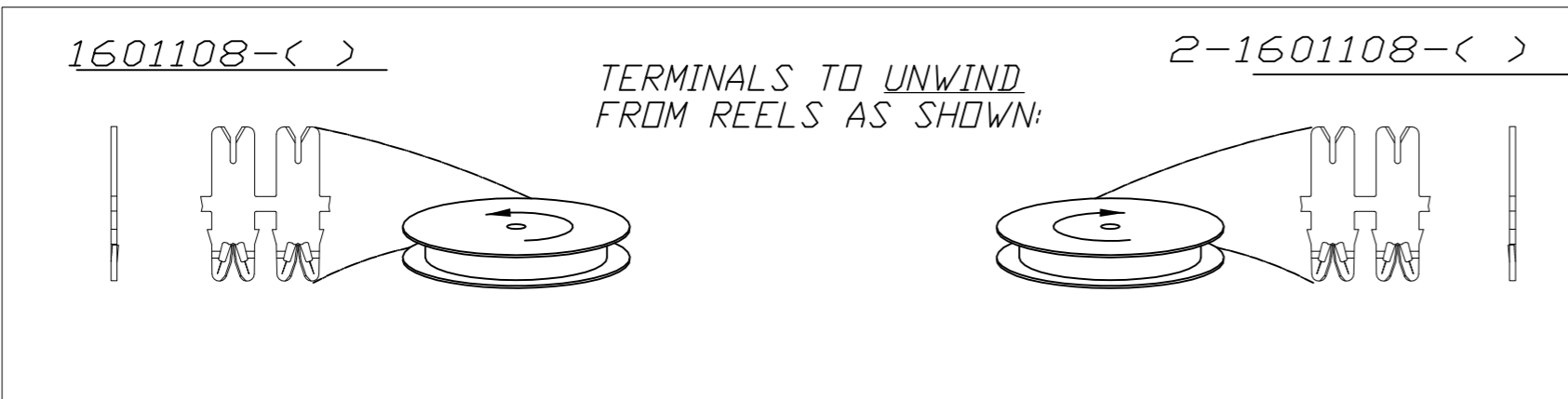
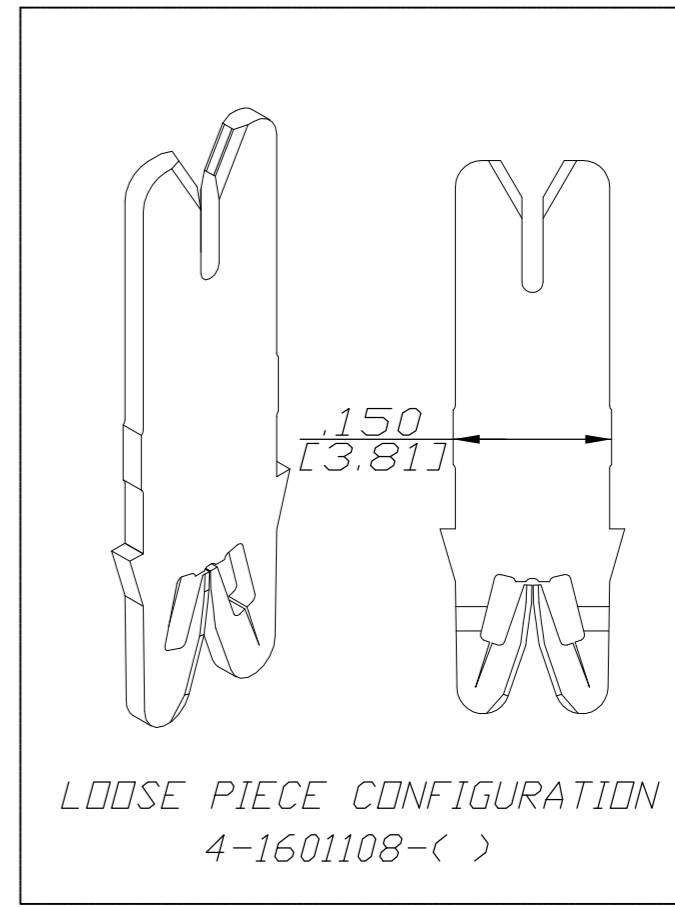


THIS DRAWING IS UNPUBLISHED. RELEASED FOR PUBLICATION  
 © COPYRIGHT BY TYCO ELECTRONICS CORPORATION. ALL RIGHTS RESERVED.

LOC	DIST	REVISIONS					
AF	50	P	LTR	DESCRIPTION	DATE	DWN	APVD
		C		REV PER 0G3H-0076-04	23MAR04	JR	KR
		C1		REVISED PER ECO-09-024606	28OCT09	KK	AEG



- SPECIFICATIONS:**  
 MAGNET WIRE #18 - #34 AWG,  
 .040" (1.02mm) - .006" (0.16mm) DIA.  
 OTHER SIZES MAY BE ACCOMMODATED,  
 CONSULT TYCO ELECTRONICS FOR APPROVAL.  
 LEAD WIRE #20 AWG,  
 INSULATED LEAD WIRE.  
 MAX INSULATION O.D. .115" (2.9MM)  
 NO STRIPPING REQUIRED. OTHER  
 SIZES MAY BE ACCOMMODATED,  
 CONSULT TYCO ELECTRONICS FOR APPROVAL.
- POCKET RECOMMENDATION:**  
 CONSULT TYCO ELECTRONICS  
 FOR POCKET RECOMMENDATIONS.
- OBSOLETE PARTS:** OBSOLETE CIS STREAMLINING  
 PER D.RENAUD/D.SINISI



3  
OBSOLETE

-	-	-
-	-	-
-	-	-
Unplated	031-179-000	-4-1601108-1
Unplated	131-180-000	-2-1601108-1
Unplated	131-179-000	1601108-1
FINISH	REFERENCE PART NUMBER	TYCO PART NUMBER
THIS DRAWING IS A CONTROLLED DOCUMENT.		
DIMENSIONS: INCHES	TOLERANCES UNLESS OTHERWISE SPECIFIED:	DWN J.WELLER 11JAN2002
	0 PLC ± -	CHK M.FEHER 11JAN2002
	1 PLC ± -	APVD K.RANDOLPH 11JAN2002
	2 PLC ± .01[0.25]	NAME
	3 PLC ± .005[0.13]	PRODUCT SPEC
	4 PLC ± -	108-2085
	ANGLES ± 2°	APPLICATION SPEC
MATERIAL BRASS, SPRING HARD	FINISH SEE TABLE	408-8629
		WEIGHT -
		SIZE A2
		CAGE CODE 00779
		DRAWING NO C-1601108
		RESTRICTED TO -
		CUSTOMER DRAWING
		SCALE 11:1 SHEET 1 OF 1 REV C1

单击下面可查看定价，库存，交付和生命周期等信息

[>>TE Connectivity\(泰科\)](#)