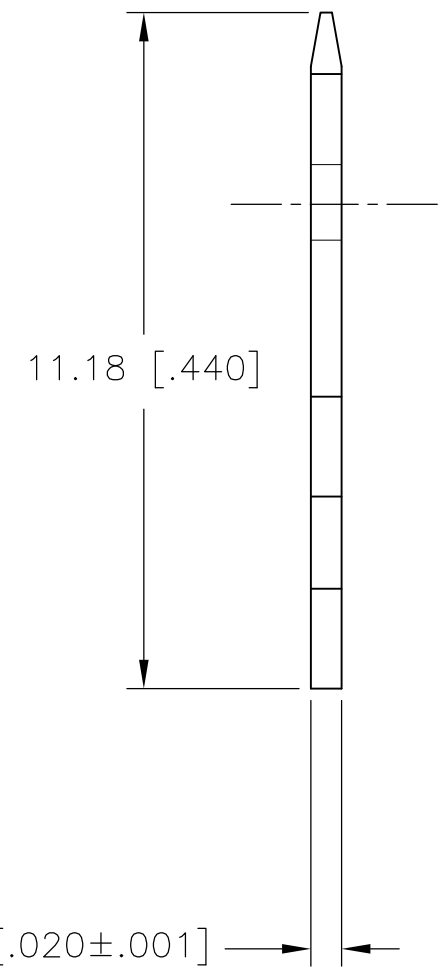
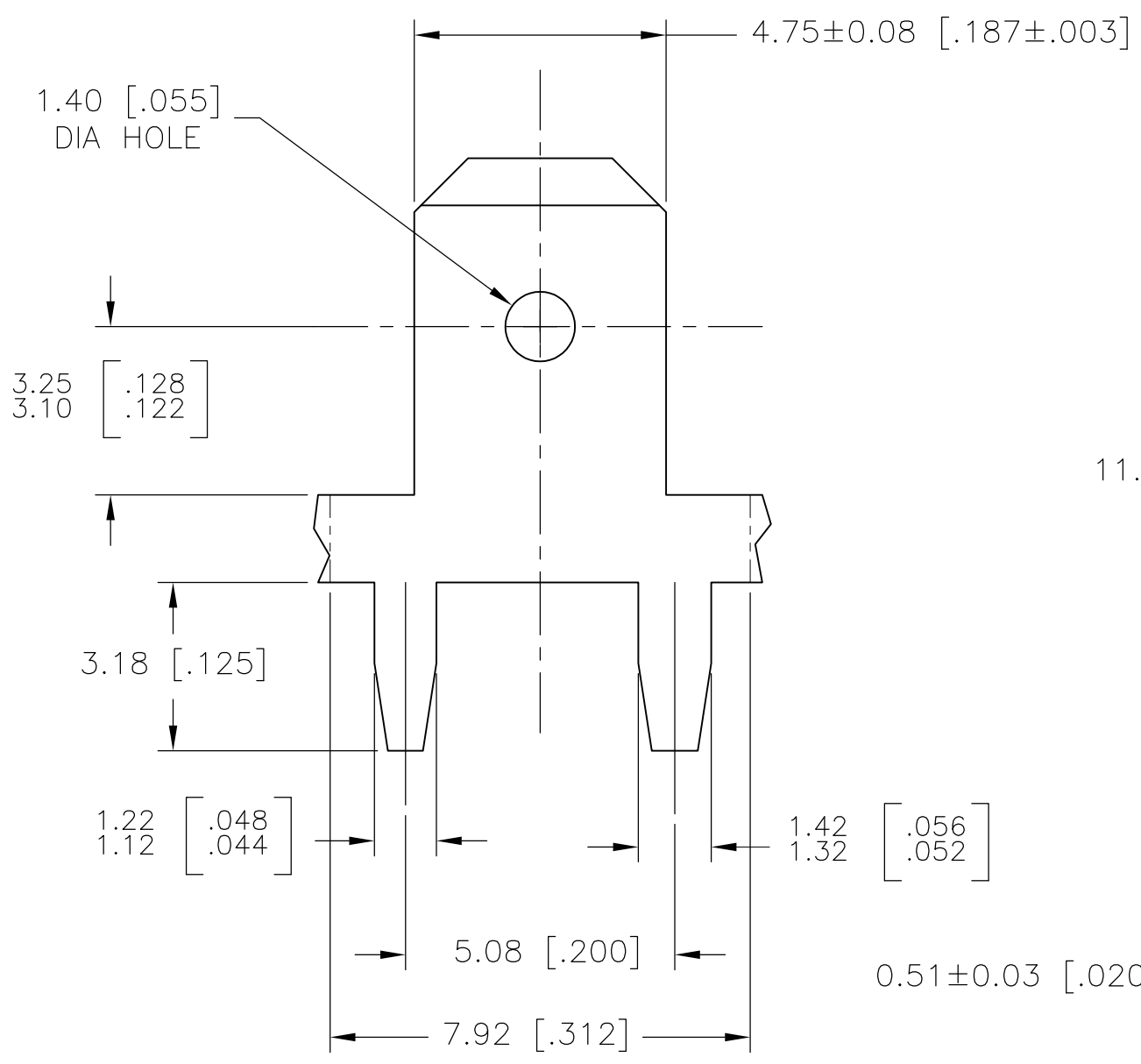
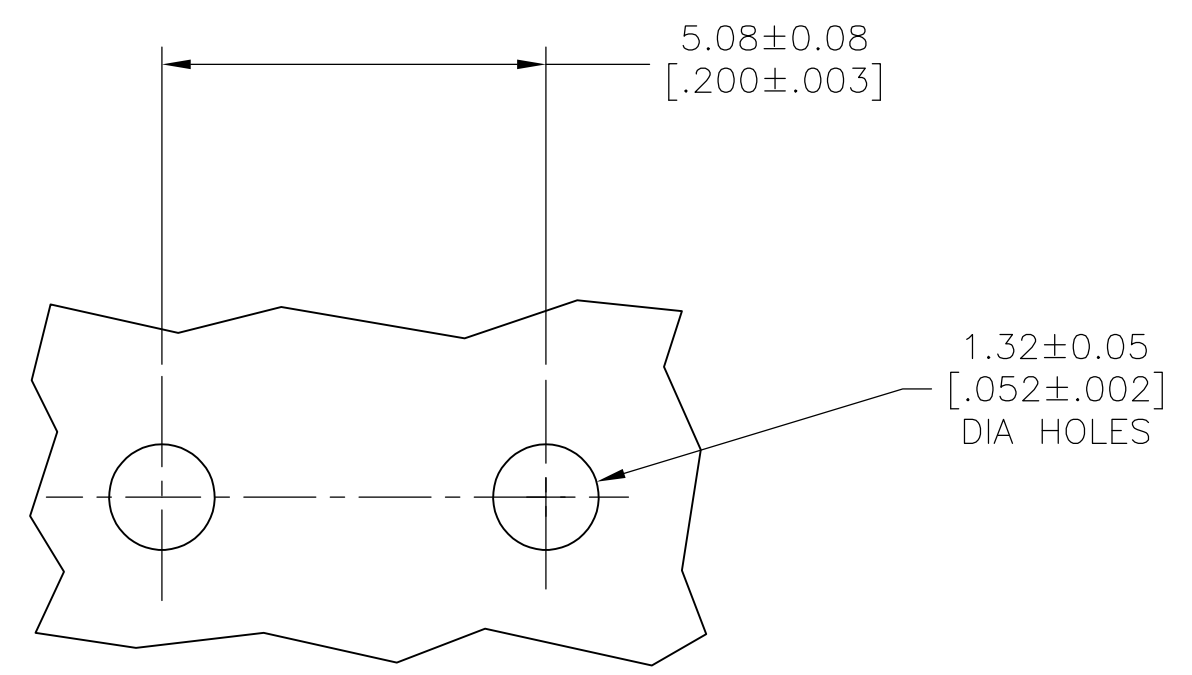


THIS DRAWING IS UNPUBLISHED. RELEASED FOR PUBLICATION  
 © COPYRIGHT - By - ALL RIGHTS RESERVED.

LOC	DIST	REVISIONS					
AF	50	P	LTR	DESCRIPTION	DATE	DWN	APVD
		F		REVISED PER ECR-13-011489	29NOV2013	KH	PD



1 CONTINUOUS STRIP ON REELS.  
 △2 0.00381 [.000150] MIN TIN OVER  
 0.00254 [.000100] MIN THK COPPER.



P.C. BOARD HOLES  
 SCALE 10:1

63838-1  
 PART NUMBER

THIS DRAWING IS A CONTROLLED DOCUMENT.		DWN	JR RUTH	30NOV00	TE Connectivity NAME TAB, FASTON, PC BOARD, 4.75 [.187] SERIES									
DIMENSIONS: mm [INCHES]		CHK	MS FEHER	30NOV00										
TOLERANCES UNLESS OTHERWISE SPECIFIED:		APVD	G PORTA	30NOV00										
0 PLC ± - 1 PLC ± - 2 PLC ± 0.25 [.010] 3 PLC ± - 4 PLC ± - ANGLES ± -		PRODUCT SPEC	-	-										
MATERIAL	BRASS	FINISH	TIN OVER COPPER		APPLICATION SPEC	114-2112	SIZE	A3	CAGE CODE	00779	DRAWING NO	C-63838	RESTRICTED TO	-
CUSTOMER DRAWING					WEIGHT	-	SCALE	8:1	SHEET	1 OF 1	REV	F		

单击下面可查看定价，库存，交付和生命周期等信息

[>>TE Connectivity\(泰科\)](#)