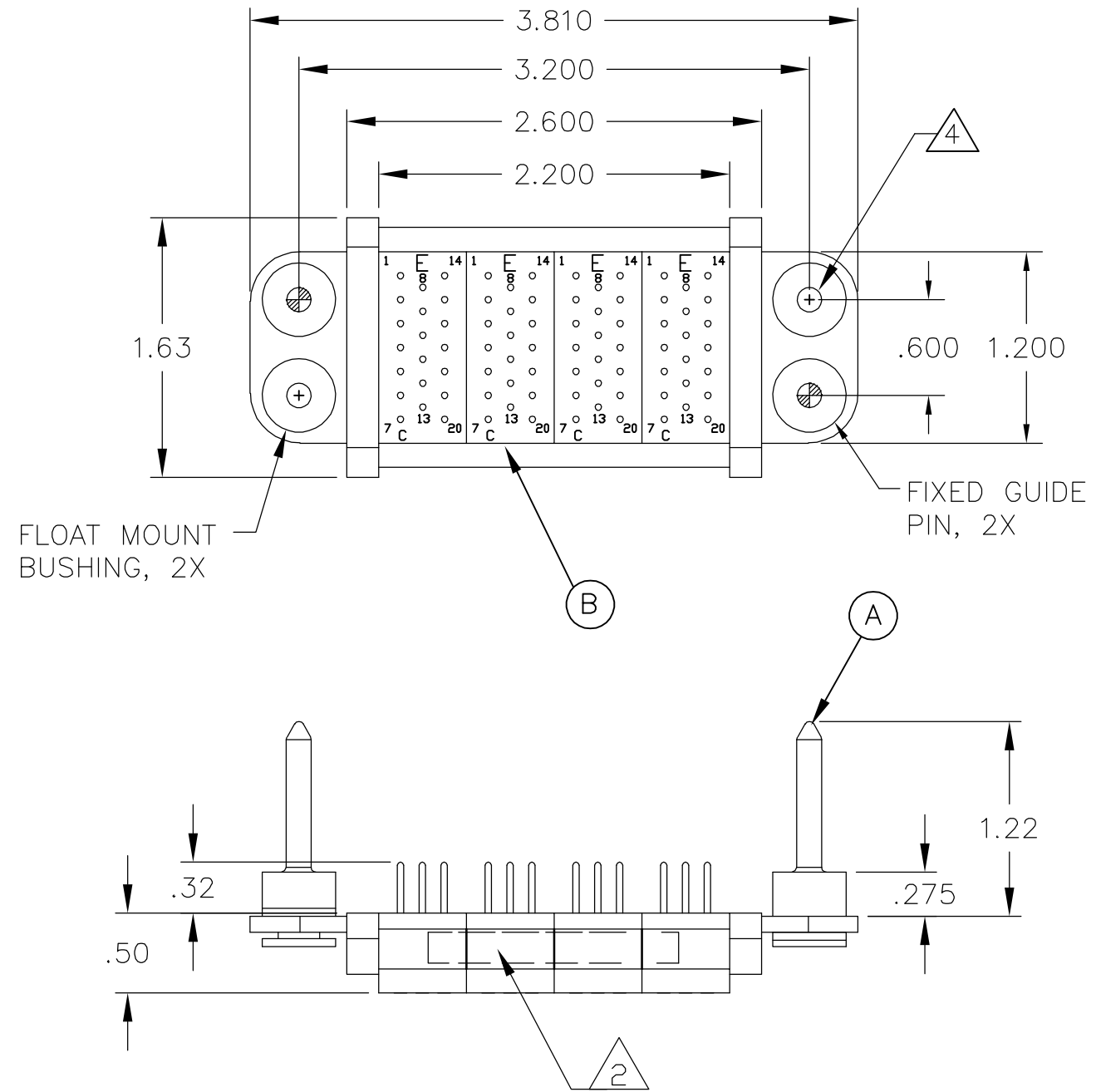


THIS DRAWING IS UNPUBLISHED. RELEASED FOR PUBLICATION
 © COPYRIGHT - BY TYCO ELECTRONICS CORPORATION. ALL RIGHTS RESERVED.

LOC	DIST	REVISIONS					
GP	00	P	LTR	DESCRIPTION	DATE	DWN	APVD
			A	NEW RELEASE	5MAR07	RG	DO



1. PART NUMBER CHANGES AND/OR DESIGN CHANGES AFFECTING ITEM INTERCHANGEABILITY REQUIRE PRIOR TYCO APPROVAL AND AUTHORIZATION BY REVISION TO THIS DRAWING.

2. ITEMS PROVIDED TO THIS SPECIFICATION TO BE PERMANENTLY IDENTIFIED PER THE FOLLOWING IDENTIFIER:

YEAR WEEK
 TYCO PART NUMBER DATE CODE (e.g. 0212)
 XXXXXXXX-X XXXX

3. MODULES NOTED ARE CRIMP REMOVABLE STYLE. REMOVABLE CONTACTS (ITEM C) WILL BE PACKAGED AND SHIPPED LOOSE WITH THE CONNECTOR ASSEMBLY.

4. MOUNTING FLANGE BUSHINGS ACCEPT 6/32 SCREW (.156 DIA. CLEARANCE HOLE, FLOAT MOUNT) OR 8/32 SCREW (.173 DIA. CLEARANCE HOLE, FLOAT MOUNT), USER SUPPLIED.

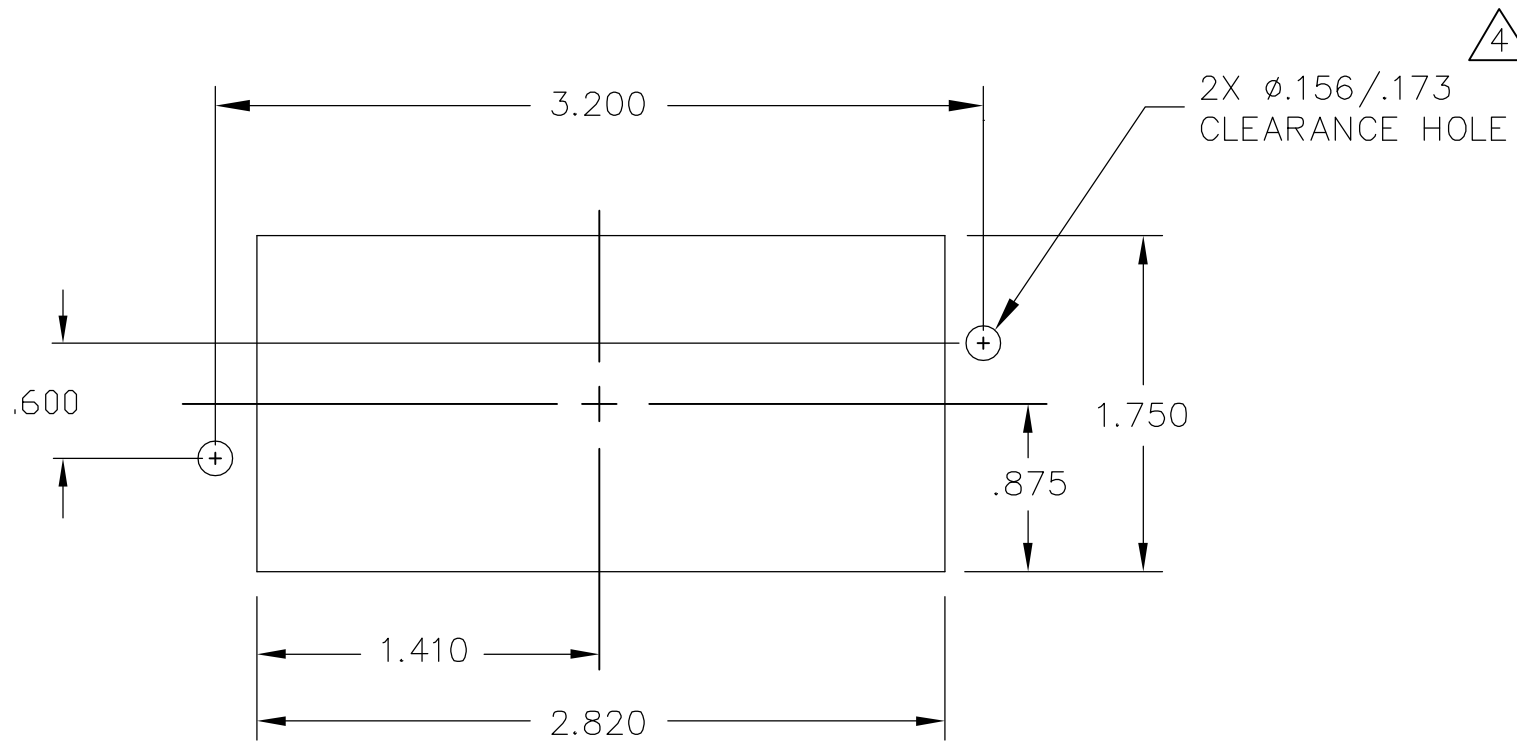
5. THIS CONNECTOR MATES WITH SOCKET CONN. TYCO PN 6646167-1

3	80	1650155-1	PIN CONTACT, SIZE #20, CRIMP	C
	4	1648463-1	MODULE C	B
	2	6648251-1	END CAP, GUIDE PIN, FLOAT	A
	-1	PART NUMBER	DESCRIPTION	ITEM

THIS DRAWING IS A CONTROLLED DOCUMENT.		DWN R.GRZYBOWSKI 05MAR2007	Tyco Electronics Corporation Harrisburg, PA 17105-3608	
DIMENSIONS: INCHES		CHK D.ORRIS 5MAR07	NAME S.FLICKINGER 5MAR07	
TOLERANCES UNLESS OTHERWISE SPECIFIED:		PRODUCT SPEC -		
MATERIAL		APPLICATION SPEC -		
FINISH		SIZE A3		
		CAGE CODE 00779		
		DRAWING NO C-6646166		
		RESTRICTED TO -		
		CUSTOMER DRAWING		
		SCALE 1:1		
		SHEET 1 OF 2		
		REV A		

THIS DRAWING IS UNPUBLISHED. RELEASED FOR PUBLICATION
 © COPYRIGHT - BY TYCO ELECTRONICS CORPORATION. ALL RIGHTS RESERVED.

LOC		DIST		REVISIONS			
GP	00	P	LTR	DESCRIPTION	DATE	DWN	APVD
		-		SEE SHEET 1	-	-	-



PIN PANEL MOUNT CUTOUT
 SCALE: NONE

THIS DRAWING IS A CONTROLLED DOCUMENT.		DWN R.GRZYBOWSKI 05MAR2007	Tyco Electronics Corporation Harrisburg, PA 17105-3608	
DIMENSIONS: INCHES		CHK D.ORRIS 5MAR07	NAME	
		APVD S.FLICKINGER 5MAR07	PIN CONNECTOR DOMINO W/ PANEL CUT-OUT	
TOLERANCES UNLESS OTHERWISE SPECIFIED:		PRODUCT SPEC	SIZE	CAGE CODE
0 PLC	± -	APPLICATION SPEC	A3	00779
1 PLC	± -	WEIGHT	DRAWING NO	
2 PLC	± .02		C-6646166	
3 PLC	± .010		RESTRICTED TO	
4 PLC	± -			
ANGLES	± 5			
MATERIAL	FINISH			
-	-			
CUSTOMER DRAWING			SCALE	SHEET
			1:1	2 OF 2
			REV	A

单击下面可查看定价，库存，交付和生命周期等信息

[>>TE Connectivity\(泰科\)](#)