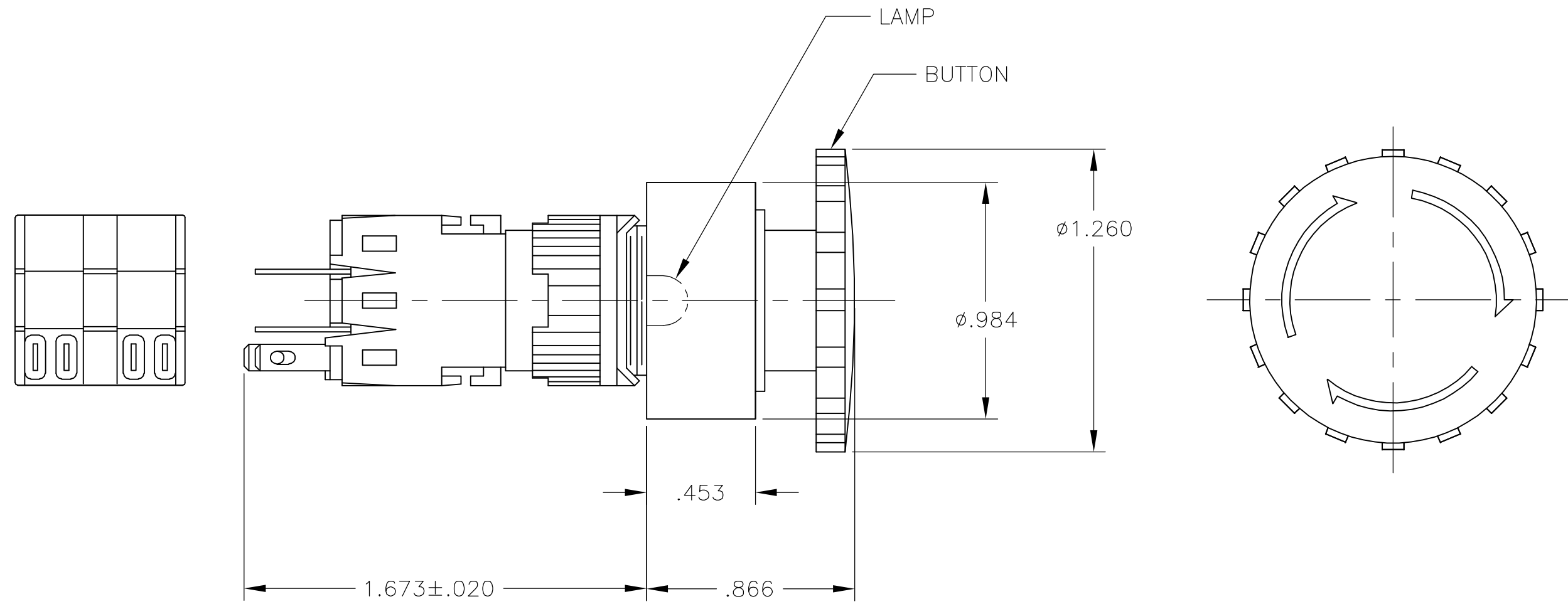


THIS DRAWING IS UNPUBLISHED. RELEASED FOR PUBLICATION  
 © COPYRIGHT BY TYCO ELECTRONICS CORPORATION. ALL RIGHTS RESERVED.

LOC		DIST		REVISIONS			
P	LTR	DESCRIPTION	DATE	DWN	APVD		
AD	00	A	ECO-06-19196	10AUG06	MB	MS	



**SPECIFICATIONS:**

**MATERIALS:**

MOVEABLE CONTACT: COPPER ALLOY, GOLD PLATE OVER SILVER CLAD.  
 FIXED CONTACT: COPPER ALLOY, GOLD PLATE OVER SILVER CLAD.

**ELECTRICAL:**

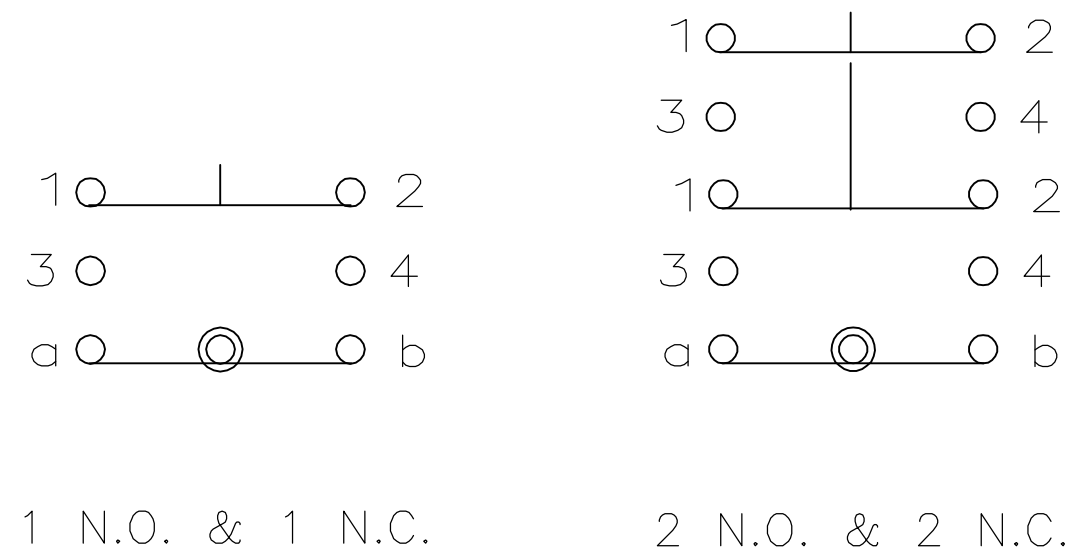
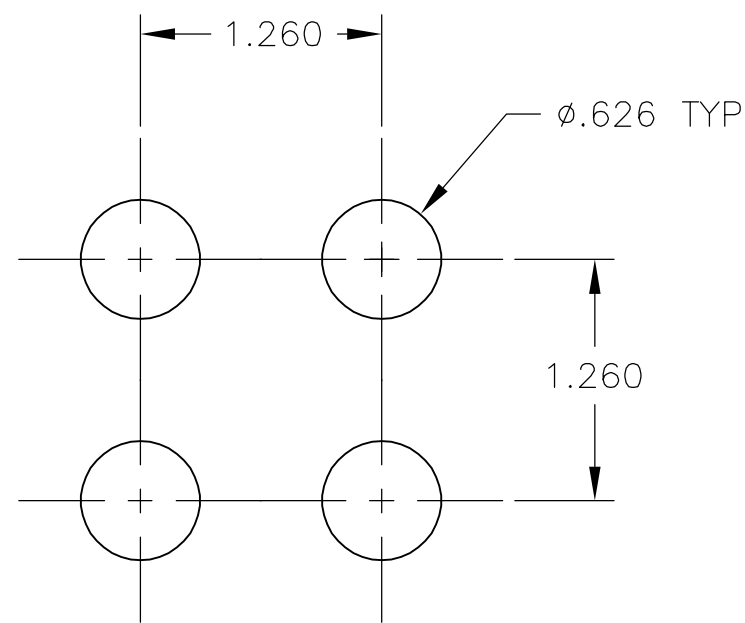
CONTACT RATING: 0.4VA @ 20VDC OR PEAK AC.  
 5 AMPS @ 250VAC OR 24VDC (RESISTANCE).  
 INITIAL CONTACT RESISTANCE: 20 MILLIOHMS MAX  
 INSULATION RESISTANCE: 100 MEGOHMS MINIMUM  
 DIELECTRIC STRENGTH: 1500 VOLTS RMS @ SEA LEVEL  
 LIFE EXPECTANCY: 100,000 OPERATIONS AT RATED CURRENT

**ENVIRONMENTAL:**

OPERATING TEMPERATURE: -4 F TO 122 F  
 (-20 C TO 50 C)  
 STORAGE TEMPERATURE: -4 F TO 122 F  
 (-20 C TO 50 C)

**NOTES:**

- ALL MATERIALS AND FINISHES SHALL COMPLY WITH EU DIRECTIVE 2002/95/EC OF 27JAN2003 (ROHS)
- OILTIGHT MODEL MEETS NEMA 1, 12, 13 REQUIREMENTS
- UL RECOGNIZED E-51302
- PANEL THICKNESS: .197 MAX



**CONTACT DIAGRAM**  
 (BUTTON NOT DEPRESSED)

**PANEL CUTOUT**  
 TOLERANCE +/- .002  
 SCALE 1:1

ACTION	CONTACTS	LED COLOR	TYCO PT. NO.
PUSH ON/TWIST OFF	2 N.O. & 2 N.C.	RED	1825207-2
PUSH ON/TWIST OFF	1 N.O. & 1 N.C.	RED	1825207-1

THIS DRAWING IS A CONTROLLED DOCUMENT.		DWN R BROWN 25APR05	Tyco Electronics Corporation Harrisburg, Pa 17105-3608	
DIMENSIONS: INCHES		CHK M SARVER 25APR05		
TOLERANCES UNLESS OTHERWISE SPECIFIED:		APVD M SARVER 25APR05	NAME ILLUMINATED PUSHBUTTON MUSHROOM HEAD	
0 PLC ± - 1 PLC ± - 2 PLC ± - 3 PLC ± .010 4 PLC ± - ANGLES ± - FINISH -		PRODUCT SPEC -	APPLICATION SPEC -	RESTRICTED TO -
MATERIAL -		WEIGHT -	SIZE A2	CAGE CODE 00779
		CUSTOMER DRAWING	DRAWING NO C=1825207	SCALE 2:1
			SHEET 1	OF 1
			REV A	

单击下面可查看定价，库存，交付和生命周期等信息

[>>TE Connectivity\(泰科\)](#)