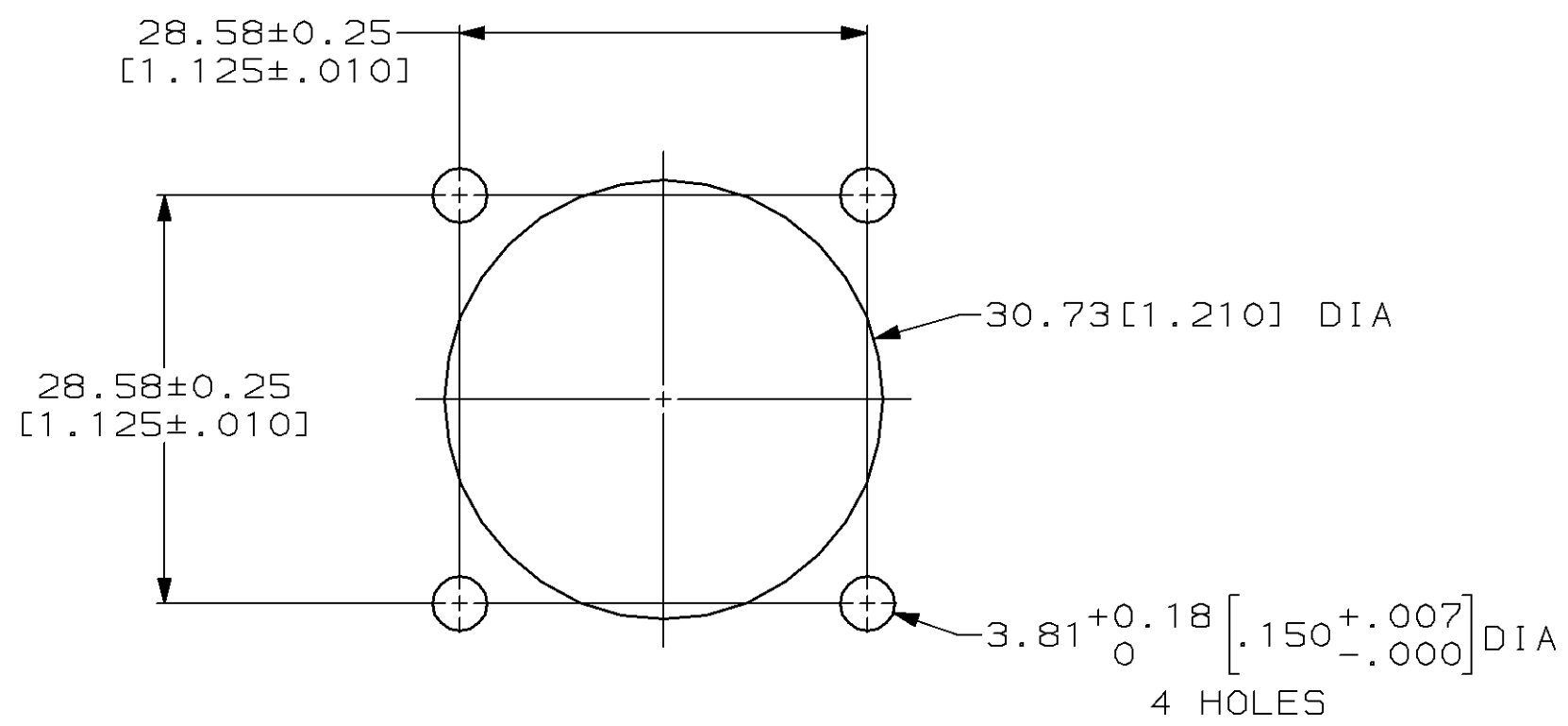
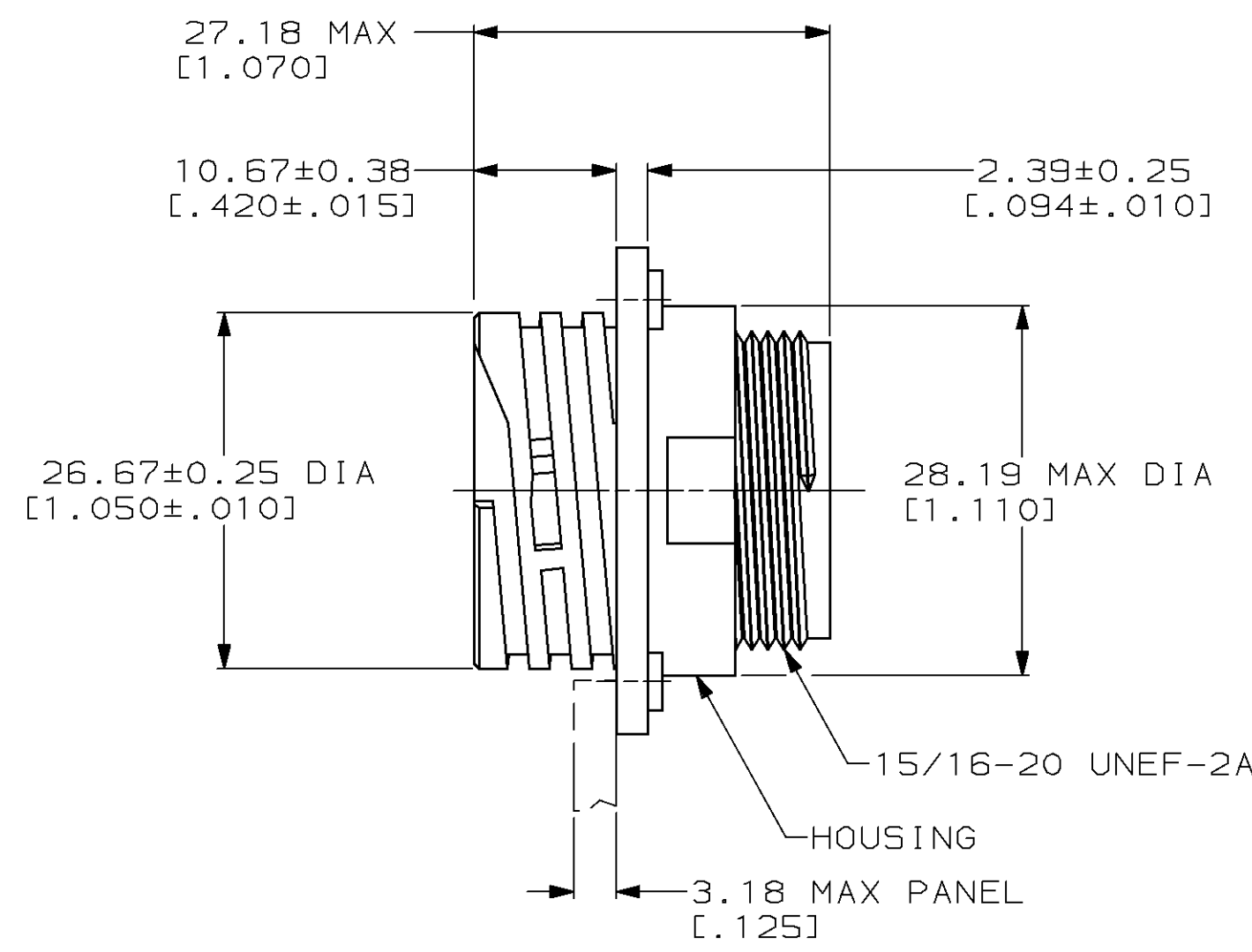
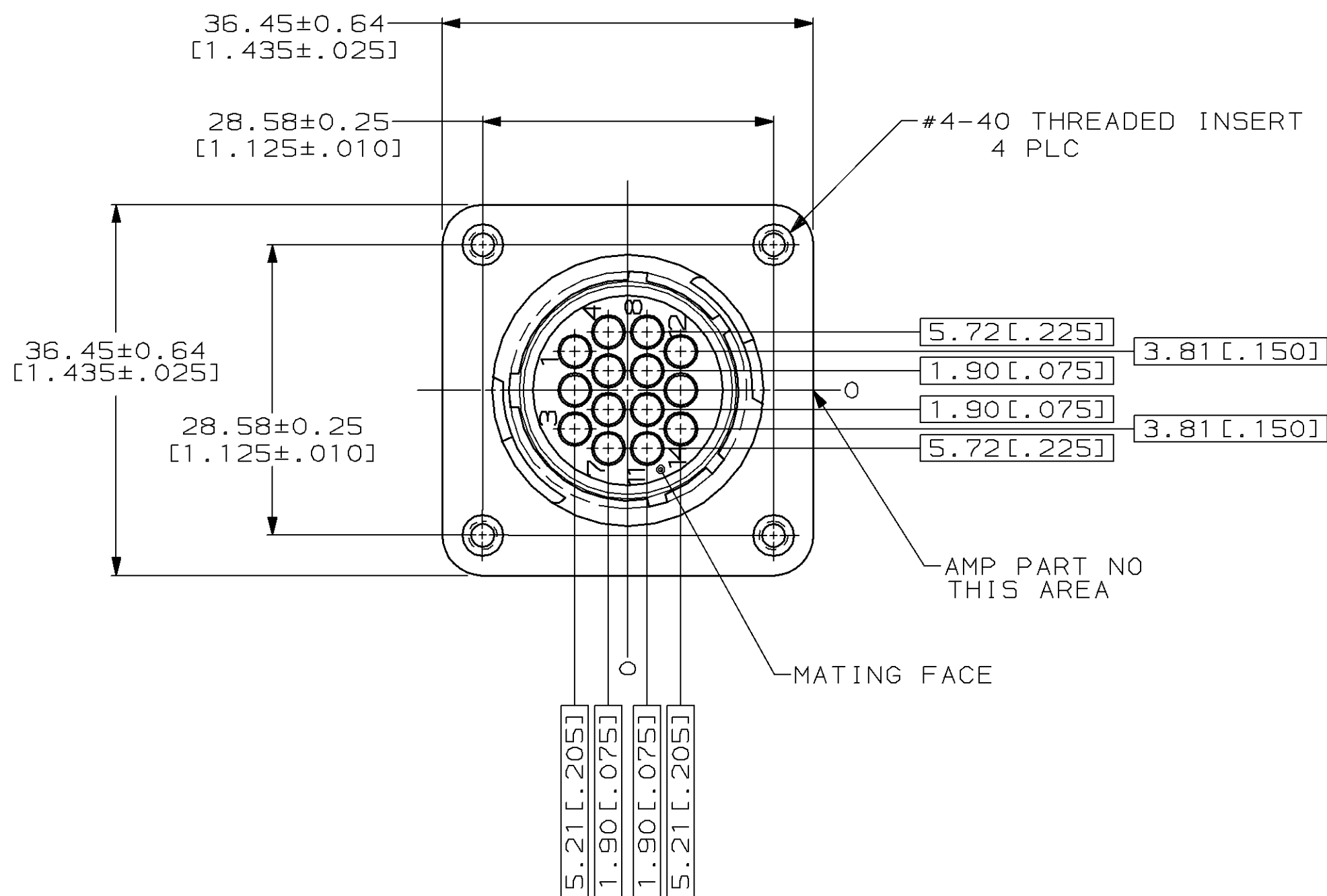


MOD		LOC		DIST		REVISIONS				
ZONE	LTR	DESCRIPTION	DATE	APPD						
4	BD	35	P	F	A	REDRAWN W/O CHANGE PER EC 0020-600-94	06/21/94	AF		



- CAVITY IDENTIFICATION ON FRONT AND REAR FACE.
- WILL ACCEPT FOURTEEN (14) MULTIMATE SOCKET CONTACTS.

THIS DRAWING IS A CONTROLLED DOCUMENT FOR AMP INCORPORATED. IT IS SUBJECT TO CHANGE AND THE CONTROLLING ENGINEERING ORGANIZATION SHOULD BE CONTACTED FOR THE LATEST REVISION.

DO NOT SCALE PRINT. UNLESS SPECIFIED DIMENSIONS IN mm [INCHES] TOLERANCES ON : 2 PLC DEC ± - 3 PLC DEC ± - ANGLES ± -		DR 06-21-94 D.HARDY		AMP Incorporated Harrisburg, PA 17105-3608	
MATERIAL HOUSING: THERMOPLASTIC, BLACK INSERT: BRASS		CHK 06-28-94 R.STONE			
FINISH -		APPD 08-09-94 A.FRANTUM		NAME RECEPTACLE ASSEMBLY W/ THREADED FASTENERS, SHELL SIZE 17, REVERSE SEX, CPC	
		APPD 08-09-94 A.FRANTUM		SIZE C 00779	
		PRODUCT SPEC -		DRAWING NO C=211103	
		APPLICATION SPEC -		SCALE 2:1	
		WEIGHT -		SHEET 1 OF 1	

CUSTOMER DRAWING

单击下面可查看定价，库存，交付和生命周期等信息

[>>TE Connectivity\(泰科\)](#)